



Aviation Ground Support Products

 **COOPER** Interconnect



Wherever airport services require high-voltage, high current interconnecting devices and cables, Cooper Interconnect Aviation Ground Support Products are in demand. With the broadest line of switchplugs, standard plugs and receptacles, plus cable assemblies, Cooper Interconnect Aviation Ground Support Products deliver in the harshest conditions.

Cooper Interconnect Aviation Ground Support Products lead in all phases of AC or DC ground power assemblies, receptacles and remanufacturing of ground power assemblies including:

- Switchplugs, standard plugs for 400-Hertz and 28 Volts through 270 Volts DC, cable assemblies in both banded and under one jacket cables, along with receptacles for 400-Hertz and 28 Volts through 270 Volts DC.
- Cooper Interconnect offers remanufacturing services for AC or DC ground power assemblies. We can also lengthen your assemblies or modify them to a new configuration.
- Cooper Interconnect Aviation Ground Support Products meet all Military Standards governing plug dimensions and performance characteristics.
- Our technical support services include custom engineering for your specialized needs, as well as fast response to issues surrounding the performance of the products; wear issues with plugs and receptacles; and electrical issues including failure analysis of both plugs and receptacles.

CONTENTS

GENERAL INFORMATION	6
MILITARY CROSS REFERENCE INDEX	7
AC SERIES	
STANDARD CABLE ASSY 115/200 VOLTS AC 400 HZ, THREE PHASE	
1680 (AN3430 MOLDED PLUG)	8
1688 (MS90328 MOLDED PLUG)	10
FIELD ATTACHABLE 400 HZ PLUG ASSY 115/200 VOLTS AC 400 HZ, THREE PHASE	
16AO (FIELD-ATTACHABLE PLUG).....	11
16A8 (FIELD-ATTACHABLE PLUG)	12
FIELD REPAIRABLE 400 HZ PLUG ASSY 115/200 VOLTS AC 400 HZ, THREE PHASE	
16W1 (CABLESAVER™ ADAPTERS).....	14
PG11 (PLUG GLOVE™W/MULTI-LAM CONTACTS).....	16
PG12 (PLUG GLOVE™ W/REPLACEABLE MULTI-LAM CONTACTS).....	18
SPECIAL CABLE ASSY 115/200 VOLTS AC 400 HZ, THREE PHASE	
1690 (JUMPER CABLE ASSY)	21
691 (SINGLE POINT REFUELING)	
1701 (EXTENSION CABLE ASSY)	22
1'711 (MOLDED PLUG, MALE)	
ROUND PLUG ASSY 240/416 VOLTS AC 60/400 HZ, THREE PHASE	
3150 (MOLDED PLUG, MALE)	23
3151 (MOLDED PLUG, FEMALE)	
3152 (EXTENSION CABLE ASSY)	
3800 (MOLDED PLUG, MALE)	24
3801 (MOLDED PLUG, FEMALE)	
3802 (EXTENSION CABLE ASSY)	
4200 (MOLDED PLUG, MALE)	25
4300 (MOLDED PLUG, FEMALE)	
4400 (EXTENSION CABLE ASSY)	
B1-B PLUG ASSY 240/480 VOLTS AC 400 HZ, THREE PHASE	
1810 (B1-B MOLDED PLUG).....	26
SWITCH PLUG ASSY 115/200 VOLTS AC 400 HZ, THREE PHASE	
7706 (SWITCH PLUG)	27
FIELD REPAIRABLE SWITCH PLUG ASSY 115/200 VOLTS AC 400 HZ, THREE PHASE	
77WO (CABLESAVER™ ADAPTER SWITCH PLUG).....	29
RECEPTACLE ASSY 115/200 VOLTS AC 400 HZ. THREE PHASE	
2550 (AN3114 AC RECEPTACLE)	31
2550 (MS90362 AC RECEPTACLE).....	32
1940 (AC RECEPTACLE, FEMALE)	33
RECEPTACLE REPAIRABLE ASSY 115/200 VOLTS AC 400 HZ, THREE PHASE	
2550 (SIMILAR TO AN3114 AC RECEPTACLE)	34
2550 (SIMILAR TO MS90362 AC RECEPTACLE)	35
ROUND RECEPTACLE ASSY 240/416 VOLTS AC 400 HZ, THREE PHASE	
4121 (AC RECEPTACLE, MALE)	36
4122 (AC RECEPTACLE, FEMALE)	
4123 (AC RECEPTACLE, MALE)	37
4124 (AC RECEPTACLE, FEMALE)	
4171 (AC RECEPTACLE, MALE)	38
4172 (AC RECEPTACLE, FEMALE)	

CONTENTS

AC SERIES (CONT.)

DUST CAPS	39
REPAIR KITS 115/200 VOLTS AC 400HZ, THREE PHASE	
1680 (AN3430 & MS90328 MOLDED PLUG)t40	
16W1 (CABLESAVER™ ADAPTERS).....	41
PG11 (PLUG GLOVE™W/MULTI-LAM CONTACTS)	42
PG12 (PLUG GLOVE™ W/ REPLACEABLE MULTI-LAM CONTACTS).....	43
7700 (SWITCH PLUG)	45
77WO (CABLESAVER™ ADAPTER SWITCH PLUG).....	46
16A8 (FIELD ATTACHABLE PLUG)	47
REPAIR KITS 240/480 VOLTS AC 400HZ, THREE PHASE	
1810 (B1-B MOLDED PLUG).....	49
AC PLUG GLOVE REPLACEABLE BOOT	50

DC SERIES

STANDARD CABLE ASSY 28 VOLTS DC	
1620 (AN2551 MOLDED PLUG)	51
1627 (MS90347 MOLDED PLUG)	52
SPECIAL CABLE ASSY 28 VOLTS DC	
1480 (MOLDED PLUG, MALE)	53
1490 (EXTENSION CABLE ASSY)	
1730 (SINGLE POINT REFUELING)	
SPECIAL CABLE ASSY 28 VOLTS DC JET STARTING	
2201 (MOLDED PLUG)	54
2204 (MS25019 MOLDED PLUG)	
RECEPTACLE ASSY 28 VOLTS DC	
1990 (AN2552 DC RECEPTACLE) 55	
1990 (MS25018 DC RECEPTACLE).....	56
1991 (DC RECEPTACLE, FEMALE)	57
RECEPTACLE REPAIRABLE ASSY 28 VOLTS DC	
1990 (SIMILAR TO AN2552 DC RECEPTACLE)	58
1990 (SIMILAR TO MS25018 DC RECEPTACLE)	59
DUST CAPS	60
REPAIR KITS 28 VOLTS DC	
1620 (AN2551 & MS90347 MOLDED PLUG)	61

Y ADAPTERS

AC AND DC	62
-----------------	----

AC OUTLET ASSEMBLY WALL MOUNTED

J-BOX WITH 4122 RECEPTACLE 240/416 VOLTS AC 400 HZ, THREE PHASE	
4180 J-BOX	63

SPECIAL APPLICATION

SAFETY SERVICE SYSTEM	64
CABLE RETRIEVER	65

400HZ JACKET CABLES

#2 AWG COMPOSITE	67
1/0 AWG COMMAND PLUS	

2/0 AWG COMMAND PLUS

270 VDC RECEPTACLE AND PLUG	68
-----------------------------------	----

SUPERSEDED MILITARY INDEX.....	69
--------------------------------	----

GENERAL INFORMATION

SPECIAL FEATURES

- ALL CABLE ASSEMBLIES HAVE INTEGRALLY MOLDED CONTACTS.
- HEX-CRIMPED CONTACT TERMINATIONS FOR MAXIMUM RELIABILITY.
- SPECIAL LENGTHS, WIRE GAGES, OR CABLE CONFIGURATIONS ARE AVAILABLE UPON REQUEST.

STANDARD DATA

- CONTACTS HIGH CONDUCTIVITY COPPER ALLOY
- CABLE ASSEMBLY BODY MOLDED SYNTHETIC RUBBER
- CABLE SYNTHETIC RUBBER INSULATED AND JACKETED. CONSULT FACTORY FOR OTHER AVAILABLE VARIATIONS.

PART NUMBER EXPLANATION

- 1680 - 0102 - 0030

LAST FOUR (4) DIGITS DENOTE LENGTH OF ASSEMBLY TO NEAREST FOOT.

WIRE GAGE AND CONFIGURATION.

SERIES: TYPE OF CONNECTOR

FOR EXAMPLE: PART NUMBER SHOWN ABOVE IS A 1680 SERIES AC CONNECTOR WITH FOUR 2/0 AWG SINGLE CONDUCTORS, BANDED WITH STAINLESS STEEL STRAP AND 30 FEET LONG.

MILITARY CROSS REFERENCE INDEX

GOVERNMENT DESIGNATIONS	CI DESIGNATIONS	PAGE NUMBER	GOVERNMENT DESIGNATIONS	CI DESIGNATIONS	PAGE NUMBER
AN2551-A10 AN2551-A20 AN2551-A30 AN2551-B10 AN2551-B20 AN2551-B30 AN2551-C10 AN2551-C20 AN2551-C30 AN2551-D10 AN2551-D20 AN2551-D30 AN2551-E20 AN2551-E30	1620-0253-0010 1620-0253-0020 1620-0253-0030 1620-0303-0010 1620-0303-0020 1620-0303-0030 1620-0153-0010 1620-0153-0020 1620-0153-0030 1620-0103-0010 1620-0103-0020 1620-0103-0030 1620-0003-0020 1620-0003-0030	48 ↑ ↓ 48	MS90328-19M MS90328-20M MS90328-21M MS90328-22M MS90328-23M MS90328-24M MS90328-25M MS90328-26M MS90328-27M MS90328-28M MS90328-29M MS90328-30M MS90328-31M MS90328-32M MS90328-33M MS90328-34M MS90328-35M MS90328-36M	1688-0102-0020 1688-0102-0030 1688-0102-0040 1688-0102-0060 1688-0102-0080 1688-0102-0100 1688-0151-0020 1688-0151-0030 1688-0151-0040 1688-0151-0060 1688-0151-0080 1688-0151-0100 1688-0101-0020 1688-0101-0030 1688-0101-0040 1688-0101-0060 1688-0101-0080 1688-0101-0100	7 ↑ ↓ 7
AN3430-1A AN3430-2A AN3430-3 AN3430-4 AN3430-5 AN3430-6 AN3430-7 AN3430-8	1680-0151-0020 1680-0151-0040 1680-0152-0020 1680-0152-0040 1680-0151-0030 1680-0152-0030 1680-0151-0060 1680-0152-0060	5 ↑ ↓ 5	MS90347-7M MS90347-8M MS90347-9M MS90347-10M MS90347-11M MS90347-12M MS90347-13M MS90347-14M MS90347-15M MS90347-16M MS90347-17M MS90347-18M MS90347-19M MS90347-20M MS90347-21M MS90347-22M MS90347-23M MS90347-24M	1627-0153-0020 1627-0153-0030 1627-0153-0040 1627-0153-0060 1627-0153-0080 1627-0153-0100 1627-0103-0020 1627-0103-0030 1627-0103-0040 1627-0103-0060 1627-0103-0080 1627-0103-0100 1627-0003-0020 1627-0003-0030 1627-0003-0040 1627-0003-0060 1627-0003-0080 1627-0003-0100	49 ↑ ↓ 49
MS24121-1	1730-0253-0060	50			
MS24208-1	1691-0301-0060	17			
MS25019-20M MS25019-30M MS25019-40M MS25019-60M MS25019-80M MS25019-100M	2204-0007-0020 2204-0007-0030 2204-0007-0040 2204-0007-0060 2204-0007-0080 2204-0007-0100	51 ↑ ↓ 51			
MS90328-13M MS90328-14M MS90328-15M MS90328-16M MS90328-17M MS90328-18M	1688-0152-0020 1688-0152-0030 1688-0152-0040 1688-0152-0060 1688-0152-0080 1688-0152-0100	7 ↑ ↓ 7	ADDITIONAL MILITARY STANDARDS ARE AVAILABLE. REFER TO PAGE 69 FOR LISTINGS.		

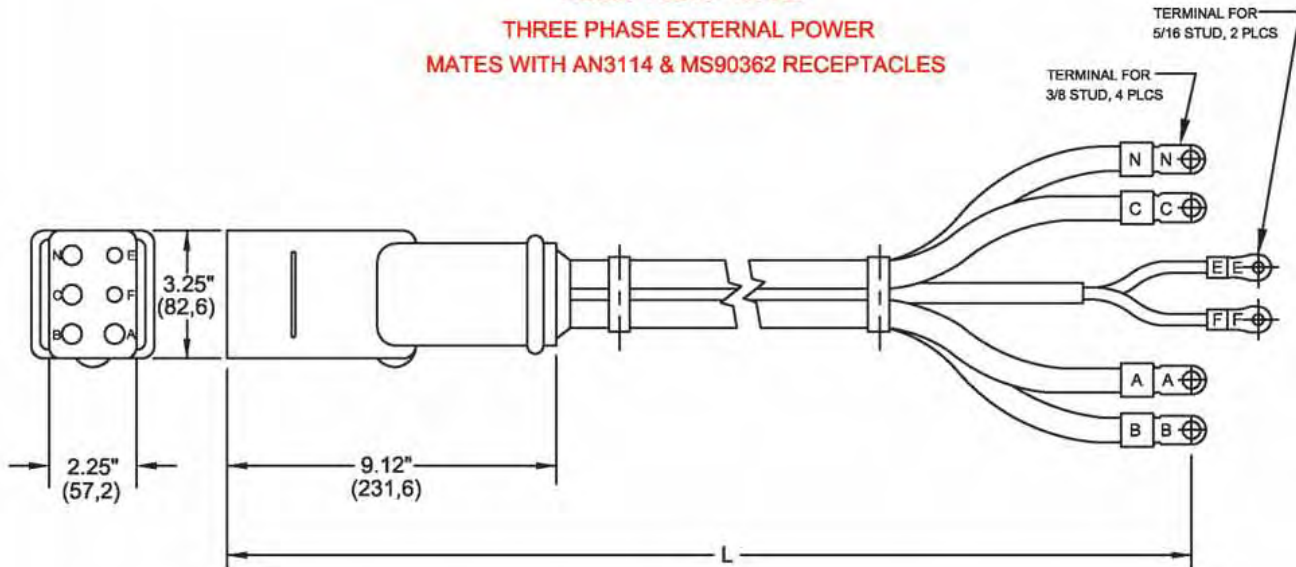
1680 SERIES

AC CABLE ASSEMBLIES

115/200 VOLTS 400 HZ

THREE PHASE EXTERNAL POWER

MATES WITH AN3114 & MS90362 RECEPTACLES



BURTON PART NO.	LENGTH FEET	LENGTH METERS	MILITARY PART NO.	CABLE DESCRIPTION	WT./ASSY LBS.	CABLE CONFIGURATION
1680-0151-0020	20	6.10	AN3430-1A	4-1/0 AWG SINGLE CONDUCTORS, 1-12/2 CONTROL LEAD, SILVER PLATED CONTACTS, AND STAINLESS STEEL BANDS.	48	
1680-0151-0030	30	9.14	AN3430-5		71	
1680-0151-0040	40	12.19	AN3430-2A		94	
1680-0151-0060	60	18.29	AN3430-7		139	
1680-0151-0080	80	24.38	—		184	
1680-0151-0100	100	30.48	—	230		
1680-0101-0020	20	6.10	—	4-2/0 AWG SINGLE CONDUCTORS, 1-12/2 CONTROL LEAD, SILVER PLATED CONTACTS, AND STAINLESS STEEL BANDS.	60	
1680-0101-0030	30	9.14	—		88	
1680-0101-0040	40	12.19	—		116	
1680-0101-0060	60	18.29	—		172	
1680-0101-0080	80	24.38	—		228	
1680-0101-0100	100	30.48	—	284		
1680-0152-0020	20	6.10	AN3430-3	4-1/0 AWG SINGLE CONDUCTORS, NO CONTROL LEADS, E AND F SHUNTED IN PLUG, SILVER PLATED CONTACTS, AND STAINLESS STEEL BANDS	45	
1680-0152-0030	30	9.14	AN3430-6		68	
1680-0152-0040	40	12.19	AN3430-4		88	
1680-0152-0060	60	18.29	AN3430-8		130	
1680-0152-0080	80	24.38	—		173	
1680-0152-0100	100	30.48	—	213		
1680-0102-0020	20	6.10	—	4-2/0 AWG SINGLE CONDUCTORS, NO CONTROL LEADS, E AND F SHUNTED IN PLUG, SILVER PLATED CONTACTS, AND STAINLESS STEEL BANDS	57	
1680-0102-0030	30	9.14	—		83	
1680-0102-0040	40	12.19	—		110	
1680-0102-0060	60	18.29	—		162	
1680-0102-0080	80	24.38	—		215	
1680-0102-0100	100	30.48	—	268		
1680-0165-0020	20	6.10	—	4-1/0 AWG SINGLE CONDUCTORS, 1-12/2 CONTROL LEADS, E AND F SHUNTED IN PLUG, SILVER PLATED CONTACTS, AND STAINLESS STEEL BANDS	48	
1680-0165-0030	30	9.14	—		71	
1680-0165-0040	40	12.19	—		94	
1680-0165-0060	60	18.29	—		139	
1680-0165-0080	80	24.38	—		184	
1680-0165-0100	100	30.48	—	229		
1680-0111-0020	20	6.10	—	4-2/0 AWG SINGLE CONDUCTORS, 1-12/2 CONTROL LEADS, E AND F SHUNTED IN PLUG, SILVER PLATED CONTACTS, AND STAINLESS STEEL BANDS	60	
1680-0111-0030	30	9.14	—		88	
1680-0111-0040	40	12.19	—		116	
1680-0111-0060	60	18.29	—		172	
1680-0111-0080	80	24.38	—		228	
1680-0111-0100	100	30.48	—	284		

SPECIAL LENGTHS, WIRE GAGES OR CABLE CONFIGURATIONS ARE AVAILABLE UPON REQUEST.

1680 SERIES

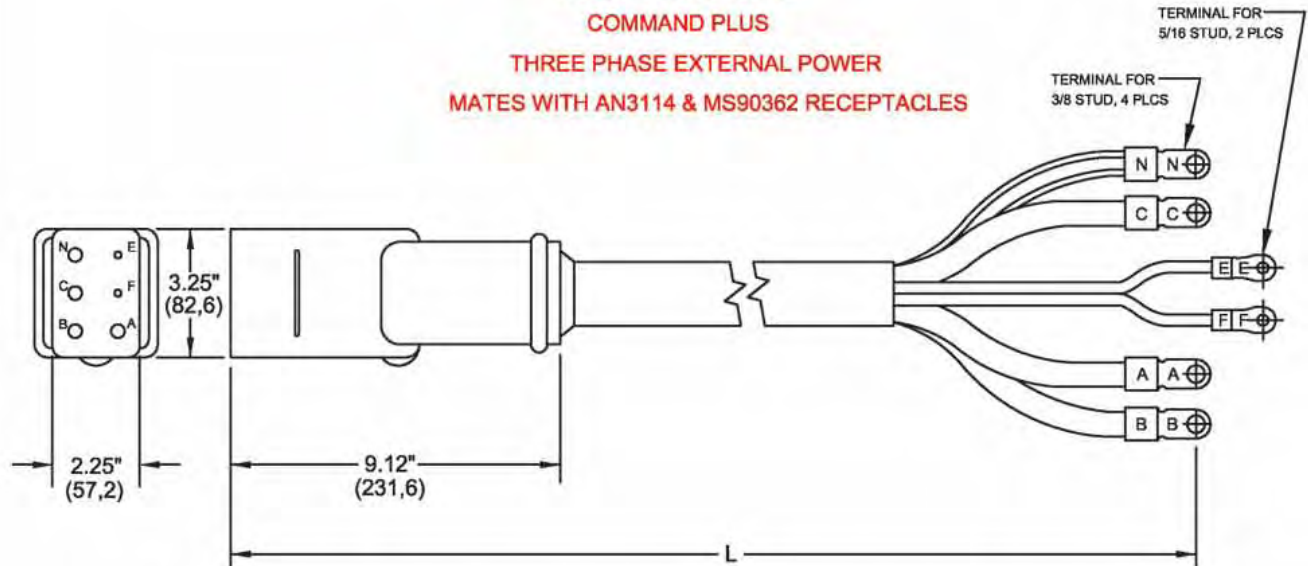
AC CABLE ASSEMBLIES

115/200 VOLTS 400 HZ

COMMAND PLUS

THREE PHASE EXTERNAL POWER

MATES WITH AN3114 & MS90362 RECEPTACLES



BURTON PART NO.	LENGTH FEET	LENGTH METERS	CABLE DESCRIPTION	WT./ASSY LBS.	CABLE CONFIGURATION
1680-5151-0020	20	6.10	3-1/0 AWG SINGLE CONDUCTORS, 3-6 AWG SINGLE CONDUCTORS, 2-12 AWG CONTROL LEAD, ALL UNDER NEOPRENE JACKET. SILVER PLATED CONTACTS	48	
1680-5151-0030	30	9.14		71	
1680-5151-0040	40	12.19		94	
1680-5151-0060	60	18.29		140	
1680-5151-0080	80	24.38		186	
1680-5151-0100	100	30.48		232	
1680-5101-0020	20	6.10	3-2/0 AWG SINGLE CONDUCTORS, 3-4 AWG SINGLE CONDUCTORS, 2-12 AWG CONTROL LEAD, ALL UNDER NEOPRENE JACKET. SILVER PLATED CONTACTS	57	
1680-5101-0030	30	9.14		84	
1680-5101-0040	40	12.19		111	
1680-5101-0060	60	18.29		166	
1680-5101-0080	80	24.38		221	
1680-5101-0100	100	30.48		276	
1680-5152-0020	20	6.10	3-1/0 AWG SINGLE CONDUCTORS, 3-6 AWG SINGLE CONDUCTORS, ALL UNDER NEOPRENE JACKET. SILVER PLATED CONTACTS	48	
1680-5152-0030	30	9.14		71	
1680-5152-0040	40	12.19		94	
1680-5152-0060	60	18.29		140	
1680-5152-0080	80	24.38		186	
1680-5152-0100	100	30.48		232	
1680-5102-0020	20	6.10	3-2/0 AWG SINGLE CONDUCTORS, 3-4 AWG SINGLE CONDUCTORS, ALL UNDER NEOPRENE JACKET. SILVER PLATED CONTACTS	57	
1680-5102-0030	30	9.14		84	
1680-5102-0040	40	12.19		111	
1680-5102-0060	60	18.29		166	
1680-5102-0080	80	24.38		221	
1680-5102-0100	100	30.48		276	
1680-5165-0020	20	6.10	3-1/0 AWG SINGLE CONDUCTORS, 3-6 AWG SINGLE CONDUCTORS, 2-12 AWG CONTROL LEAD, ALL UNDER NEOPRENE JACKET. SILVER PLATED CONTACTS	48	
1680-5165-0030	30	9.14		71	
1680-5165-0040	40	12.19		94	
1680-5165-0060	60	18.29		140	
1680-5165-0080	80	24.38		186	
1680-5165-0100	100	30.48		232	
1680-5111-0020	20	6.10	3-2/0 AWG SINGLE CONDUCTORS, 3-4 AWG SINGLE CONDUCTORS, 2-12 AWG CONTROL LEAD, ALL UNDER NEOPRENE JACKET. SILVER PLATED CONTACTS	57	
1680-5111-0030	30	9.14		84	
1680-5111-0040	40	12.19		111	
1680-5111-0060	60	18.29		166	
1680-5111-0080	80	24.38		221	
1680-5111-0100	100	30.48		276	

SPECIAL LENGTHS, WIRE GAGES OR CABLE CONFIGURATIONS ARE AVAILABLE UPON REQUEST.

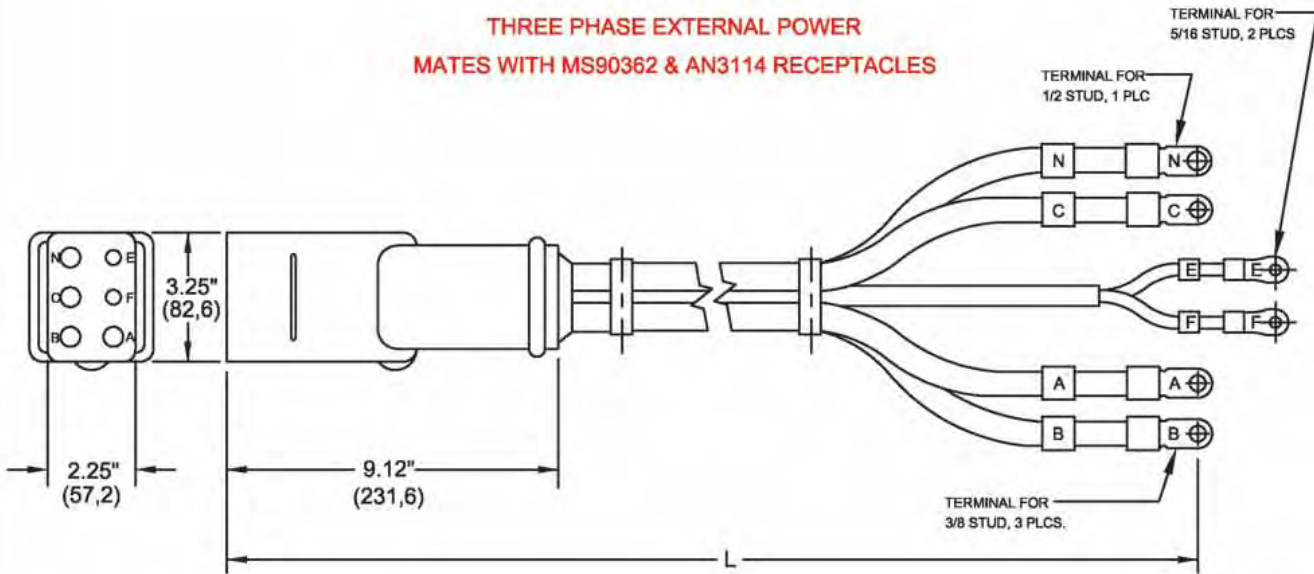
1688 SERIES

AC CABLE ASSEMBLIES

115/200 VOLTS 400 HZ

THREE PHASE EXTERNAL POWER

MATES WITH MS90362 & AN3114 RECEPTACLES



BURTON PART NO.	LENGTH FEET	LENGTH METERS	MILITARY PART NO.	CABLE DESCRIPTION	WT./ASSY LBS.	CABLE CONFIGURATION
1688-0152-0020	20	6.10	MS90328-13M	4-1/0 AWG SINGLE CONDUCTORS, NO CONTROL LEADS, E AND F SHUNTED IN PLUG, SILVER PLATED CONTACTS, AND NON-METALLIC BANDS	46	
1688-0152-0030	30	9.14	MS90328-14M		69	
1688-0152-0040	40	12.19	MS90328-15M		89	
1688-0152-0060	60	18.29	MS90328-16M		131	
1688-0152-0080	80	24.38	MS90328-17M		174	
1688-0152-0100	100	30.48	MS90328-18M	214		
1688-0102-0020	20	6.10	MS90328-19M	4-2/0 AWG SINGLE CONDUCTORS, NO CONTROL LEADS, E AND F SHUNTED IN PLUG, SILVER PLATED CONTACTS, AND NON-METALLIC BANDS	58	
1688-0102-0030	30	9.14	MS90328-20M		84	
1688-0102-0040	40	12.19	MS90328-21M		111	
1688-0102-0060	60	18.29	MS90328-22M		163	
1688-0102-0080	80	24.38	MS90328-23M		216	
1688-0102-0100	100	30.48	MS90328-24M	269		
1688-0151-0020	20	6.10	MS90328-25M	4-1/0 AWG SINGLE CONDUCTORS, 1-12/2 CONTROL LEAD, SILVER PLATED CONTACTS, AND NON-METALLIC BANDS.	49	
1688-0151-0030	30	9.14	MS90328-26M		72	
1688-0151-0040	40	12.19	MS90328-27M		95	
1688-0151-0060	60	18.29	MS90328-28M		140	
1688-0151-0080	80	24.38	MS90328-29M		185	
1688-0151-0100	100	30.48	MS90328-30M	231		
1688-0101-0020	20	6.10	MS90328-31M	4-2/0 AWG SINGLE CONDUCTORS, 1-12/2 CONTROL LEAD, SILVER PLATED CONTACTS, AND NON-METALLIC BANDS.	61	
1688-0101-0030	30	9.14	MS90328-32M		89	
1688-0101-0040	40	12.19	MS90328-33M		117	
1688-0101-0060	60	18.29	MS90328-34M		173	
1688-0101-0080	80	24.38	MS90328-35M		229	
1688-0101-0100	100	30.48	MS90328-36M	285		
1688-0165-0020	20	6.10	---	4-1/0 AWG SINGLE CONDUCTORS, 1-12/2 CONTROL LEADS, E AND F SHUNTED IN PLUG, SILVER PLATED CONTACTS, AND NON-METALLIC BANDS	49	
1688-0165-0030	30	9.14	---		72	
1688-0165-0040	40	12.19	---		95	
1688-0165-0060	60	18.29	---		140	
1688-0165-0080	80	24.38	---		185	
1688-0165-0100	100	30.48	---	231		
1688-0111-0020	20	6.10	---	4-2/0 AWG SINGLE CONDUCTORS, 1-12/2 CONTROL LEADS, E AND F SHUNTED IN PLUG, SILVER PLATED CONTACTS, AND NON-METALLIC BANDS	61	
1688-0111-0030	30	9.14	---		89	
1688-0111-0040	40	12.19	---		117	
1688-0111-0060	60	18.29	---		173	
1688-0111-0080	80	24.38	---		229	
1688-0111-0100	100	30.48	---	285		

SPECIAL LENGTHS, WIRE GAGES OR CABLE CONFIGURATIONS ARE AVAILABLE UPON REQUEST.

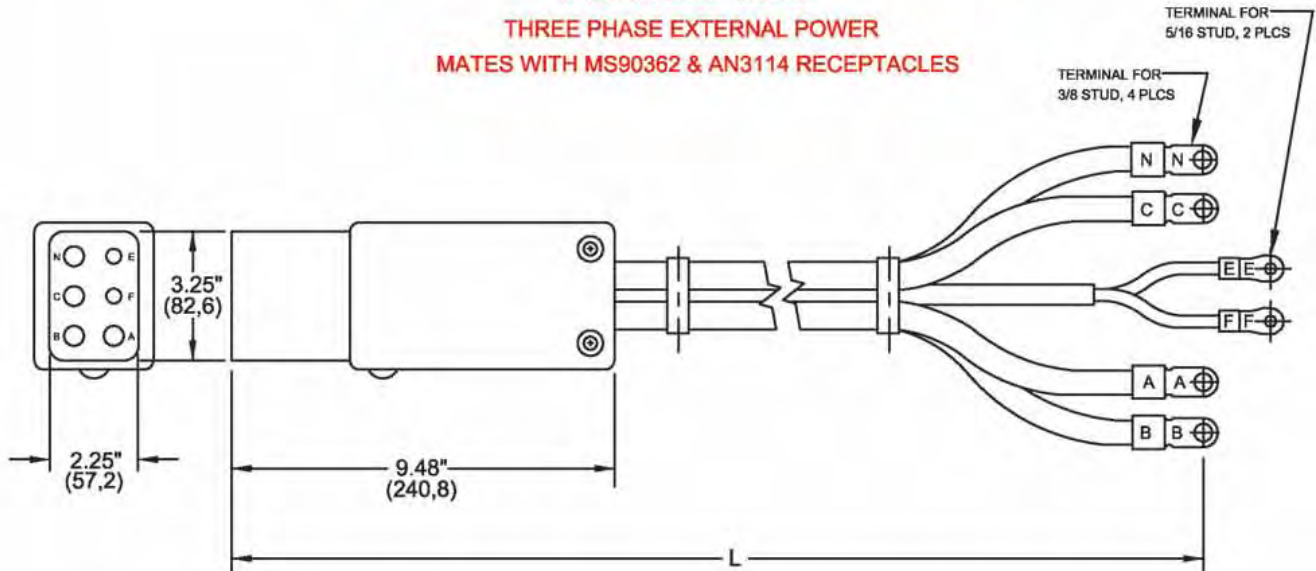
16A0 SERIES

AC FIELD ATTACHABLE PLUG ASSY W/ MULTI-LAM CONTACTS

115/200 VOLTS 400 HZ

THREE PHASE EXTERNAL POWER

MATES WITH MS90362 & AN3114 RECEPTACLES



BURTON PART NO.	LENGTH FEET	LENGTH METERS	CABLE DESCRIPTION	WT./ASSY LBS.	CABLE CONFIGURATION
16A0-0151-0020	20	6.10	4-1/0 AWG SINGLE CONDUCTORS, 1-12/2 CONTROL LEAD, SILVER PLATED CONTACTS, AND STAINLESS STEEL BANDS.	50	
16A0-0151-0030	30	9.14		73	
16A0-0151-0040	40	12.19		96	
16A0-0151-0060	60	18.29		141	
16A0-0151-0080	80	24.38		186	
16A0-0151-0100	100	30.48	232		
16A0-0101-0020	20	6.10	4-2/0 AWG SINGLE CONDUCTORS, 1-12/2 CONTROL LEAD, SILVER PLATED CONTACTS, AND STAINLESS STEEL BANDS.	82	
16A0-0101-0030	30	9.14		90	
16A0-0101-0040	40	12.19		118	
16A0-0101-0060	60	18.29		174	
16A0-0101-0080	80	24.38		230	
16A0-0101-0100	100	30.48	286		
16A0-0152-0020	20	6.10	4-1/0 AWG SINGLE CONDUCTORS, NO CONTROL LEADS, E AND F SHUNTED IN PLUG, SILVER PLATED CONTACTS, AND STAINLESS STEEL BANDS.	47	
16A0-0152-0030	30	9.14		70	
16A0-0152-0040	40	12.19		90	
16A0-0152-0060	60	18.29		132	
16A0-0152-0080	80	24.38		175	
16A0-0152-0100	100	30.48	215		
16A0-0102-0020	20	6.10	4-2/0 AWG SINGLE CONDUCTORS, NO CONTROL LEADS, E AND F SHUNTED IN PLUG, SILVER PLATED CONTACTS, AND STAINLESS STEEL BANDS.	59	
16A0-0102-0030	30	9.14		85	
16A0-0102-0040	40	12.19		112	
16A0-0102-0060	60	18.29		164	
16A0-0102-0080	80	24.38		217	
16A0-0102-0100	100	30.48	270		
16A0-0165-0020	20	6.10	4-1/0 AWG SINGLE CONDUCTORS, 1-12/2 CONTROL LEADS, E AND F SHUNTED IN PLUG, SILVER PLATED CONTACTS, AND STAINLESS STEEL BANDS.	50	
16A0-0165-0030	30	9.14		73	
16A0-0165-0040	40	12.19		96	
16A0-0165-0060	60	18.29		141	
16A0-0165-0080	80	24.38		186	
16A0-0165-0100	100	30.48	232		
16A0-0111-0020	20	6.10	4-2/0 AWG SINGLE CONDUCTORS, 1-12/2 CONTROL LEADS, E AND F SHUNTED IN PLUG, SILVER PLATED CONTACTS, AND STAINLESS STEEL BANDS.	62	
16A0-0111-0030	30	9.14		90	
16A0-0111-0040	40	12.19		118	
16A0-0111-0060	60	18.29		174	
16A0-0111-0080	80	24.38		230	
16A0-0111-0100	100	30.48	286		

SPECIAL LENGTHS, WIRE GAGES OR CABLE CONFIGURATIONS ARE AVAILABLE UPON REQUEST.

16A0 SERIES

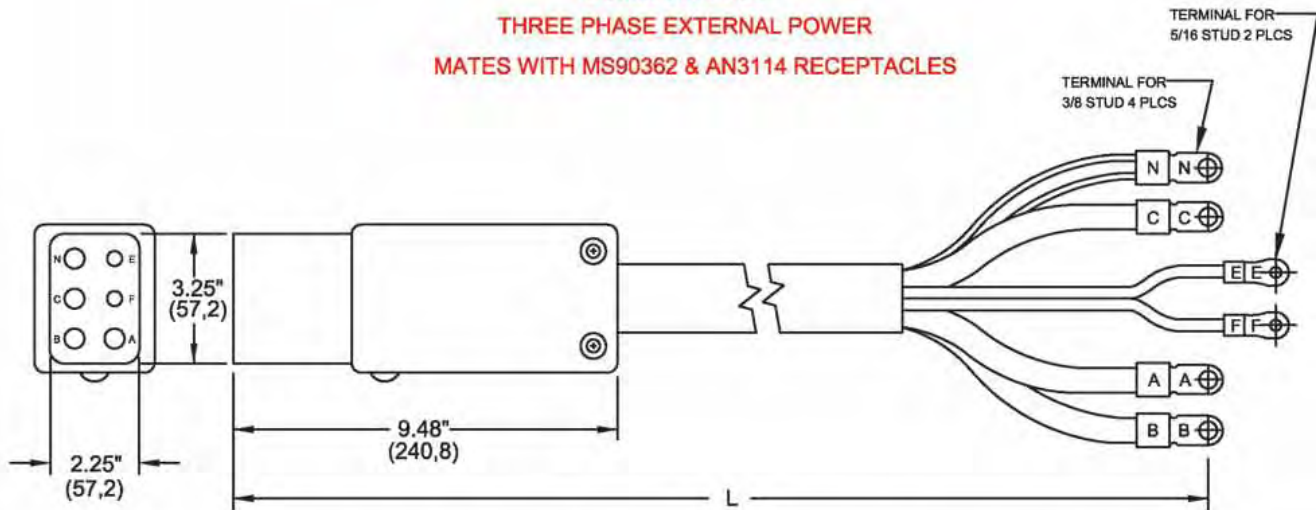
AC FIELD-ATTACHABLE PLUG ASSY W/ MULTI-LAM CONTACTS

115/200 VOLTS 400 HZ

COMMAND PLUS

THREE PHASE EXTERNAL POWER

MATES WITH MS90362 & AN3114 RECEPTACLES



BURTON PART NO.	LENGTH FEET	LENGTH METERS	CABLE DESCRIPTION	WT./ASSY LBS.	CABLE CONFIGURATION
16A0-5151-0020	20	6.10	3-1/0 AWG SINGLE CONDUCTORS,	49	
16A0-5151-0030	30	9.14	3-6 AWG SINGLE CONDUCTORS,	72	
16A0-5151-0040	40	12.19	2-12 AWG CONTROL LEAD,	95	
16A0-5151-0060	60	18.29	ALL UNDER NEOPRENE JACKET.	141	
16A0-5151-0080	80	24.38	SILVER PLATED CONTACTS	187	
16A0-5151-0100	100	30.48		233	
16A0-5101-0020	20	6.10	3-2/0 AWG SINGLE CONDUCTORS,	58	
16A0-5101-0030	30	9.14	3-4 AWG SINGLE CONDUCTORS,	85	
16A0-5101-0040	40	12.19	2-12 AWG CONTROL LEAD,	112	
16A0-5101-0060	60	18.29	ALL UNDER NEOPRENE JACKET.	167	
16A0-5101-0080	80	24.38	SILVER PLATED CONTACTS	222	
16A0-5101-0100	100	30.48		277	
16A0-5152-0020	20	6.10	3-1/0 AWG SINGLE CONDUCTORS,	49	
16A0-5152-0030	30	9.14	3-6 AWG SINGLE CONDUCTORS,	72	
16A0-5152-0040	40	12.19	2-12 AWG CONTROL LEAD,	95	
16A0-5152-0060	60	18.29	ALL UNDER NEOPRENE JACKET.	141	
16A0-5152-0080	80	24.38	SILVER PLATED CONTACTS	187	
16A0-5152-0100	100	30.48		233	
16A0-5102-0020	20	6.10	3-2/0 AWG SINGLE CONDUCTORS,	58	
16A0-5102-0030	30	9.14	3-4 AWG SINGLE CONDUCTORS,	85	
16A0-5102-0040	40	12.19	2-12 AWG CONTROL LEAD,	112	
16A0-5102-0060	60	18.29	ALL UNDER NEOPRENE JACKET.	167	
16A0-5102-0080	80	24.38	SILVER PLATED CONTACTS	222	
16A0-5102-0100	100	30.48		277	
16A0-5165-0020	20	6.10	3-1/0 AWG SINGLE CONDUCTORS,	49	
16A0-5165-0030	30	9.14	3-6 AWG SINGLE CONDUCTORS,	72	
16A0-5165-0040	40	12.19	2-12 AWG CONTROL LEAD,	95	
16A0-5165-0060	60	18.29	E & F SHUNTED IN PLUG	141	
16A0-5165-0080	80	24.38	ALL UNDER NEOPRENE JACKET.	187	
16A0-5165-0100	100	30.48	SILVER PLATED CONTACTS	233	
16A0-5111-0020	20	6.10	3-2/0 AWG SINGLE CONDUCTORS,	58	
16A0-5111-0030	30	9.14	3-4 AWG SINGLE CONDUCTORS,	85	
16A0-5111-0040	40	12.19	2-12 AWG CONTROL LEAD,	112	
16A0-5111-0060	60	18.29	E & F SHUNTED IN PLUG	167	
16A0-5111-0080	80	24.38	ALL UNDER NEOPRENE JACKET.	222	
16A0-5111-0100	100	30.48	SILVER PLATED CONTACTS	277	

SPECIAL LENGTHS, WIRE GAGES OR CABLE CONFIGURATIONS ARE AVAILABLE UPON REQUEST.

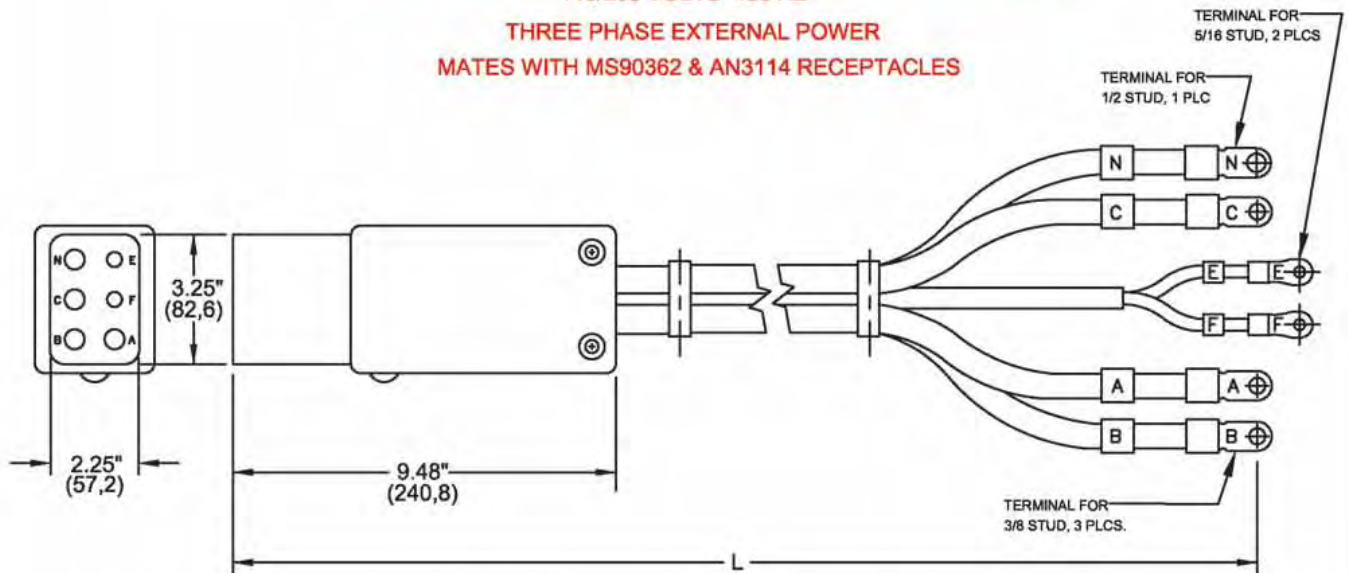
16A8 SERIES

AC FIELD-ATTACHABLE PLUG ASSY W/ MULTI-LAM CONTACTS

115/200 VOLTS 400 HZ

THREE PHASE EXTERNAL POWER

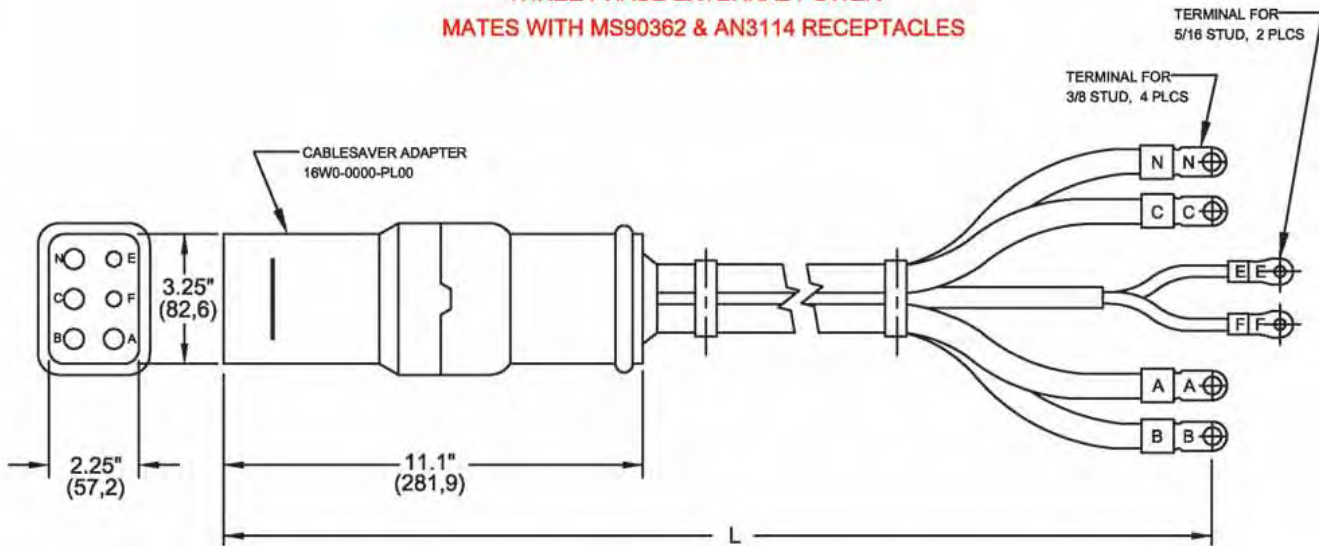
MATES WITH MS90362 & AN3114 RECEPTACLES



BURTON PART NO.	LENGTH FEET	LENGTH METERS	CABLE DESCRIPTION	WT./ASSY LBS.	CABLE CONFIGURATION
16A8-0151-0020	20	6.10	4-1/0 AWG SINGLE CONDUCTORS, 1-12/2 CONTROL LEAD, SILVER PLATED CONTACTS, AND STAINLESS STEEL BANDS.	50	
16A8-0151-0030	30	9.14		73	
16A8-0151-0040	40	12.19		96	
16A8-0151-0060	60	18.29		141	
16A8-0151-0080	80	24.38		186	
16A8-0151-0100	100	30.48		232	
16A8-0101-0020	20	6.10	4-2/0 AWG SINGLE CONDUCTORS, 1-12/2 CONTROL LEAD, SILVER PLATED CONTACTS, AND STAINLESS STEEL BANDS.	62	
16A8-0101-0030	30	9.14		90	
16A8-0101-0040	40	12.19		118	
16A8-0101-0060	60	18.29		174	
16A8-0101-0080	80	24.38		230	
16A8-0101-0100	100	30.48		286	
16A8-0152-0020	20	6.10	4-1/0 AWG SINGLE CONDUCTORS, NO CONTROL LEADS, E AND F SHUNTED IN PLUG, SILVER PLATED CONTACTS, AND STAINLESS STEEL BANDS.	47	
16A8-0152-0030	30	9.14		70	
16A8-0152-0040	40	12.19		90	
16A8-0152-0060	60	18.29		132	
16A8-0152-0080	80	24.38		175	
16A8-0152-0100	100	30.48		215	
16A8-0102-0020	20	6.10	4-2/0 AWG SINGLE CONDUCTORS, NO CONTROL LEADS, E AND F SHUNTED IN PLUG, SILVER PLATED CONTACTS, AND STAINLESS STEEL BANDS.	59	
16A8-0102-0030	30	9.14		85	
16A8-0102-0040	40	12.19		112	
16A8-0102-0060	60	18.29		164	
16A8-0102-0080	80	24.38		217	
16A8-0102-0100	100	30.48		270	
16A8-0165-0020	20	6.10	4-1/0 AWG SINGLE CONDUCTORS, 1-12/2 CONTROL LEADS, E AND F SHUNTED IN PLUG, SILVER PLATED CONTACTS, AND STAINLESS STEEL BANDS.	50	
16A8-0165-0030	30	9.14		73	
16A8-0165-0040	40	12.19		96	
16A8-0165-0060	60	18.29		141	
16A8-0165-0080	80	24.38		186	
16A8-0165-0100	100	30.48		232	
16A8-0111-0020	20	6.10	4-2/0 AWG SINGLE CONDUCTORS, 1-12/2 CONTROL LEADS, E AND F SHUNTED IN PLUG, SILVER PLATED CONTACTS, AND STAINLESS STEEL BANDS.	62	
16A8-0111-0030	30	9.14		90	
16A8-0111-0040	40	12.19		118	
16A8-0111-0060	60	18.29		174	
16A8-0111-0080	80	24.38		230	
16A8-0111-0100	100	30.48		286	

SPECIAL LENGTHS, WIRE GAGES OR CABLE CONFIGURATIONS ARE AVAILABLE UPON REQUEST.

16W1 SERIES
AC CABLESAVER™ ADAPTER ASSEMBLIES
115/200 VOLTS 400 HZ
THREE PHASE EXTERNAL POWER
MATES WITH MS90362 & AN3114 RECEPTACLES



BURTON PART NO.	LENGTH FEET	LENGTH METERS	CABLE DESCRIPTION	WT./ASSY LBS.	CABLE CONFIGURATION
16W1-3151-0020	20	6.10	4-1/0 AWG SINGLE CONDUCTORS, 1-1/2" CONTROL LEAD, SILVER PLATED CONTACTS, AND NON-METALLIC BANDS.	52	
16W1-3151-0030	30	9.14		75	
16W1-3151-0040	40	12.19		98	
16W1-3151-0060	60	18.29		143	
16W1-3151-0080	80	24.38		188	
16W1-3151-0100	100	30.48		234	
16W1-3101-0020	20	6.10	4-2/0 AWG SINGLE CONDUCTORS, 1-1/2" CONTROL LEAD, SILVER PLATED CONTACTS, AND NON-METALLIC BANDS.	64	
16W1-3101-0030	30	9.14		92	
16W1-3101-0040	40	12.19		120	
16W1-3101-0060	60	18.29		176	
16W1-3101-0080	80	24.38		232	
16W1-3101-0100	100	30.48		288	
16W1-3152-0020	20	6.10	4-1/0 AWG SINGLE CONDUCTORS, NO CONTROL LEADS, E AND F SHUNTED IN PLUG, SILVER PLATED CONTACTS, AND NON-METALLIC BANDS.	49	
16W1-3152-0030	30	9.14		72	
16W1-3152-0040	40	12.19		92	
16W1-3152-0060	60	18.29		134	
16W1-3152-0080	80	24.38		177	
16W1-3152-0100	100	30.48		217	
16W1-3102-0020	20	6.10	4-2/0 AWG SINGLE CONDUCTORS, NO CONTROL LEADS, E AND F SHUNTED IN PLUG, SILVER PLATED CONTACTS, AND NON-METALLIC BANDS.	61	
16W1-3102-0030	30	9.14		87	
16W1-3102-0040	40	12.19		114	
16W1-3102-0060	60	18.29		166	
16W1-3102-0080	80	24.38		219	
16W1-3102-0100	100	30.48		272	
16W1-3165-0020	20	6.10	4-1/0 AWG SINGLE CONDUCTORS, 1-1/2" CONTROL LEADS, E AND F SHUNTED IN PLUG, SILVER PLATED CONTACTS, AND NON-METALLIC BANDS.	52	
16W1-3165-0030	30	9.14		75	
16W1-3165-0040	40	12.19		98	
16W1-3165-0060	60	18.29		143	
16W1-3165-0080	80	24.38		188	
16W1-3165-0100	100	30.48		234	
16W1-3111-0020	20	6.10	4-2/0 AWG SINGLE CONDUCTORS, 1-1/2" CONTROL LEADS, E AND F SHUNTED IN PLUG, SILVER PLATED CONTACTS, AND NON-METALLIC BANDS.	64	
16W1-3111-0030	30	9.14		92	
16W1-3111-0040	40	12.19		120	
16W1-3111-0060	60	18.29		176	
16W1-3111-0080	80	24.38		232	
16W1-3111-0100	100	30.48		288	

SPECIAL LENGTHS, WIRE GAGES OR CABLE CONFIGURATIONS ARE AVAILABLE UPON REQUEST.

16W1 SERIES

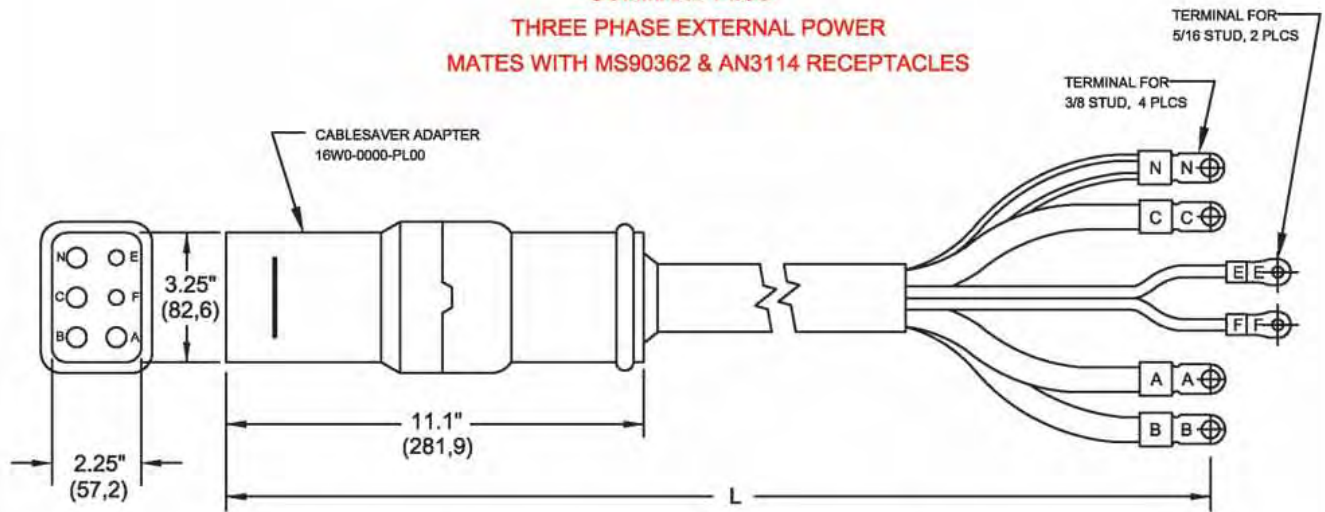
AC CABLESAVER™ ADAPTER ASSEMBLIES

115/200 VOLTS 400 HZ

COMMAND PLUS

THREE PHASE EXTERNAL POWER

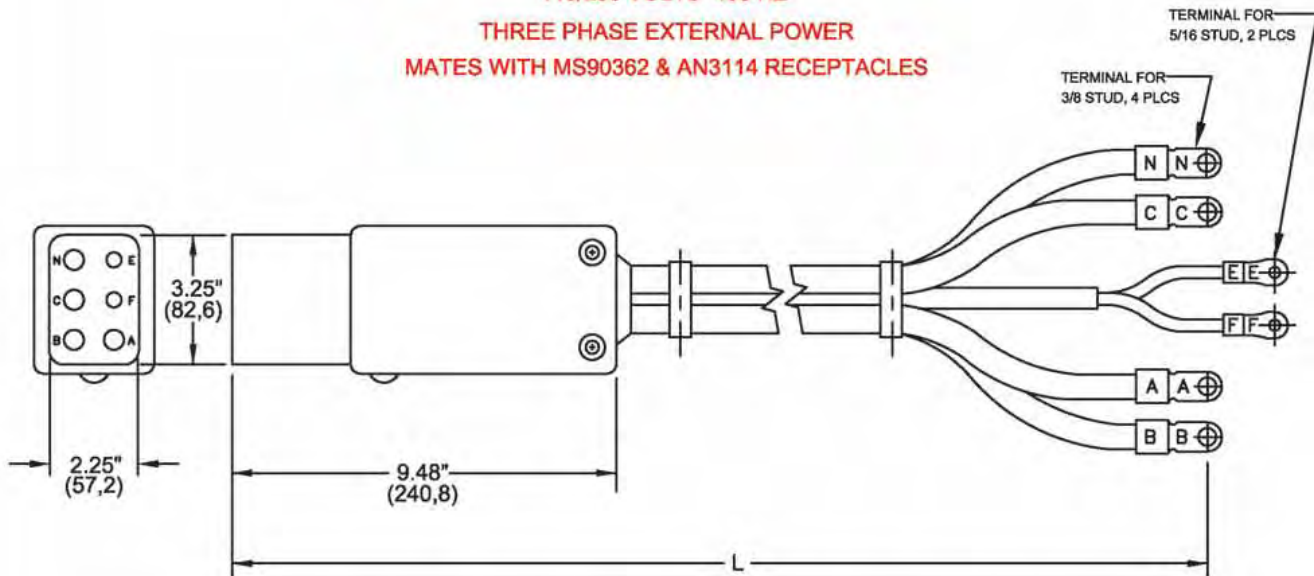
MATES WITH MS90362 & AN3114 RECEPTACLES



BURTON PART NO.	LENGTH FEET	LENGTH METERS	CABLE DESCRIPTION	WT./ASSY LBS.	CABLE CONFIGURATION
16W1-5151-0020	20	6.10	3-1/0 AWG SINGLE CONDUCTORS, 3-6 AWG SINGLE CONDUCTORS, 2-12 AWG CONTROL LEAD, ALL UNDER NEOPRENE JACKET. SILVER PLATED CONTACTS	51	
16W1-5151-0030	30	9.14		74	
16W1-5151-0040	40	12.19		97	
16W1-5151-0080	80	18.29		143	
16W1-5151-0100	100	30.48		189	
16W1-5101-0020	20	6.10	3-2/0 AWG SINGLE CONDUCTORS, 3-4 AWG SINGLE CONDUCTORS, 2-12 AWG CONTROL LEAD, ALL UNDER NEOPRENE JACKET. SILVER PLATED CONTACTS	60	
16W1-5101-0030	30	9.14		87	
16W1-5101-0040	40	12.19		114	
16W1-5101-0080	80	18.29		169	
16W1-5101-0100	100	30.48		224	
16W1-5152-0020	20	6.10	3-1/0 AWG SINGLE CONDUCTORS, 3-6 AWG SINGLE CONDUCTORS, ALL UNDER NEOPRENE JACKET. SILVER PLATED CONTACTS	51	
16W1-5152-0030	30	9.14		74	
16W1-5152-0040	40	12.19		97	
16W1-5152-0080	80	18.29		143	
16W1-5152-0100	100	30.48		189	
16W1-5102-0020	20	6.10	3-2/0 AWG SINGLE CONDUCTORS, 3-4 AWG SINGLE CONDUCTORS, ALL UNDER NEOPRENE JACKET. SILVER PLATED CONTACTS	60	
16W1-5102-0030	30	9.14		87	
16W1-5102-0040	40	12.19		114	
16W1-5102-0080	80	18.29		169	
16W1-5102-0100	100	30.48		224	
16W1-5165-0020	20	6.10	3-1/0 AWG SINGLE CONDUCTORS, 3-6 AWG SINGLE CONDUCTORS, 2-12 AWG CONTROL LEAD, E & F SHUNTED IN PLUG ALL UNDER NEOPRENE JACKET. SILVER PLATED CONTACTS	51	
16W1-5165-0030	30	9.14		74	
16W1-5165-0040	40	12.19		97	
16W1-5165-0080	80	18.29		143	
16W1-5165-0100	100	30.48		189	
16W1-5111-0020	20	6.10	3-2/0 AWG SINGLE CONDUCTORS, 3-4 AWG SINGLE CONDUCTORS, 2-12 AWG CONTROL LEAD, E & F SHUNTED IN PLUG ALL UNDER NEOPRENE JACKET. SILVER PLATED CONTACTS	60	
16W1-5111-0030	30	9.14		87	
16W1-5111-0040	40	12.19		114	
16W1-5111-0080	80	18.29		169	
16W1-5111-0100	100	30.48		224	

SPECIAL LENGTHS, WIRE GAGES OR CABLE CONFIGURATIONS ARE AVAILABLE UPON REQUEST.

PG11 SERIES
AC PLUG GLOVE™ ASSY W/ MULTI-LAM CONTACTS
115/200 VOLTS 400 HZ
THREE PHASE EXTERNAL POWER
MATES WITH MS90362 & AN3114 RECEPTACLES



BURTON PART NO.	LENGTH FEET	LENGTH METERS	CABLE DESCRIPTION	WT./ASSY LBS.	CABLE CONFIGURATION
PG11-3151-0020	20	6.10	4-1/0 AWG SINGLE CONDUCTORS, 1-12/2 CONTROL LEAD, SILVER PLATED CONTACTS, AND NON-METALLIC BANDS.	50	
PG11-3151-0030	30	9.14		73	
PG11-3151-0040	40	12.19		96	
PG11-3151-0060	60	18.29		141	
PG11-3151-0080	80	24.38		188	
PG11-3151-0100	100	30.48	232		
PG11-3101-0020	20	6.10	4-2/0 AWG SINGLE CONDUCTORS, 1-12/2 CONTROL LEAD, SILVER PLATED CONTACTS, AND NON-METALLIC BANDS.	62	
PG11-3101-0030	30	9.14		90	
PG11-3101-0040	40	12.19		118	
PG11-3101-0060	60	18.29		174	
PG11-3101-0080	80	24.38		230	
PG11-3101-0100	100	30.48	286		
PG11-3152-0020	20	6.10	4-1/0 AWG SINGLE CONDUCTORS, NO CONTROL LEADS, E AND F SHUNTED IN PLUG, SILVER PLATED CONTACTS, AND NON-METALLIC BANDS.	47	
PG11-3152-0030	30	9.14		70	
PG11-3152-0040	40	12.19		90	
PG11-3152-0060	60	18.29		132	
PG11-3152-0080	80	24.38		175	
PG11-3152-0100	100	30.48	215		
PG11-3102-0020	20	6.10	4-2/0 AWG SINGLE CONDUCTORS, NO CONTROL LEADS, E AND F SHUNTED IN PLUG, SILVER PLATED CONTACTS, AND NON-METALLIC BANDS.	59	
PG11-3102-0030	30	9.14		85	
PG11-3102-0040	40	12.19		112	
PG11-3102-0060	60	18.29		164	
PG11-3102-0080	80	24.38		217	
PG11-3102-0100	100	30.48	270		
PG11-3165-0020	20	6.10	4-1/0 AWG SINGLE CONDUCTORS, 1-12/2 CONTROL LEADS, E AND F SHUNTED IN PLUG, SILVER PLATED CONTACTS, AND NON-METALLIC BANDS.	50	
PG11-3165-0030	30	9.14		73	
PG11-3165-0040	40	12.19		96	
PG11-3165-0060	60	18.29		141	
PG11-3165-0080	80	24.38		188	
PG11-3165-0100	100	30.48	232		
PG11-3111-0020	20	6.10	4-2/0 AWG SINGLE CONDUCTORS, 1-12/2 CONTROL LEADS, E AND F SHUNTED IN PLUG, SILVER PLATED CONTACTS, AND NON-METALLIC BANDS.	62	
PG11-3111-0030	30	9.14		90	
PG11-3111-0040	40	12.19		118	
PG11-3111-0060	60	18.29		174	
PG11-3111-0080	80	24.38		230	
PG11-3111-0100	100	30.48	288		

SPECIAL LENGTHS, WIRE GAGES OR CABLE CONFIGURATIONS ARE AVAILABLE UPON REQUEST.

PG11 SERIES

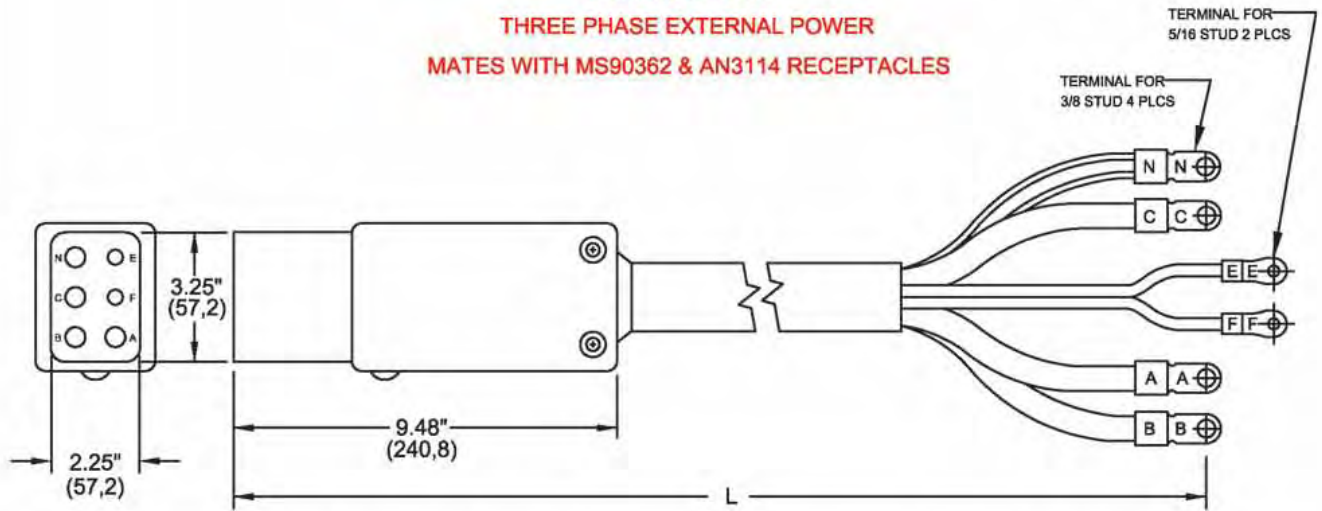
AC PLUG GLOVE™ ASSY W/ MULTI-LAM CONTACTS

115/200 VOLTS 400 HZ

COMMAND PLUS

THREE PHASE EXTERNAL POWER

MATES WITH MS90362 & AN3114 RECEPTACLES



BURTON PART NO.	LENGTH FEET	LENGTH METERS	CABLE DESCRIPTION	WT./ASSY LBS.	CABLE CONFIGURATION
PG11-5151-0020	20	6.10	3-1/0 AWG SINGLE CONDUCTORS,	49	
PG11-5151-0030	30	9.14	3-6 AWG SINGLE CONDUCTORS,	72	
PG11-5151-0040	40	12.19	2-12 AWG CONTROL LEAD,	95	
PG11-5151-0060	60	18.29	ALL UNDER NEOPRENE JACKET.	141	
PG11-5151-0080	80	24.38	SILVER PLATED CONTACTS	187	
PG11-5151-0100	100	30.48		233	
PG11-5101-0020	20	6.10	3-2/0 AWG SINGLE CONDUCTORS,	58	
PG11-5101-0030	30	9.14	3-4 AWG SINGLE CONDUCTORS,	85	
PG11-5101-0040	40	12.19	2-12 AWG CONTROL LEAD,	112	
PG11-5101-0060	60	18.29	ALL UNDER NEOPRENE JACKET.	167	
PG11-5101-0080	80	24.38	SILVER PLATED CONTACTS	222	
PG11-5101-0100	100	30.48		277	
PG11-5152-0020	20	6.10	3-1/0 AWG SINGLE CONDUCTORS,	49	
PG11-5152-0030	30	9.14	3-6 AWG SINGLE CONDUCTORS,	72	
PG11-5152-0040	40	12.19	2-12 AWG CONTROL LEAD,	95	
PG11-5152-0060	60	18.29	ALL UNDER NEOPRENE JACKET.	141	
PG11-5152-0080	80	24.38	SILVER PLATED CONTACTS	187	
PG11-5152-0100	100	30.48		233	
PG11-5102-0020	20	6.10	3-2/0 AWG SINGLE CONDUCTORS,	58	
PG11-5102-0030	30	9.14	3-4 AWG SINGLE CONDUCTORS,	85	
PG11-5102-0040	40	12.19	2-12 AWG CONTROL LEAD,	112	
PG11-5102-0060	60	18.29	ALL UNDER NEOPRENE JACKET.	167	
PG11-5102-0080	80	24.38	SILVER PLATED CONTACTS	222	
PG11-5102-0100	100	30.48		277	
PG11-5165-0020	20	6.10	3-1/0 AWG SINGLE CONDUCTORS,	49	
PG11-5165-0030	30	9.14	3-6 AWG SINGLE CONDUCTORS,	72	
PG11-5165-0040	40	12.19	2-12 AWG CONTROL LEAD,	95	
PG11-5165-0060	60	18.29	E & F SHUNTED IN PLUG	141	
PG11-5165-0080	80	24.38	ALL UNDER NEOPRENE JACKET.	187	
PG11-5165-0100	100	30.48	SILVER PLATED CONTACTS	233	
PG11-5111-0020	20	6.10	3-2/0 AWG SINGLE CONDUCTORS,	58	
PG11-5111-0030	30	9.14	3-4 AWG SINGLE CONDUCTORS,	85	
PG11-5111-0040	40	12.19	2-12 AWG CONTROL LEAD,	112	
PG11-5111-0060	60	18.29	E & F SHUNTED IN PLUG	167	
PG11-5111-0080	80	24.38	ALL UNDER NEOPRENE JACKET.	222	
PG11-5111-0100	100	30.48	SILVER PLATED CONTACTS	277	

SPECIAL LENGTHS, WIRE GAGES OR CABLE CONFIGURATIONS ARE AVAILABLE UPON REQUEST.

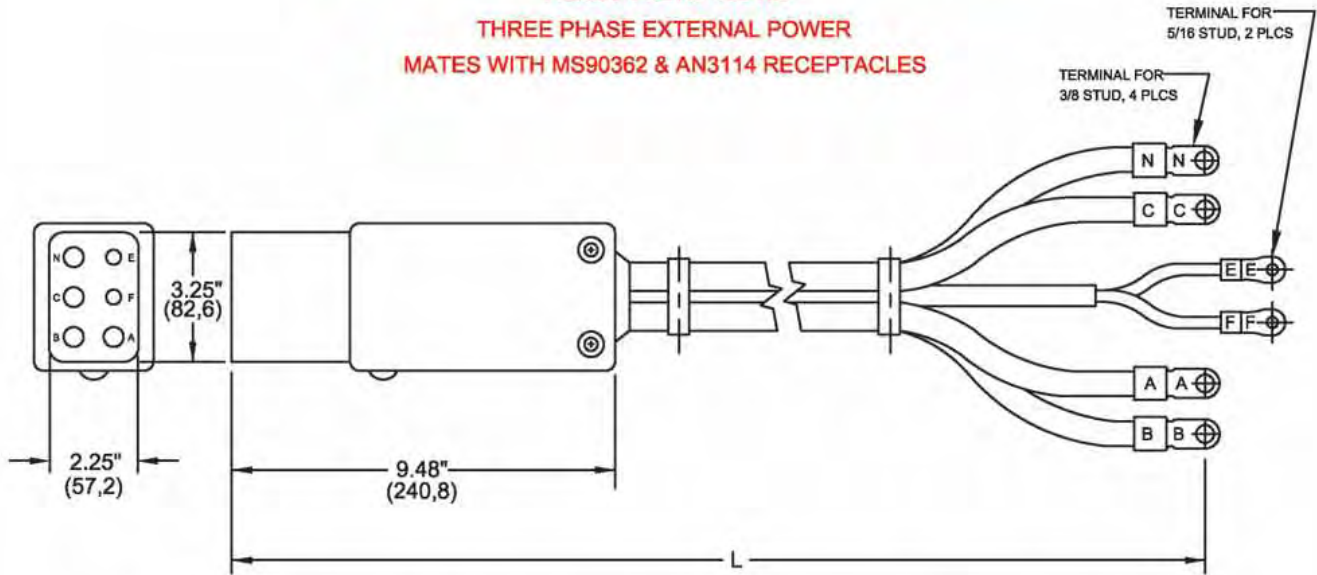
PG12 SERIES

AC PLUG GLOVE™ ASSY W/ REPLACEABLE MULTI-LAM CONTACTS

115/200 VOLTS 400 HZ

THREE PHASE EXTERNAL POWER

MATES WITH MS90362 & AN3114 RECEPTACLES



BURTON PART NO.	LENGTH FEET	LENGTH METERS	CABLE DESCRIPTION	WT./ASSY LBS.	CABLE CONFIGURATION
PG12-3151-0020	20	6.10	4-1/0 AWG SINGLE CONDUCTORS, 1-12/2 CONTROL LEAD, SILVER PLATED CONTACTS, AND NON-METALLIC BANDS.	50	
PG12-3151-0030	30	9.14		73	
PG12-3151-0040	40	12.19		96	
PG12-3151-0060	60	18.29		141	
PG12-3151-0080	80	24.38		186	
PG12-3151-0100	100	30.48	232		
PG12-3101-0020	20	6.10	4-2/0 AWG SINGLE CONDUCTORS, 1-12/2 CONTROL LEAD, SILVER PLATED CONTACTS, AND NON-METALLIC BANDS.	62	
PG12-3101-0030	30	9.14		90	
PG12-3101-0040	40	12.19		118	
PG12-3101-0060	60	18.29		174	
PG12-3101-0080	80	24.38		230	
PG12-3101-0100	100	30.48	286		
PG12-3152-0020	20	6.10	4-1/0 AWG SINGLE CONDUCTORS, NO CONTROL LEADS, E AND F SHUNTED IN PLUG, SILVER PLATED CONTACTS, AND NON-METALLIC BANDS.	47	
PG12-3152-0030	30	9.14		70	
PG12-3152-0040	40	12.19		90	
PG12-3152-0060	60	18.29		132	
PG12-3152-0080	80	24.38		175	
PG12-3152-0100	100	30.48	215		
PG12-3102-0020	20	6.10	4-2/0 AWG SINGLE CONDUCTORS, NO CONTROL LEADS, E AND F SHUNTED IN PLUG, SILVER PLATED CONTACTS, AND NON-METALLIC BANDS.	59	
PG12-3102-0030	30	9.14		85	
PG12-3102-0040	40	12.19		112	
PG12-3102-0060	60	18.29		164	
PG12-3102-0080	80	24.38		217	
PG12-3102-0100	100	30.48	270		
PG12-3165-0020	20	6.10	4-1/0 AWG SINGLE CONDUCTORS, 1-12/2 CONTROL LEADS, E AND F SHUNTED IN PLUG, SILVER PLATED CONTACTS, AND NON-METALLIC BANDS.	50	
PG12-3165-0030	30	9.14		73	
PG12-3165-0040	40	12.19		96	
PG12-3165-0060	60	18.29		141	
PG12-3165-0080	80	24.38		186	
PG12-3165-0100	100	30.48	232		
PG12-3111-0020	20	6.10	4-2/0 AWG SINGLE CONDUCTORS, 1-12/2 CONTROL LEADS, E AND F SHUNTED IN PLUG, SILVER PLATED CONTACTS, AND NON-METALLIC BANDS.	62	
PG12-3111-0030	30	9.14		90	
PG12-3111-0040	40	12.19		118	
PG12-3111-0060	60	18.29		174	
PG12-3111-0080	80	24.38		230	
PG12-3111-0100	100	30.48	286		

SPECIAL LENGTHS, WIRE GAGES OR CABLE CONFIGURATIONS ARE AVAILABLE UPON REQUEST.

PG12 SERIES

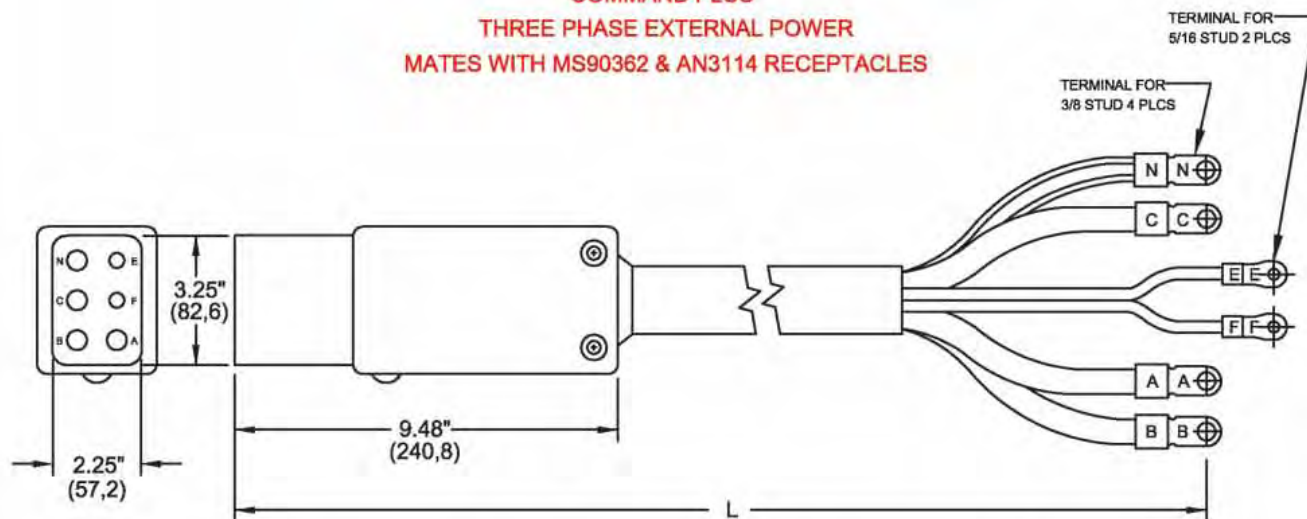
AC PLUG GLOVE™ ASSY W/ REPLACEABLE MULTI-LAM CONTACTS

115/200 VOLTS 400 HZ

COMMAND PLUS

THREE PHASE EXTERNAL POWER

MATES WITH MS90362 & AN3114 RECEPTACLES



BURTON PART NO.	LENGTH FEET	LENGTH METERS	CABLE DESCRIPTION	WT./ASSY LBS.	CABLE CONFIGURATION
PG12-5151-0020	20	6.10	3-1/0 AWG SINGLE CONDUCTORS,	49	
PG12-5151-0030	30	9.14	3-6 AWG SINGLE CONDUCTORS,	72	
PG12-5151-0040	40	12.19	2-12 AWG CONTROL LEAD,	95	
PG12-5151-0060	60	18.29	ALL UNDER NEOPRENE JACKET,	141	
PG12-5151-0080	80	24.38	SILVER PLATED CONTACTS	187	
PG12-5151-0100	100	30.48		233	
PG12-5101-0020	20	6.10	3-2/0 AWG SINGLE CONDUCTORS,	58	
PG12-5101-0030	30	9.14	3-4 AWG SINGLE CONDUCTORS,	85	
PG12-5101-0040	40	12.19	2-12 AWG CONTROL LEAD,	112	
PG12-5101-0060	60	18.29	ALL UNDER NEOPRENE JACKET.	167	
PG12-5101-0080	80	24.38	SILVER PLATED CONTACTS	222	
PG12-5101-0100	100	30.48		277	
PG12-5152-0020	20	6.10	3-1/0 AWG SINGLE CONDUCTORS,	49	
PG12-5152-0030	30	9.14	3-6 AWG SINGLE CONDUCTORS,	72	
PG12-5152-0040	40	12.19	2-12 AWG CONTROL LEAD,	95	
PG12-5152-0060	60	18.29	ALL UNDER NEOPRENE JACKET.	141	
PG12-5152-0080	80	24.38	SILVER PLATED CONTACTS	187	
PG12-5152-0100	100	30.48		233	
PG12-5102-0020	20	6.10	3-2/0 AWG SINGLE CONDUCTORS,	58	
PG12-5102-0030	30	9.14	3-4 AWG SINGLE CONDUCTORS,	85	
PG12-5102-0040	40	12.19	2-12 AWG CONTROL LEAD,	112	
PG12-5102-0060	60	18.29	ALL UNDER NEOPRENE JACKET.	167	
PG12-5102-0080	80	24.38	SILVER PLATED CONTACTS	222	
PG12-5102-0100	100	30.48		277	
PG12-5165-0020	20	6.10	3-1/0 AWG SINGLE CONDUCTORS,	49	
PG12-5165-0030	30	9.14	3-6 AWG SINGLE CONDUCTORS,	72	
PG12-5165-0040	40	12.19	2-12 AWG CONTROL LEAD,	95	
PG12-5165-0060	60	18.29	E & F SHUNTED IN PLUG	141	
PG12-5165-0080	80	24.38	ALL UNDER NEOPRENE JACKET.	187	
PG12-5165-0100	100	30.48	SILVER PLATED CONTACTS	233	
PG12-5111-0020	20	6.10	3-2/0 AWG SINGLE CONDUCTORS,	58	
PG12-5111-0030	30	9.14	3-4 AWG SINGLE CONDUCTORS,	85	
PG12-5111-0040	40	12.19	2-12 AWG CONTROL LEAD,	112	
PG12-5111-0060	60	18.29	E & F SHUNTED IN PLUG	167	
PG12-5111-0080	80	24.38	ALL UNDER NEOPRENE JACKET.	222	
PG12-5111-0100	100	30.48	SILVER PLATED CONTACTS	277	

SPECIAL LENGTHS, WIRE GAGES OR CABLE CONFIGURATIONS ARE AVAILABLE UPON REQUEST.

PG12 SERIES

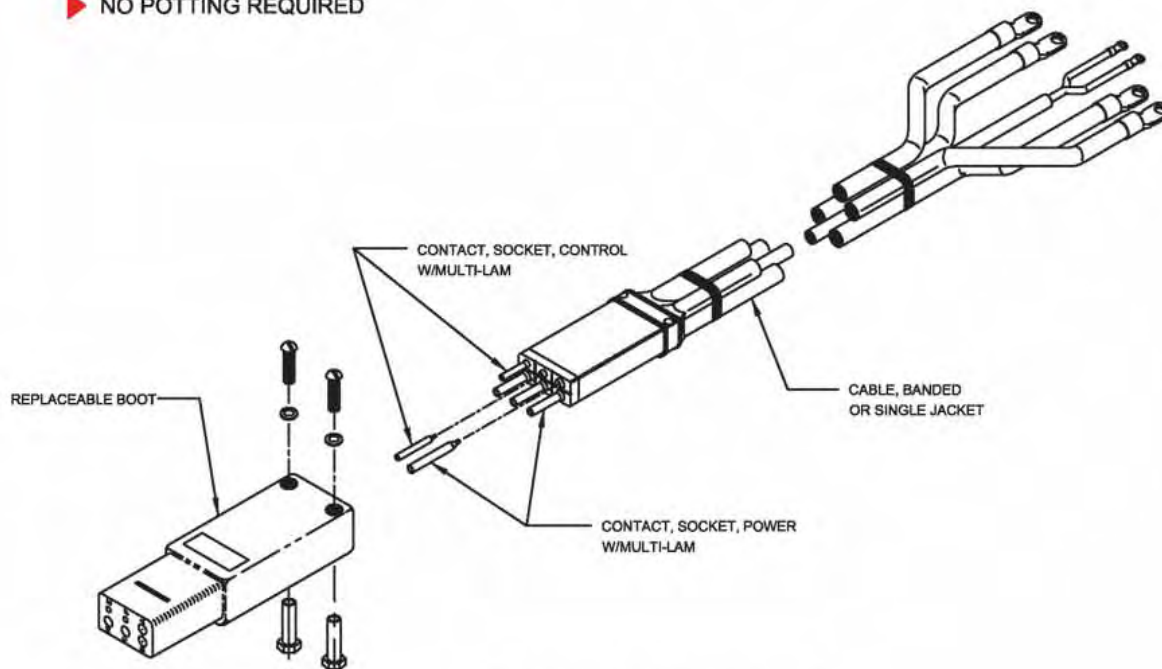
AC PLUG GLOVE™ ASSY W/ REPLACEABLE MULTI-LAM CONTACTS

115/200 VOLTS 400 HZ

THREE PHASE EXTERNAL POWER

MATES WITH MS90362 & AN3114 RECEPTACLES

- ▶ REPLACEMENT OF THE COMPLETE PLUG IS NOT REQUIRED
- ▶ ASSEMBLE IN FREE AIR
- ▶ NO POTTING REQUIRED

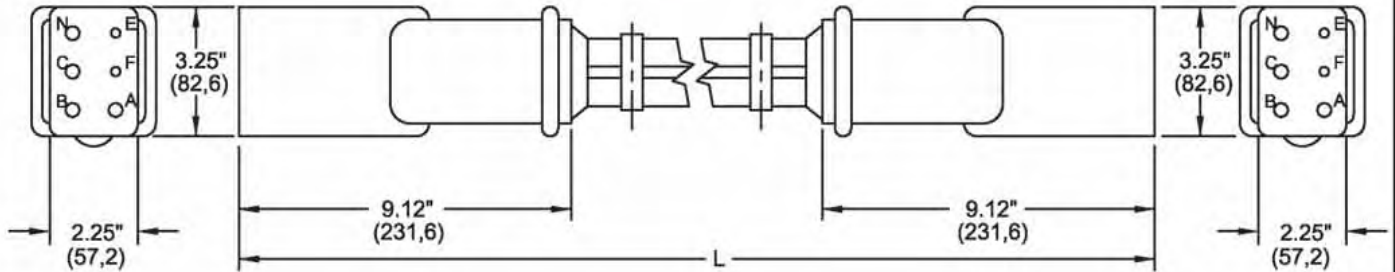


REPLACEMENT COMPONENT PARTS:

BURTON PART NO.	DESCRIPTION
6700-0745-0000	REPLACEABLE BOOT
6000-0233-0000	CONTACT, SOCKET, POWER
6000-0199-0001	MULTI-LAM (USE TO REPLACE DAMAGED MULTI-LAM USED IN CONTACT 6000-0233-0000)
6000-0234-0000	CONTACT, SOCKET, CONTROL, #12 W/ MULTI-LAM
6000-0198-0001	MULTI-LAM (USE TO REPLACE DAMAGED MULTI-LAM USED IN CONTACT 6000-0234-0000)

1690 SERIES

JUMPER CABLE ASSEMBLY

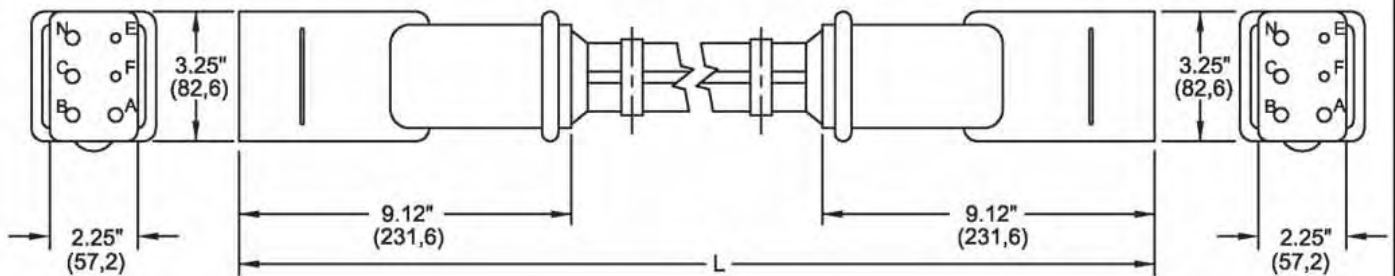


BURTON PART NO.	LENGTH FEET	LENGTH METERS	CABLE DESCRIPTION	WT./ASSY LBS.	CABLE CONFIGURATION
1690-0151-0060	60	18.29	4-1/0 AWG SINGLE CONDUCTORS, 1-12/2 CONTROL LEAD, AND STAINLESS STEEL BANDS.	171	

SPECIAL LENGTHS, WIRE GAGES OR CABLE CONFIGURATIONS ARE AVAILABLE UPON REQUEST.

1691 SERIES

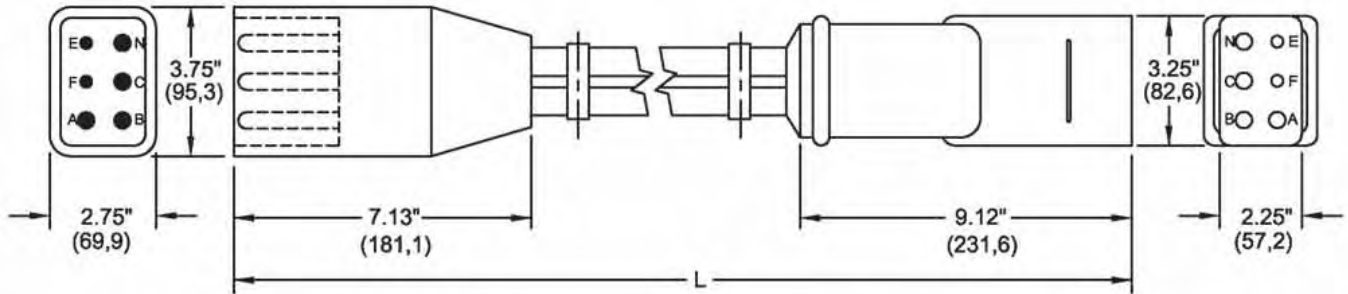
SINGLE POINT REFUELING



BURTON PART NO.	LENGTH FEET	LENGTH METERS	MILITARY PART NO.	CABLE DESCRIPTION	WT./ASSY LBS.	CABLE CONFIGURATION
1691-0301-60	60	18.29	MS24208-1	4-4 AWG SINGLE CONDUCTORS, 1-12/2 CONTROL LEAD, NON-METALLIC BANDS, WITH RED COLOR CONNECTORS.	80	

SPECIAL LENGTHS, WIRE GAGES OR CABLE CONFIGURATIONS ARE AVAILABLE UPON REQUEST.

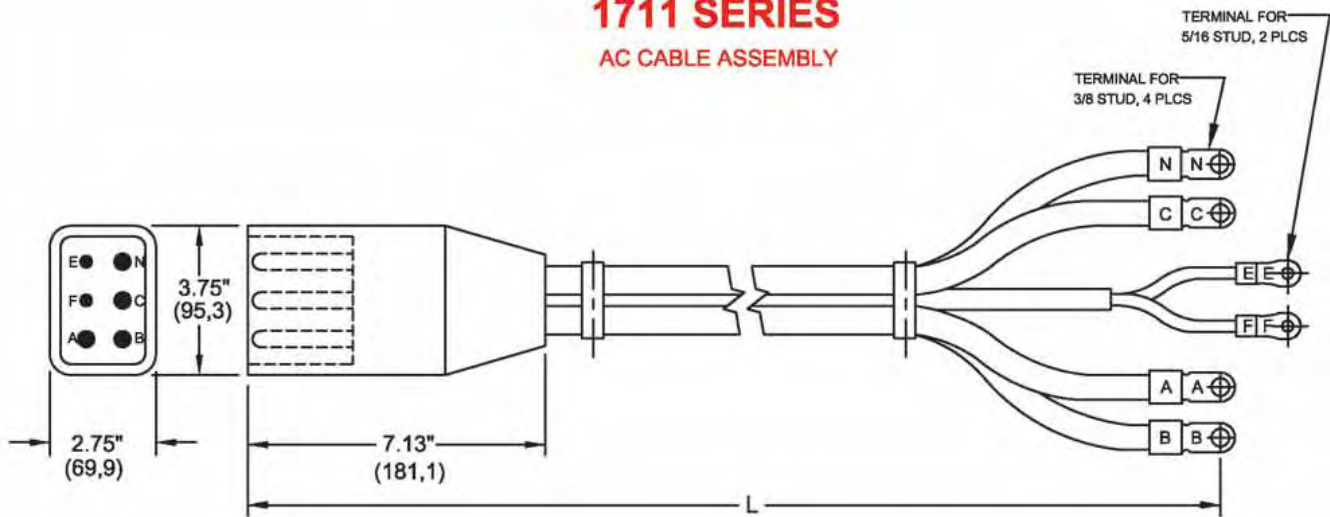
1701 SERIES EXTENSION CABLE ASSEMBLY



BURTON PART NO.	LENGTH FEET	LENGTH METERS	CABLE DESCRIPTION	WT./ASSY LBS.	CABLE CONFIGURATION
1701-0151-0060	60	18.29	4-1/0 AWG SINGLE CONDUCTORS, 1-12/2 CONTROL LEAD, AND STAINLESS STEEL BANDS	177	

SPECIAL LENGTHS, WIRE GAGES OR CABLE CONFIGURATIONS ARE AVAILABLE UPON REQUEST.

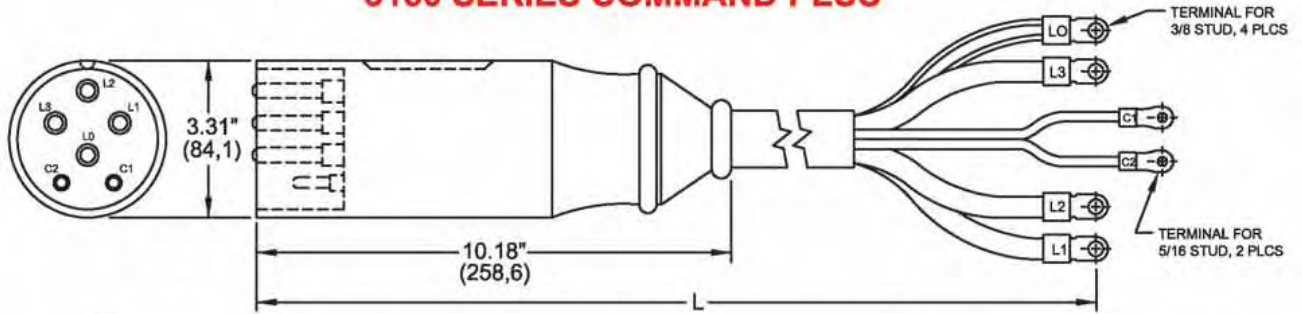
1711 SERIES AC CABLE ASSEMBLY



BURTON PART NO.	LENGTH FEET	LENGTH METERS	CABLE DESCRIPTION	WT./ASSY LBS.	CABLE CONFIGURATION
1711-0151-0030	30	9.14	4-1/0 AWG SINGLE CONDUCTORS, 1-12/2 CONTROL LEAD, AND STAINLESS STEEL BANDS	75	

SPECIAL LENGTHS, WIRE GAGES OR CABLE CONFIGURATIONS ARE AVAILABLE UPON REQUEST.

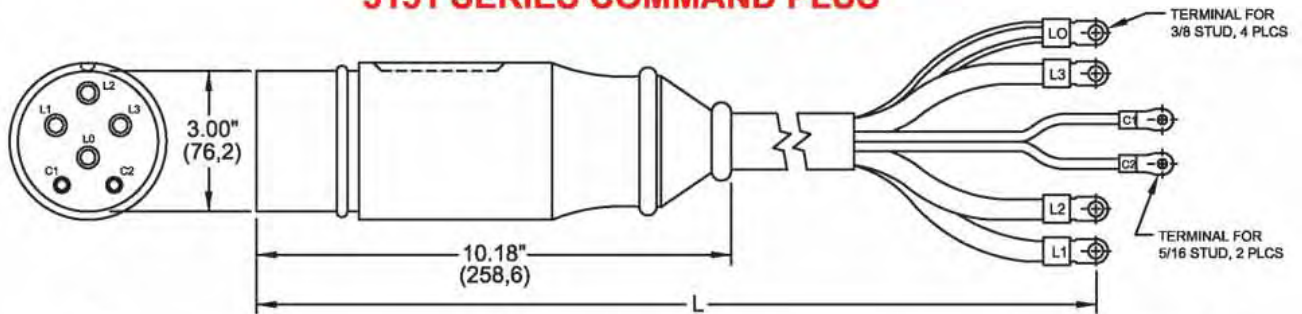
3150 SERIES COMMAND PLUS



BURTON PART NO.	LENGTH FEET	LENGTH METERS	MATING UNIT	CABLE DESCRIPTION	WT./ASSY LBS.	CABLE CONFIGURATION
3150-5151-0030	30	9.14	SERIES 3151, 4122	3-1/0 AWG SINGLE CONDUCTORS, 3-6 AWG SINGLE CONDUCTORS, 2-12 AWG CONTROL LEAD, ALL UNDER NEOPRENE JACKET.	78	

SPECIAL LENGTHS, WIRE GAGES OR CABLE CONFIGURATIONS ARE AVAILABLE UPON REQUEST.

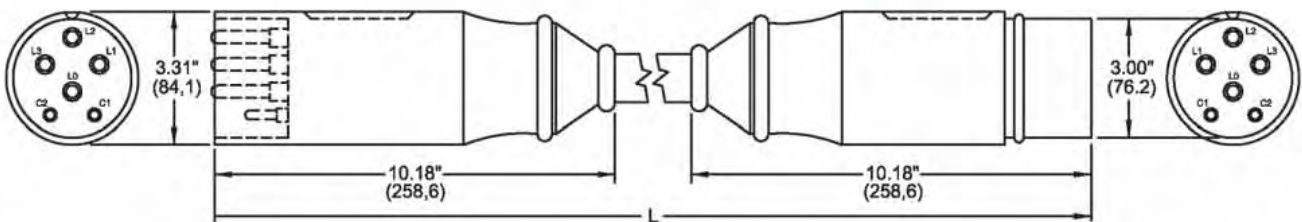
3151 SERIES COMMAND PLUS



BURTON PART NO.	LENGTH FEET	LENGTH METERS	MATING UNIT	CABLE DESCRIPTION	WT./ASSY LBS.	CABLE CONFIGURATION
3151-5151-0030	30	9.14	SERIES 3150, 4121	3-1/0 AWG SINGLE CONDUCTORS, 3-6 AWG SINGLE CONDUCTORS, 2-12 AWG CONTROL LEAD, ALL UNDER NEOPRENE JACKET.	78	

SPECIAL LENGTHS, WIRE GAGES OR CABLE CONFIGURATIONS ARE AVAILABLE UPON REQUEST.

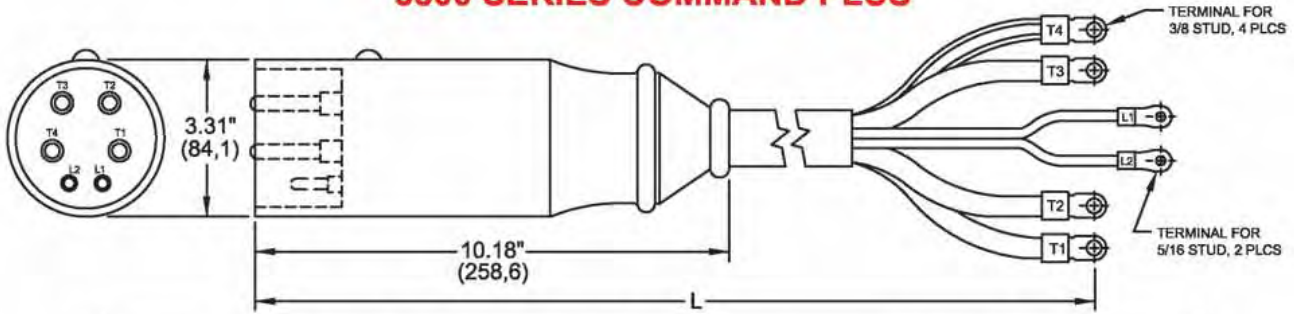
3152 SERIES COMMAND PLUS



BURTON PART NO.	LENGTH FEET	LENGTH METERS	MATING UNIT	CABLE DESCRIPTION	WT./ASSY LBS.	CABLE CONFIGURATION
3152-5151-0060	60	18.29	SERIES 3150, 3151, 4121, 4122	3-1/0 AWG SINGLE CONDUCTORS, 3-6 AWG SINGLE CONDUCTORS, 2-12 AWG CONTROL LEAD, ALL UNDER NEOPRENE JACKET.	156	

SPECIAL LENGTHS, WIRE GAGES OR CABLE CONFIGURATIONS ARE AVAILABLE UPON REQUEST.

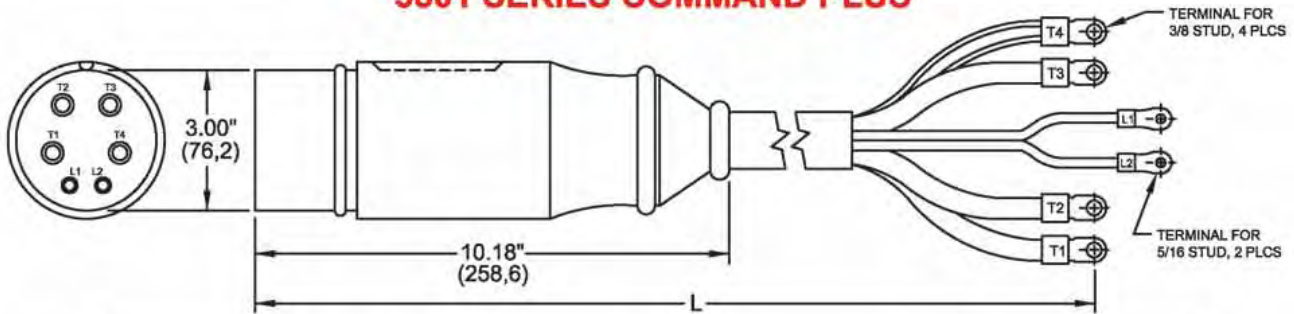
3800 SERIES COMMAND PLUS



BURTON PART NO.	LENGTH FEET	LENGTH METERS	MATING UNIT	CABLE DESCRIPTION	WT./ASSY LBS.	CABLE CONFIGURATION
3800-5151-0030	30	9.14	SERIES 3801, 4124	3-1/0 AWG SINGLE CONDUCTORS, 3-6 AWG SINGLE CONDUCTORS, 2-12 AWG CONTROL LEAD, ALL UNDER NEOPRENE JACKET.	78	

SPECIAL LENGTHS, WIRE GAGES OR CABLE CONFIGURATIONS ARE AVAILABLE UPON REQUEST.

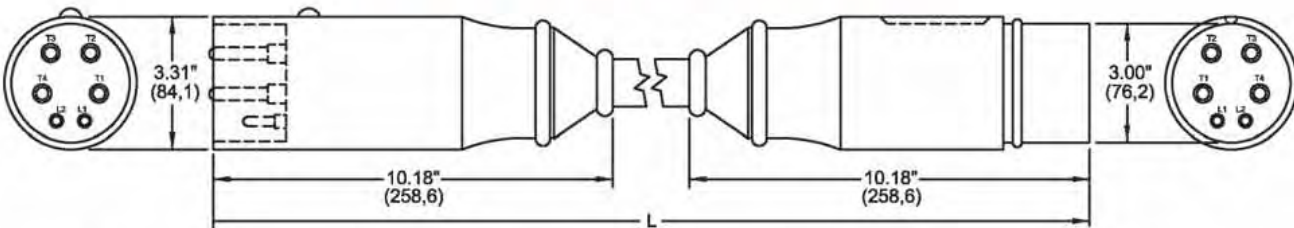
3801 SERIES COMMAND PLUS



BURTON PART NO.	LENGTH FEET	LENGTH METERS	MATING UNIT	CABLE DESCRIPTION	WT./ASSY LBS.	CABLE CONFIGURATION
3801-5151-0030	30	9.14	SERIES 3800, 4123	3-1/0 AWG SINGLE CONDUCTORS, 3-6 AWG SINGLE CONDUCTORS, 2-12 AWG CONTROL LEAD, ALL UNDER NEOPRENE JACKET.	78	

SPECIAL LENGTHS, WIRE GAGES OR CABLE CONFIGURATIONS ARE AVAILABLE UPON REQUEST.

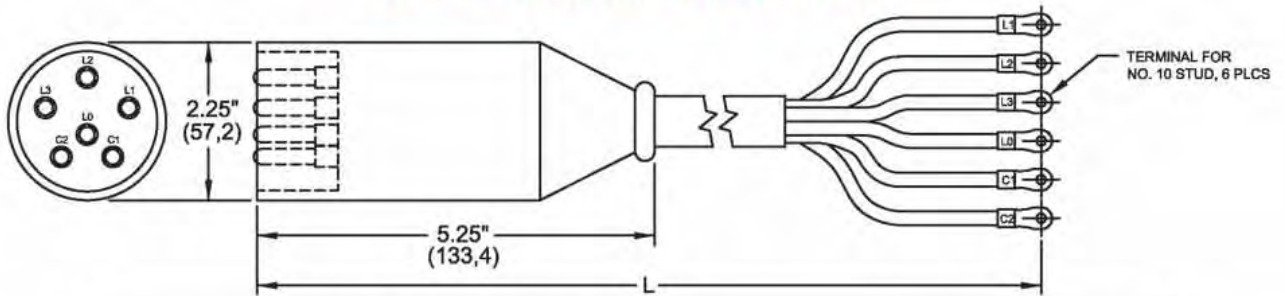
3802 SERIES COMMAND PLUS



BURTON PART NO.	LENGTH FEET	LENGTH METERS	MATING UNIT	CABLE DESCRIPTION	WT./ASSY LBS.	CABLE CONFIGURATION
3802-5151-0060	60	18.29	SERIES 3800, 3801 4123, 4124	3-1/0 AWG SINGLE CONDUCTORS, 3-6 AWG SINGLE CONDUCTORS, 2-12 AWG CONTROL LEAD, ALL UNDER NEOPRENE JACKET.	156	

SPECIAL LENGTHS, WIRE GAGES OR CABLE CONFIGURATIONS ARE AVAILABLE UPON REQUEST.

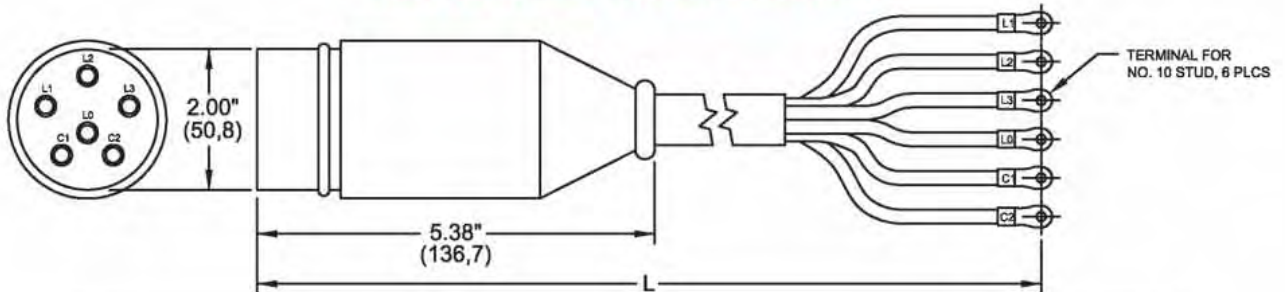
4200 SERIES SINGLE JACKET



BURTON PART NO.	LENGTH FEET	LENGTH METERS	MATING UNIT	CABLE DESCRIPTION	WT./ASSY LBS.	CABLE CONFIGURATION
4200-1451-0030	30	9.14	SERIES 4172, 4300	6-10 AWG SINGLE CONDUCTORS, UNDER SINGLE JACKET.	31	

SPECIAL LENGTHS, WIRE GAGES OR CABLE CONFIGURATIONS ARE AVAILABLE UPON REQUEST.

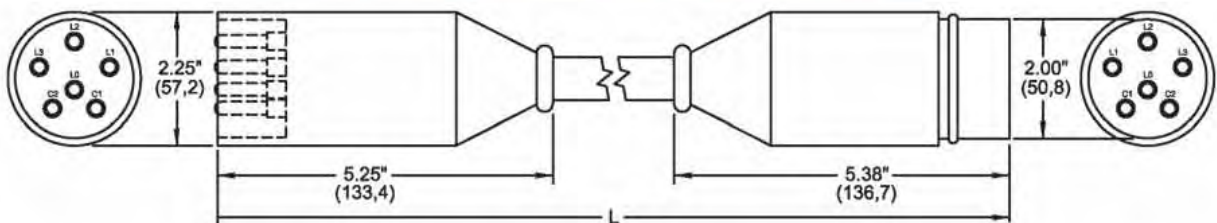
4300 SERIES SINGLE JACKET



BURTON PART NO.	LENGTH FEET	LENGTH METERS	MATING UNIT	CABLE DESCRIPTION	WT./ASSY LBS.	CABLE CONFIGURATION
4300-1451-0030	30	9.14	SERIES 4171, 4200	6-10 AWG SINGLE CONDUCTORS, UNDER SINGLE JACKET.	31	

SPECIAL LENGTHS, WIRE GAGES OR CABLE CONFIGURATIONS ARE AVAILABLE UPON REQUEST.

4400 SERIES SINGLE JACKET

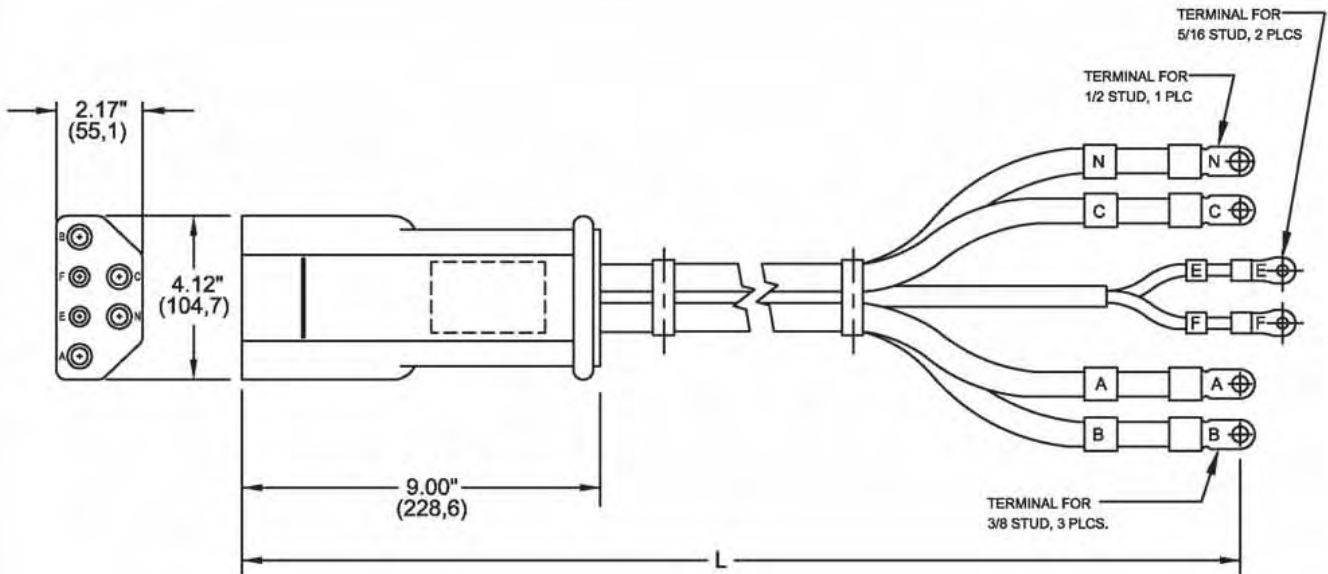


BURTON PART NO.	LENGTH FEET	LENGTH METERS	MATING UNIT	CABLE DESCRIPTION	WT./ASSY LBS.	CABLE CONFIGURATION
4400-1451-0060	60	18.29	SERIES 4171, 4172 4200, 4300	6-10 AWG SINGLE CONDUCTORS, UNDER SINGLE JACKET.	62	

SPECIAL LENGTHS, WIRE GAGES OR CABLE CONFIGURATIONS ARE AVAILABLE UPON REQUEST.

1810 SERIES

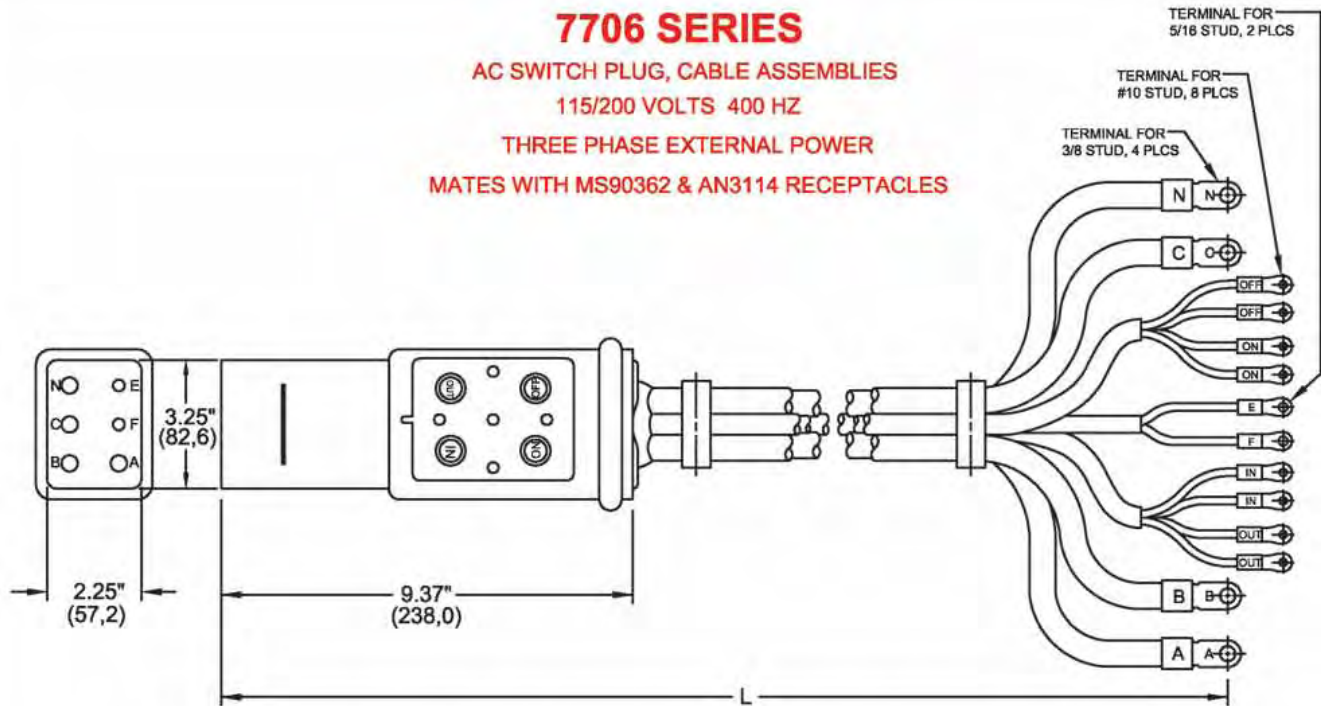
BI-B AC CABLE ASSEMBLIES.
 240/480 VOLTS 400 HZ
 THREE PHASE EXTERNAL POWER
 MATES WITH MS21379 RECEPTACLES



BURTON PART NO.	LENGTH FEET	LENGTH METERS	MILITARY PART NO.	CABLE DESCRIPTION	WT./ASSY LBS.	CABLE CONFIGURATION
1810-0151-0110	110	33.53	MS21378-8	4-1/0 AWG SINGLE CONDUCTORS, 1-12/2 CONTROL LEAD, SILVER PLATED CONTACTS, AND NON-METALLIC BANDS.		
1810-0101-0025 1810-0101-0060	25 60	7.62 18.29	MS21378-12 MS21378-15	4-2/0 AWG SINGLE CONDUCTORS, 1-12/2 CONTROL LEAD, SILVER PLATED CONTACTS, AND NON-METALLIC BANDS.		

SPECIAL LENGTHS, WIRE GAGES OR CABLE CONFIGURATIONS ARE AVAILABLE UPON REQUEST.

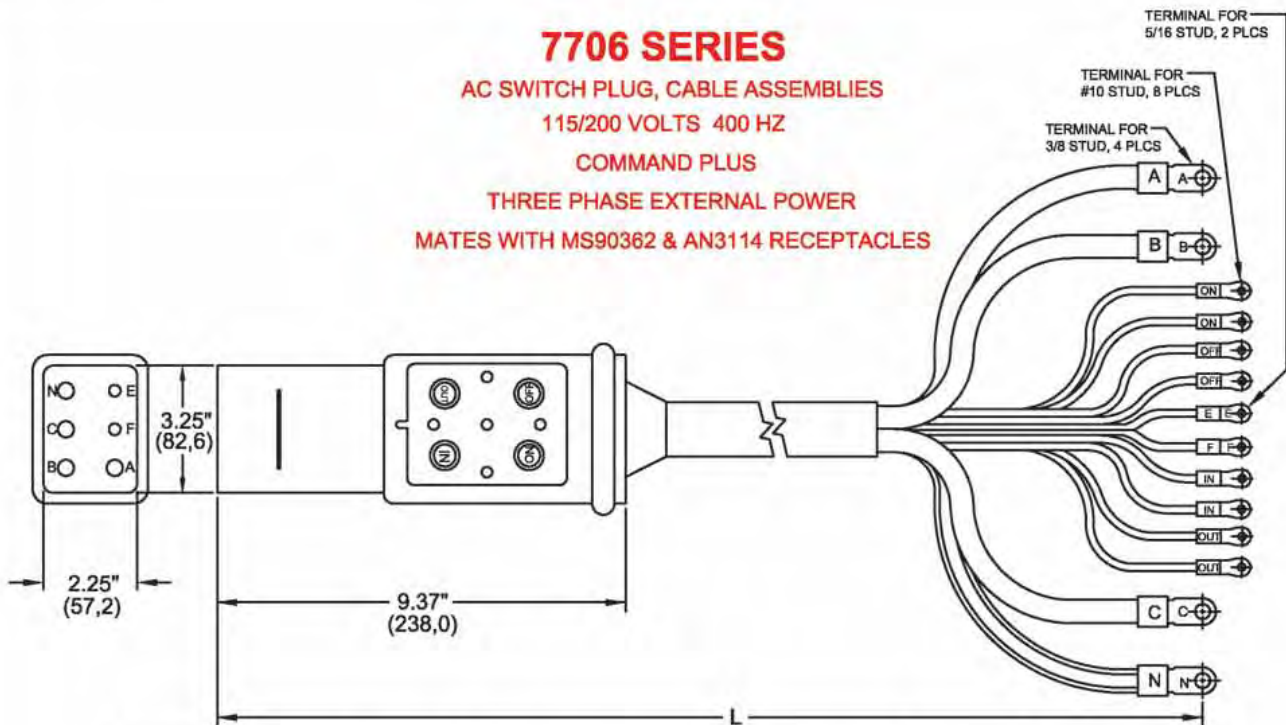
7706 SERIES
AC SWITCH PLUG, CABLE ASSEMBLIES
115/200 VOLTS 400 HZ
THREE PHASE EXTERNAL POWER
MATES WITH MS90362 & AN3114 RECEPTACLES



BURTON PART NO.	LENGTH FEET	LENGTH METERS	CABLE DESCRIPTION	WT./ASSY LBS.	CABLE CONFIGURATION
7706-1331-0020	20	6.10	4-1/0 AWG SINGLE CONDUCTORS, 1-12/2 CONTROL LEAD, 2-12/4 ON-OFF / IN-OUT, AND NON-METALLIC BANDS.	62	
7706-1331-0030	30	9.14		95	
7706-1331-0040	40	12.19		128	
7706-1331-0060	60	18.29		193	
7706-1331-0080	80	24.38		258	
7706-1331-0100	100	30.48		323	
7706-2331-0020	20	6.10	4-2/0 AWG SINGLE CONDUCTORS, 1-12/2 CONTROL LEAD, 2-12/4 ON-OFF / IN-OUT, AND NON-METALLIC BANDS.	72	
7706-2331-0030	30	9.14		110	
7706-2331-0040	40	12.19		148	
7706-2331-0060	60	18.29		223	
7706-2331-0080	80	24.38		298	
7706-2331-0100	100	30.48		373	
7706-1330-0020	20	6.10	4-1/0 AWG SINGLE CONDUCTORS, NO CONTROL LEAD, E AND F SHUNTED IN PLUG, 2-12/4 ON-OFF / IN-OUT AND NON-METALLIC BANDS.	59	
7706-1330-0030	30	9.14		90	
7706-1330-0040	40	12.19		122	
7706-1330-0060	60	18.29		183	
7706-1330-0080	80	24.38		245	
7706-1330-0100	100	30.48		307	
7706-2330-0020	20	6.10	4-2/0 AWG SINGLE CONDUCTORS, NO CONTROL LEAD, E AND F SHUNTED IN PLUG, 2-12/4 ON-OFF / IN-OUT AND NON-METALLIC BANDS.	69	
7706-2330-0030	30	9.14		105	
7706-2330-0040	40	12.19		142	
7706-2330-0060	60	18.29		213	
7706-2330-0080	80	24.38		285	
7706-2330-0100	100	30.48		357	
7706-1332-0020	20	6.10	4-1/0 AWG SINGLE CONDUCTORS, 1-12/2 CONTROL LEAD E AND F SHUNTED IN PLUG, 2-12/4 ON-OFF / IN-OUT AND NON-METALLIC BANDS.	62	
7706-1332-0030	30	9.14		95	
7706-1332-0040	40	12.19		128	
7706-1332-0060	60	18.29		193	
7706-1332-0080	80	24.38		258	
7706-1332-0100	100	30.48		323	
7706-2332-0020	20	6.10	4-2/0 AWG SINGLE CONDUCTORS, 1-12/2 CONTROL LEAD E AND F SHUNTED IN PLUG, 2-12/4 ON-OFF / IN-OUT AND NON-METALLIC BANDS.	72	
7706-2332-0030	30	9.14		110	
7706-2332-0040	40	12.19		148	
7706-2332-0060	60	18.29		223	
7706-2332-0080	80	24.38		298	
7706-2332-0100	100	30.48		373	

SPECIAL LENGTHS, WIRE GAGES, CABLE CONFIGURATIONS, OR 2 BUTTON SWITCH ASSEMBLIES ARE AVAILABLE UPON REQUEST.

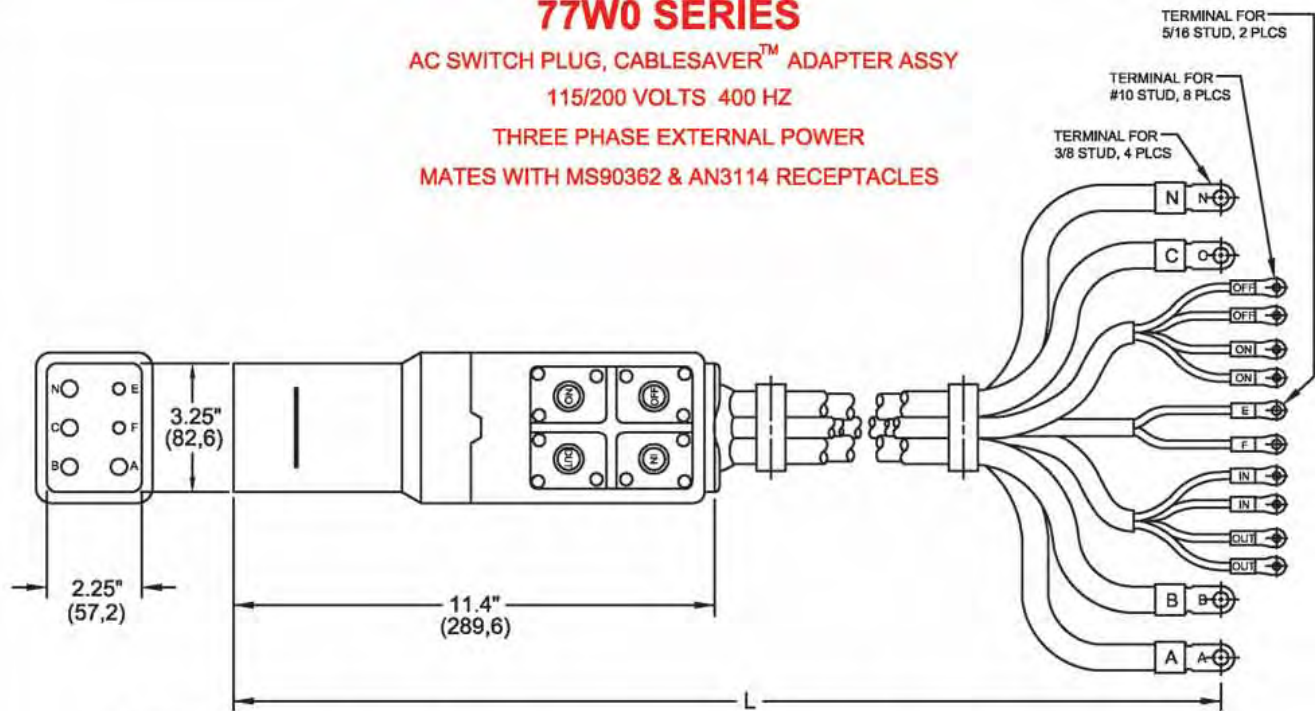
7706 SERIES
AC SWITCH PLUG, CABLE ASSEMBLIES
115/200 VOLTS 400 HZ
COMMAND PLUS
THREE PHASE EXTERNAL POWER
MATES WITH MS90362 & AN3114 RECEPTACLES



BURTON PART NO.	LENGTH FEET	LENGTH METERS	CABLE DESCRIPTION	WT./ASSY LBS.	CABLE CONFIGURATION
7706-5331-0020	20	6.10	3-1/0 AWG SINGLE CONDUCTORS,	50	
7706-5331-0030	30	9.14	3-6 AWG SINGLE CONDUCTORS,	73	
7706-5331-0040	40	12.19	2-12 AWG CONTROL LEAD,	96	
7706-5331-0060	60	18.29	8-16 AWG ON-OFF / IN-OUT,	142	
7706-5331-0080	80	24.38	ALL UNDER NEOPRENE JACKET.	188	
7706-5331-0100	100	30.48		234	
7706-6331-0020	20	6.10	3-2/0 AWG SINGLE CONDUCTORS,	59	
7706-6331-0030	30	9.14	3-4 AWG SINGLE CONDUCTORS,	86	
7706-6331-0040	40	12.19	2-12 AWG CONTROL LEAD,	113	
7706-6331-0060	60	18.29	8-16 AWG ON-OFF / IN-OUT,	168	
7706-6331-0080	80	24.38	ALL UNDER NEOPRENE JACKET.	223	
7706-6331-0100	100	30.48		278	
7706-5330-0020	20	6.10	3-1/0 AWG SINGLE CONDUCTORS,	50	
7706-5330-0030	30	9.14	3-6 AWG SINGLE CONDUCTORS,	73	
7706-5330-0040	40	12.19	NO CONTROL LEAD,	96	
7706-5330-0060	60	18.29	E AND F SHUNTED IN PLUG,	142	
7706-5330-0080	80	24.38	8-16 AWG ON-OFF / IN-OUT,	188	
7706-5330-0100	100	30.48	ALL UNDER NEOPRENE JACKET.	234	
7706-6330-0020	20	6.10	3-2/0 AWG SINGLE CONDUCTORS,	59	
7706-6330-0030	30	9.14	3-4 AWG SINGLE CONDUCTORS,	86	
7706-6330-0040	40	12.19	NO CONTROL LEAD,	113	
7706-6330-0060	60	18.29	E AND F SHUNTED IN PLUG,	168	
7706-6330-0080	80	24.38	8-16 AWG ON-OFF / IN-OUT,	223	
7706-6330-0100	100	30.48	ALL UNDER NEOPRENE JACKET.	278	
7706-5332-0020	20	6.10	3-1/0 AWG SINGLE CONDUCTORS,	50	
7706-5332-0030	30	9.14	3-6 AWG SINGLE CONDUCTORS,	73	
7706-5332-0040	40	12.19	2-12 AWG CONTROL LEAD,	96	
7706-5332-0060	60	18.29	E AND F SHUNTED IN PLUG,	142	
7706-5332-0080	80	24.38	8-16 AWG ON-OFF / IN-OUT,	188	
7706-5332-0100	100	30.48	ALL UNDER NEOPRENE JACKET.	234	
7706-6332-0020	20	6.10	3-2/0 AWG SINGLE CONDUCTORS,	59	
7706-6332-0030	30	9.14	3-4 AWG SINGLE CONDUCTORS,	86	
7706-6332-0040	40	12.19	2-12 AWG CONTROL LEAD,	113	
7706-6332-0060	60	18.29	E AND F SHUNTED IN PLUG,	168	
7706-6332-0080	80	24.38	8-16 AWG ON-OFF / IN-OUT,	223	
7706-6332-0100	100	30.48	ALL UNDER NEOPRENE JACKET.	278	

SPECIAL LENGTHS, WIRE GAGES, CABLE CONFIGURATIONS, OR 2 BUTTON SWITCH PLUG ASSEMBLIES ARE AVAILABLE UPON REQUEST.

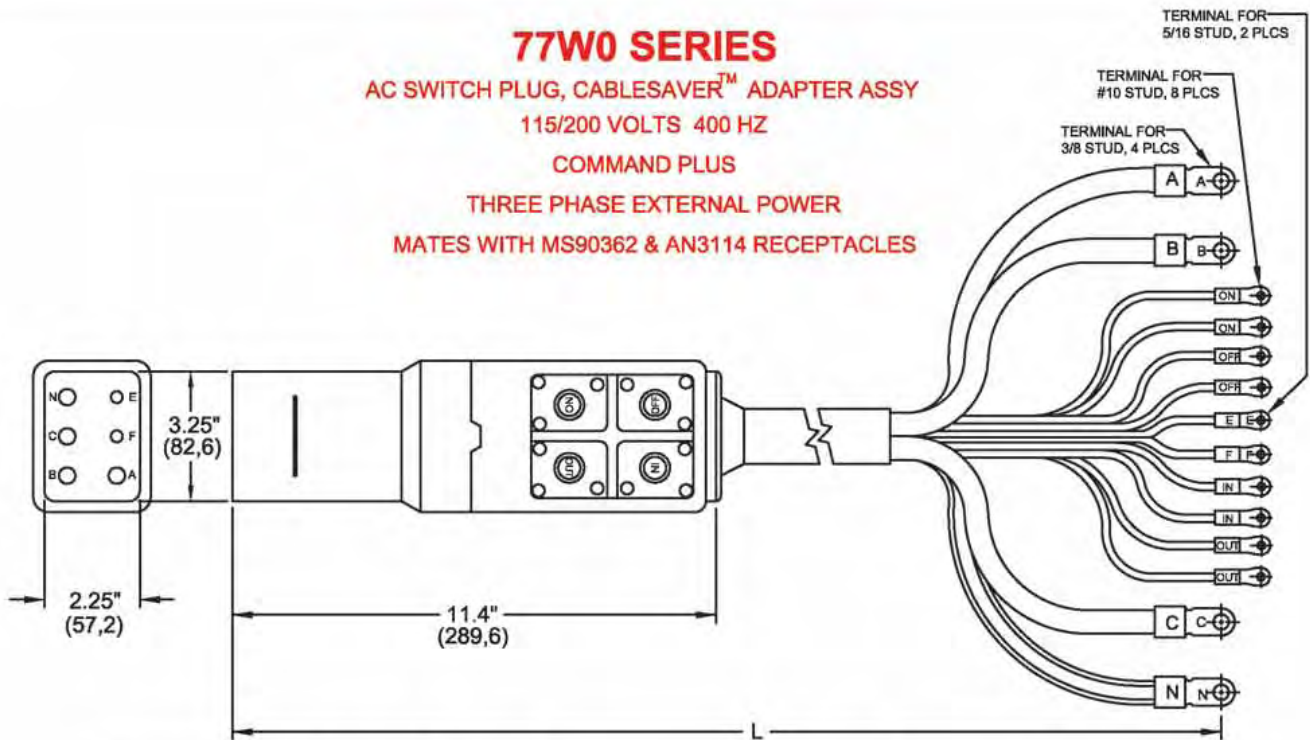
77WO SERIES
AC SWITCH PLUG, CABLESAVER™ ADAPTER ASSY
115/200 VOLTS 400 HZ
THREE PHASE EXTERNAL POWER
MATES WITH MS90362 & AN3114 RECEPTACLES



BURTON PART NO.	LENGTH FEET	LENGTH METERS	CABLE DESCRIPTION	WT./ASSY LBS.	CABLE CONFIGURATION
77WO-1331-0020	20	6.10	4-1/0 AWG SINGLE CONDUCTORS, 1-12/2 CONTROL LEAD, 2-12/4 ON-OFF / IN-OUT, AND NON-METALLIC BANDS.	65	
77WO-1331-0030	30	9.14		98	
77WO-1331-0040	40	12.19		131	
77WO-1331-0060	60	18.29		196	
77WO-1331-0080	80	24.38		261	
77WO-1331-0100	100	30.48	326		
77WO-2331-0020	20	6.10	4-2/0 AWG SINGLE CONDUCTORS, 1-12/2 CONTROL LEAD, 2-12/4 ON-OFF / IN-OUT, AND NON-METALLIC BANDS.	75	
77WO-2331-0030	30	9.14		113	
77WO-2331-0040	40	12.19		151	
77WO-2331-0060	60	18.29		226	
77WO-2331-0080	80	24.38		301	
77WO-2331-0100	100	30.48	376		
77WO-1330-0020	20	6.10	4-1/0 AWG SINGLE CONDUCTORS, NO CONTROL LEAD, E AND F SHUNTED IN PLUG, 2-12/4 ON-OFF / IN-OUT AND NON-METALLIC BANDS.	62	
77WO-1330-0030	30	9.14		93	
77WO-1330-0040	40	12.19		125	
77WO-1330-0060	60	18.29		186	
77WO-1330-0080	80	24.38		248	
77WO-1330-0100	100	30.48	310		
77WO-2330-0020	20	6.10	4-2/0 AWG SINGLE CONDUCTORS, NO CONTROL LEAD, E AND F SHUNTED IN PLUG, 2-12/4 ON-OFF / IN-OUT AND NON-METALLIC BANDS.	72	
77WO-2330-0030	30	9.14		108	
77WO-2330-0040	40	12.19		145	
77WO-2330-0060	60	18.29		216	
77WO-2330-0080	80	24.38		288	
77WO-2330-0100	100	30.48	360		
77WO-1332-0020	20	6.10	4-1/0 AWG SINGLE CONDUCTORS, 1-12/2 CONTROL LEAD E AND F SHUNTED IN PLUG, 2-12/4 ON-OFF / IN-OUT AND NON-METALLIC BANDS.	65	
77WO-1332-0030	30	9.14		98	
77WO-1332-0040	40	12.19		131	
77WO-1332-0060	60	18.29		196	
77WO-1332-0080	80	24.38		261	
77WO-1332-0100	100	30.48	326		
77WO-2332-0020	20	6.10	4-2/0 AWG SINGLE CONDUCTORS, 1-12/2 CONTROL LEAD E AND F SHUNTED IN PLUG, 2-12/4 ON-OFF / IN-OUT AND NON-METALLIC BANDS.	75	
77WO-2332-0030	30	9.14		113	
77WO-2332-0040	40	12.19		151	
77WO-2332-0060	60	18.29		226	
77WO-2332-0080	80	24.38		301	
77WO-2332-0100	100	30.48	376		

SPECIAL LENGTHS, WIRE GAGES, CABLE CONFIGURATIONS, OR 2 BUTTON SWITCH ASSEMBLIES ARE AVAILABLE UPON REQUEST.

77WO SERIES
AC SWITCH PLUG, CABLESAVER™ ADAPTER ASSY
115/200 VOLTS 400 HZ
COMMAND PLUS
THREE PHASE EXTERNAL POWER
MATES WITH MS90362 & AN3114 RECEPTACLES



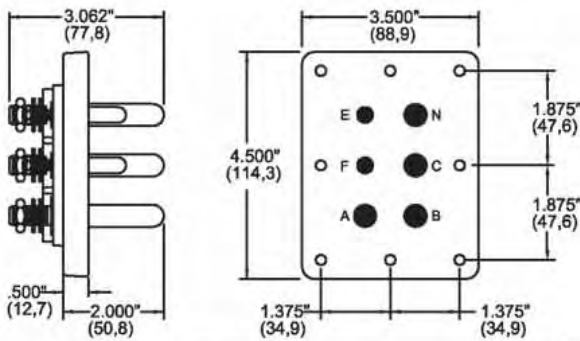
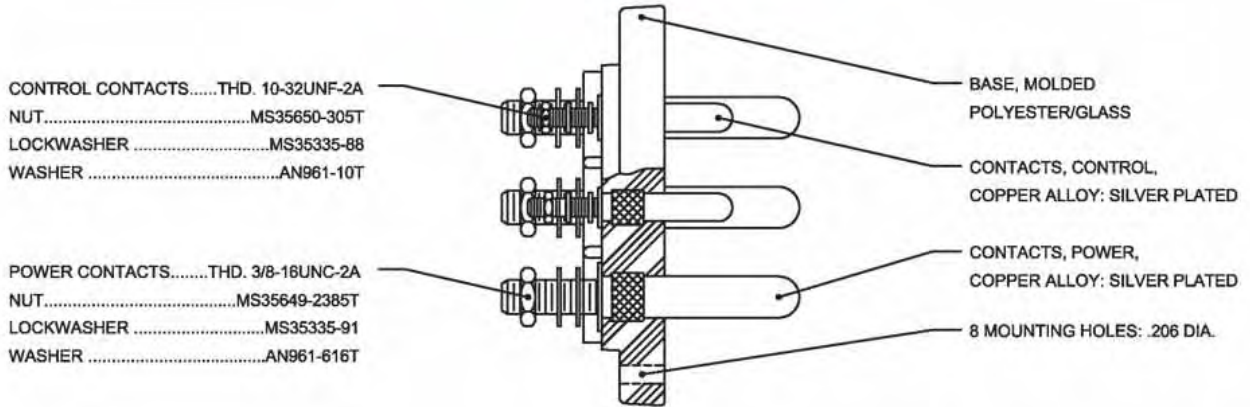
BURTON PART NO.	LENGTH FEET	LENGTH METERS	CABLE DESCRIPTION	WT./ASSY LBS.	CABLE CONFIGURATION
77WO-5331-0020	20	6.10	3-1/0 AWG SINGLE CONDUCTORS,	53	
77WO-5331-0030	30	9.14	3-6 AWG SINGLE CONDUCTORS,	76	
77WO-5331-0040	40	12.19	2-12 AWG CONTROL LEAD,	99	
77WO-5331-0060	60	18.29	8-16 AWG ON-OFF / IN-OUT,	145	
77WO-5331-0080	80	24.38	ALL UNDER NEOPRENE JACKET.	191	
77WO-5331-0100	100	30.48		237	
77WO-6331-0020	20	6.10	3-2/0 AWG SINGLE CONDUCTORS,	62	
77WO-6331-0030	30	9.14	3-4 AWG SINGLE CONDUCTORS,	89	
77WO-6331-0040	40	12.19	2-12 AWG CONTROL LEAD,	116	
77WO-6331-0060	60	18.29	8-16 AWG ON-OFF / IN-OUT,	171	
77WO-6331-0080	80	24.38	ALL UNDER NEOPRENE JACKET.	226	
77WO-6331-0100	100	30.48		281	
77WO-5330-0020	20	6.10	3-1/0 AWG SINGLE CONDUCTORS,	53	
77WO-5330-0030	30	9.14	3-6 AWG SINGLE CONDUCTORS,	76	
77WO-5330-0040	40	12.19	NO CONTROL LEAD,	99	
77WO-5330-0060	60	18.29	E AND F SHUNTED IN PLUG,	145	
77WO-5330-0080	80	24.38	8-16 AWG ON-OFF / IN-OUT,	191	
77WO-5330-0100	100	30.48	ALL UNDER NEOPRENE JACKET.	237	
77WO-6330-0020	20	6.10	3-2/0 AWG SINGLE CONDUCTORS,	62	
77WO-6330-0030	30	9.14	3-4 AWG SINGLE CONDUCTORS,	89	
77WO-6330-0040	40	12.19	NO CONTROL LEAD,	116	
77WO-6330-0060	60	18.29	E AND F SHUNTED IN PLUG,	171	
77WO-6330-0080	80	24.38	8-16 AWG ON-OFF / IN-OUT,	226	
77WO-6330-0100	100	30.48	ALL UNDER NEOPRENE JACKET.	281	
77WO-5332-0020	20	6.10	3-1/0 AWG SINGLE CONDUCTORS,	53	
77WO-5332-0030	30	9.14	3-6 AWG SINGLE CONDUCTORS,	76	
77WO-5332-0040	40	12.19	2-12 AWG CONTROL LEAD,	99	
77WO-5332-0060	60	18.29	E AND F SHUNTED IN PLUG,	145	
77WO-5332-0080	80	24.38	8-16 AWG ON-OFF / IN-OUT,	191	
77WO-5332-0100	100	30.48	ALL UNDER NEOPRENE JACKET.	237	
77WO-6332-0020	20	6.10	3-2/0 AWG SINGLE CONDUCTORS,	62	
77WO-6332-0030	30	9.14	3-4 AWG SINGLE CONDUCTORS,	89	
77WO-6332-0040	40	12.19	2-12 AWG CONTROL LEAD,	116	
77WO-6332-0060	60	18.29	E AND F SHUNTED IN PLUG,	171	
77WO-6332-0080	80	24.38	8-16 AWG ON-OFF / IN-OUT,	226	
77WO-6332-0100	100	30.48	ALL UNDER NEOPRENE JACKET.	281	

SPECIAL LENGTHS, WIRE GAGES, CABLE CONFIGURATIONS, OR 2 BUTTON SWTCH ASSEMBLIES ARE AVAILABLE UPON REQUEST.

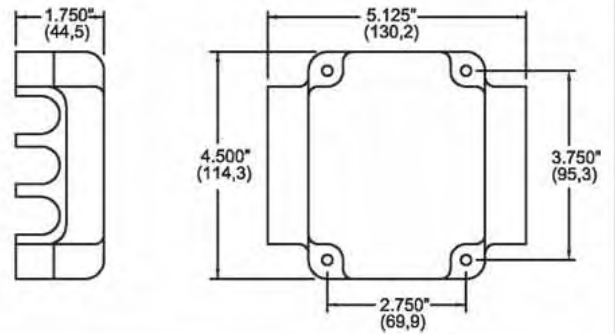
AN3114

AC RECEPTACLE

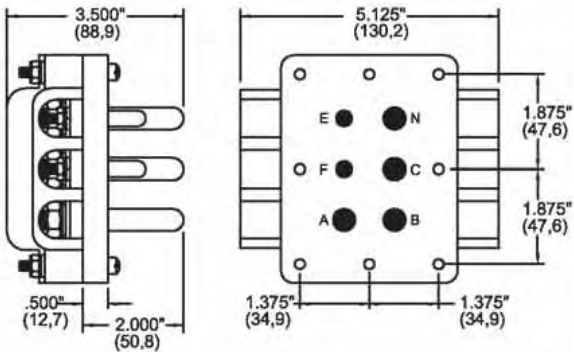
AIRCRAFT & GROUND EQUIPMENT MOUNTED



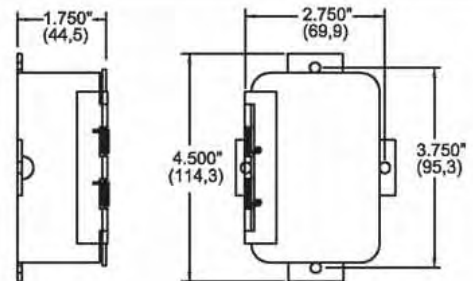
BURTON PART NO.	MILITARY PART NO.	DESCRIPTION
2550-0001-0000	AN3114-1B	RECEPTACLE



BURTON PART NO.	MILITARY PART NO.	DESCRIPTION
2560-0001-0000	AN3114-3A	TERMINAL COVER



BURTON PART NO.	MILITARY PART NO.	DESCRIPTION
2550-0026-0000	AN3114-2A	RECEPTACLE WITH TERMINAL COVER



BURTON PART NO.	MILITARY PART NO.	DESCRIPTION
2540-0001-0000	—	SHIELD WITH SPRING-LOADED DOOR

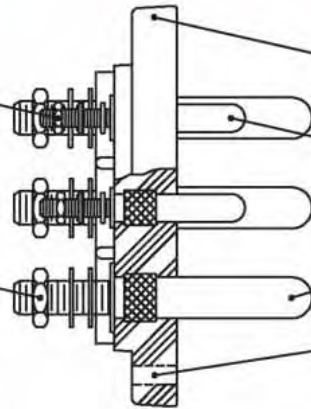
MS90362

AC RECEPTACLE

AIRCRAFT & GROUND EQUIPMENT MOUNTED

CONTROL CONTACTS.....THD. 10-32UNF-2A
 NUT.....MS35650-305T
 LOCKWASHER.....MS35335-88
 WASHER.....AN961-10T

POWER CONTACTS.....THD. 3/8-24UNF-2A
 NUT.....MS35650-3385T
 LOCKWASHER.....MS35335-91
 WASHER.....AN961-616T

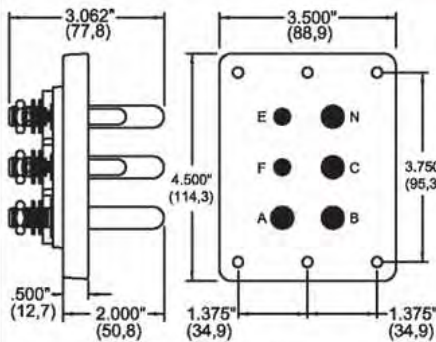


BASE, MOLDED
 POLYESTER/GLASS

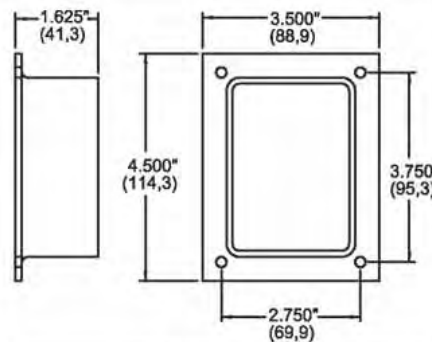
CONTACTS, CONTROL,
 COPPER ALLOY: SILVER PLATED

CONTACTS, POWER,
 COPPER ALLOY: SILVER PLATED

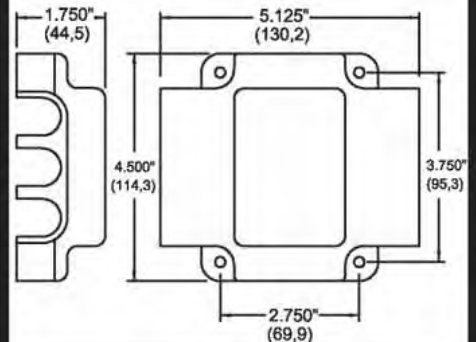
6 MOUNTING HOLES: .206 DIA.



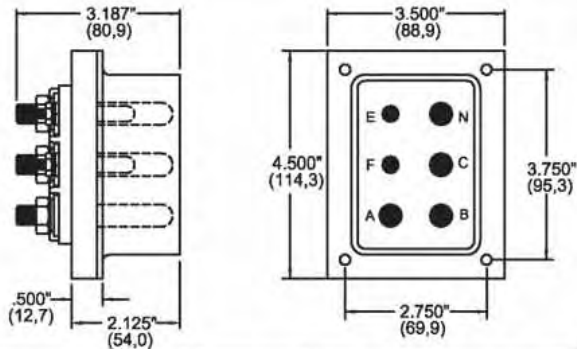
BURTON PART NO.	MILITARY PART NO.	DESCRIPTION
2550-0100-0000	MS90362-3	RECEPTACLE



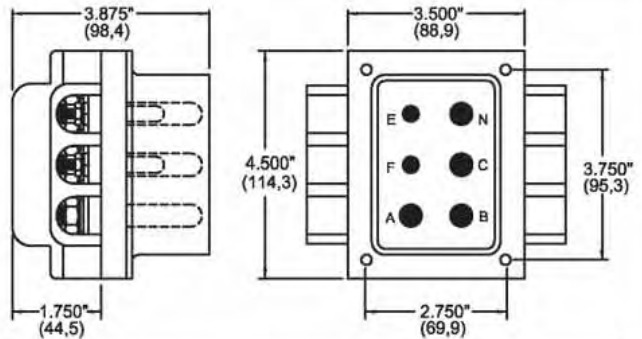
BURTON PART NO.	MILITARY PART NO.	DESCRIPTION
2550-0100-0002	MS17845-1	SHIELD



BURTON PART NO.	MILITARY PART NO.	DESCRIPTION
2560-0105-0000	MS3505-1	TERMINAL COVER



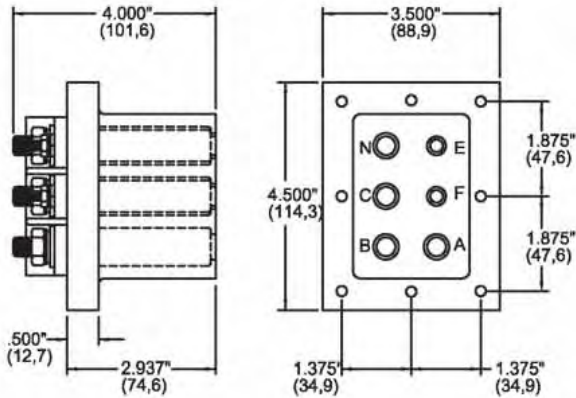
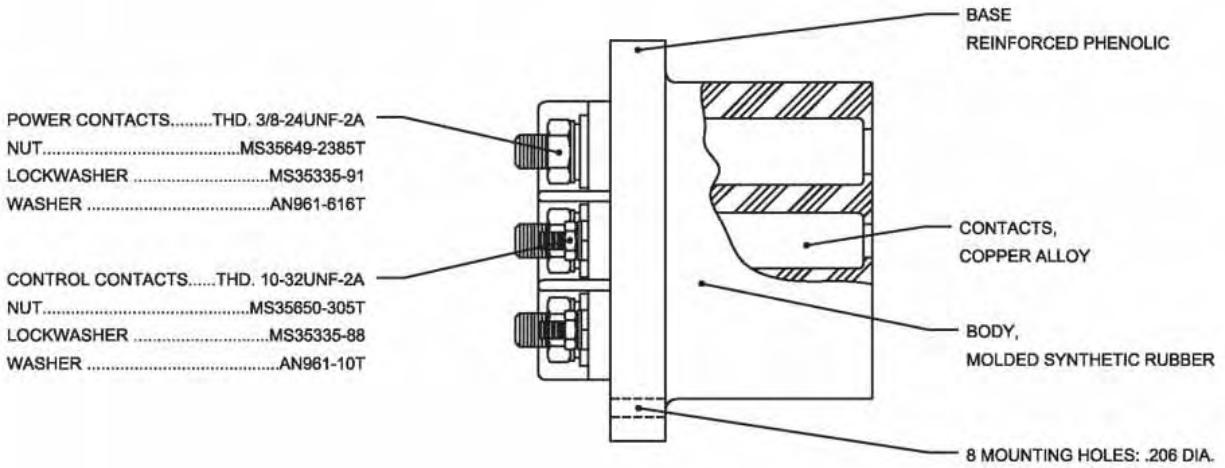
BURTON PART NO.	MILITARY PART NO.	DESCRIPTION
2550-0101-0000	MS90362-1	RECEPTACLE WITH SHIELD



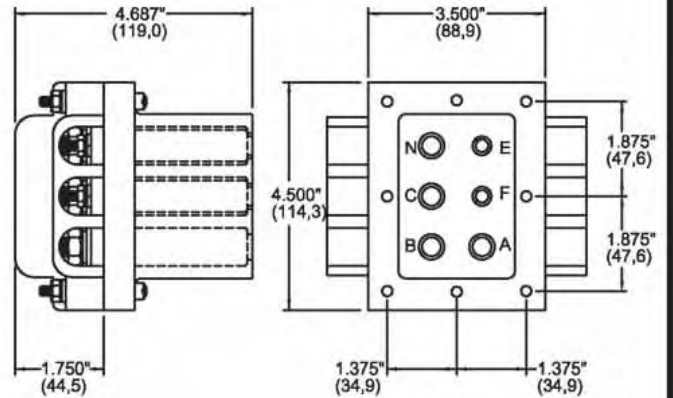
BURTON PART NO.	MILITARY PART NO.	DESCRIPTION
2550-0104-0000	MS90362-4	RECEPTACLE WITH TERMINAL COVER AND SHIELD

1940 SERIES

AC RECEPTACLE
FEMALE - PANEL MOUNTED

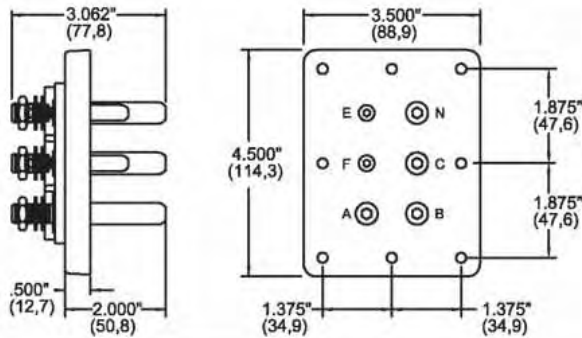
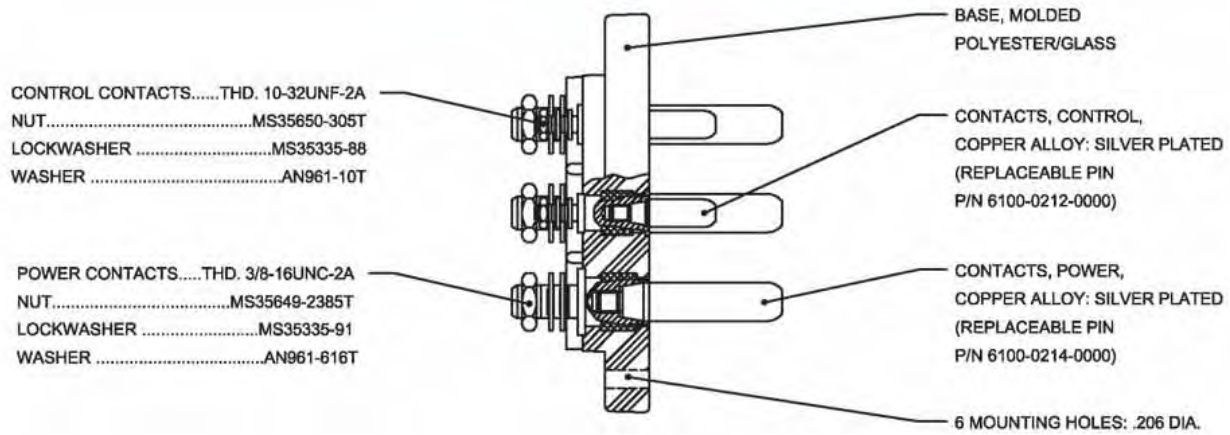


BURTON PART NO.	MATING UNIT	DESCRIPTION
1940-0001-0000	SERIES 1701, 1711	RECEPTACLE

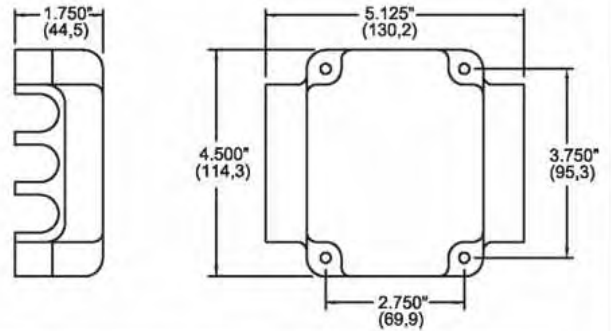


BURTON PART NO.	MATING UNIT	DESCRIPTION
1940-0002-0000	SERIES 1701, 1711	RECEPTACLE WITH TERMINAL COVER

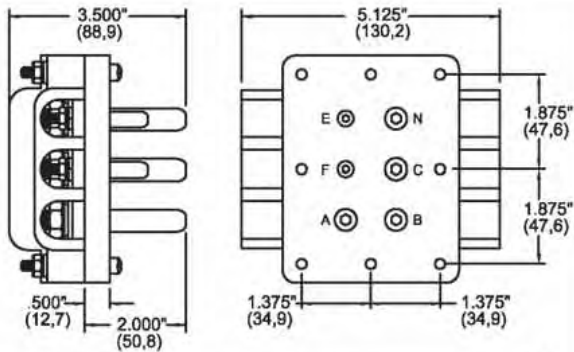
**AC RECEPTACLE
WITH REPLACEABLE CONTACTS
AIRCRAFT & GROUND EQUIPMENT MOUNTED**



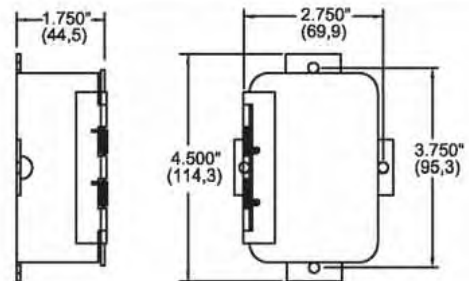
BURTON PART NO.	DESCRIPTION
2550-0001-R000	RECEPTACLE (SIMILAR TO AN3114-1B)



BURTON PART NO.	MILITARY PART NO.	DESCRIPTION
2560-0001-0000	AN3114-3A	TERMINAL COVER

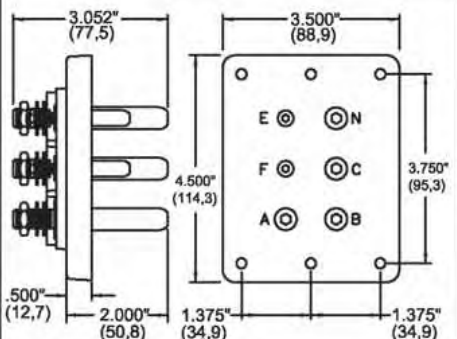
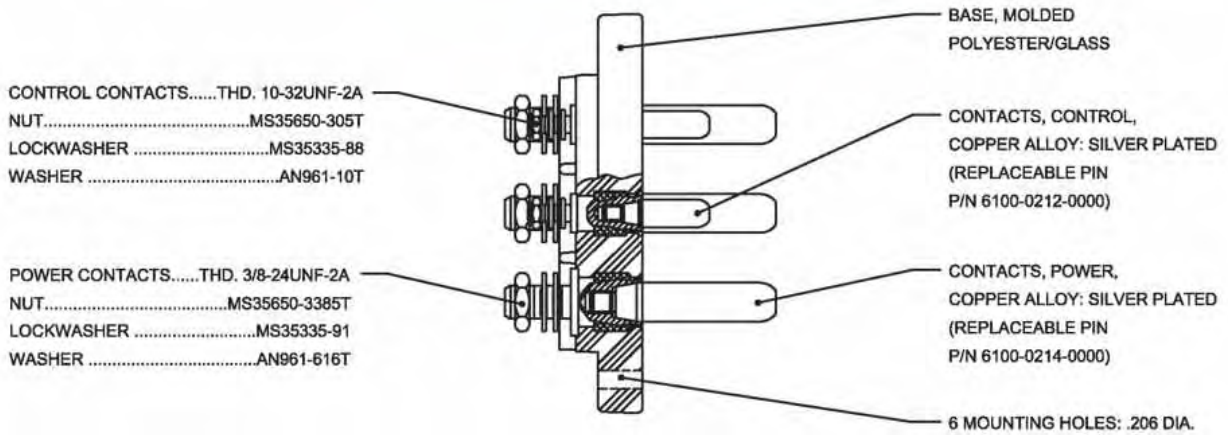


BURTON PART NO.	DESCRIPTION
2550-0026-R000	RECEPTACLE WITH TERMINAL COVER (SIMILAR TO AN3114-2A)

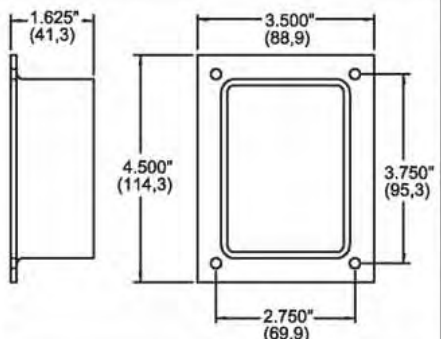


BURTON PART NO.	MILITARY PART NO.	DESCRIPTION
2540-0001-0000	—	SHIELD WITH SPRING-LOADED DOOR

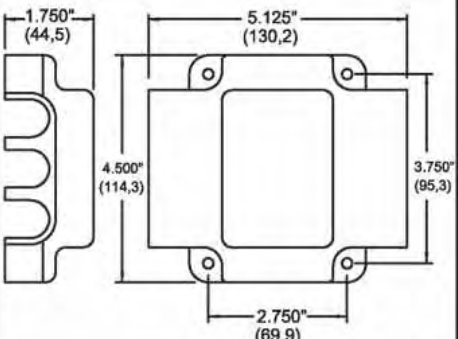
**AC RECEPTACLE
WITH REPLACEABLE CONTACTS
AIRCRAFT & GROUND EQUIPMENT MOUNTED**



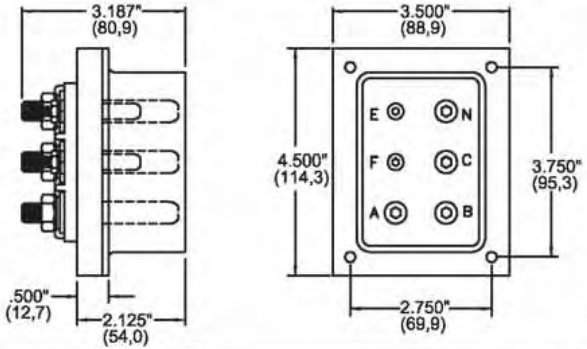
BURTON PART NO.	DESCRIPTION
2550-0100-R000	RECEPTACLE (SIMILAR TO MS90362-3)



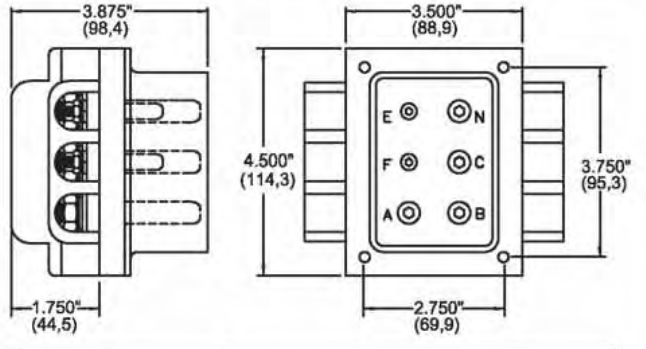
BURTON PART NO.	MILITARY PART NO.	DESCRIPTION
2550-0100-0002	MS17845-1	SHIELD



BURTON PART NO.	MILITARY PART NO.	DESCRIPTION
2560-0105-0000	MS3505-1	TERMINAL COVER



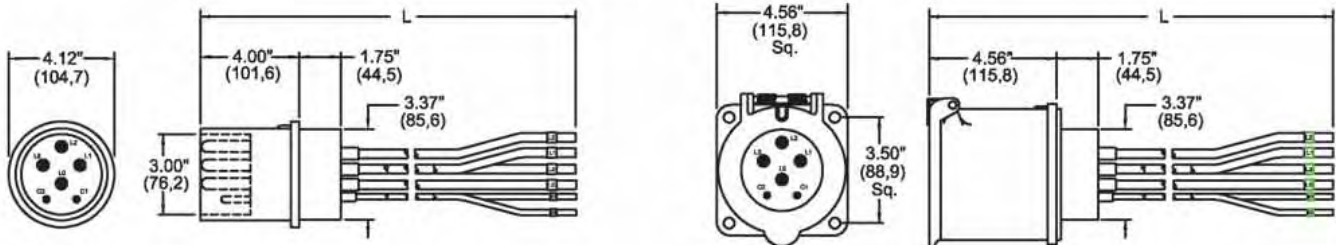
BURTON PART NO.	DESCRIPTION
2550-0101-R000	RECEPTACLE WITH SHIELD (SIMILAR TO MS90362-1)



BURTON PART NO.	DESCRIPTION
2550-0104-R000	RECEPTACLE WITH TERMINAL COVER AND SHIELD (SIMILAR TO MS90362-4)

AC RECEPTACLES
GROUND EQUIPMENT MOUNTED

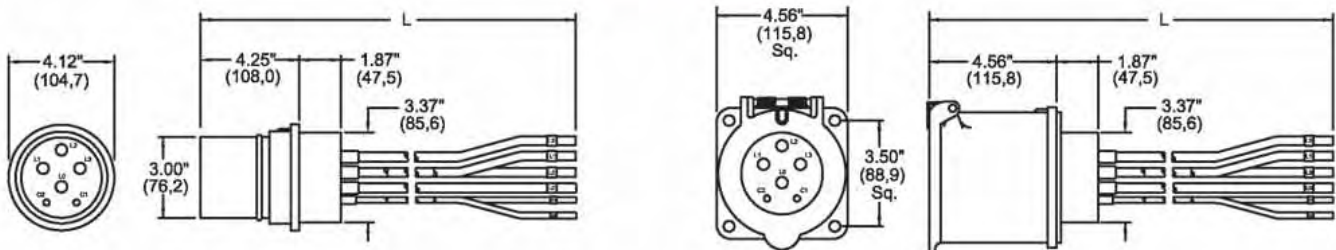
4121 SERIES



BURTON PART NO.	LENGTH FEET	LENGTH METERS	CABLE DESCRIPTION	REMARKS
4121-0151-0003	3	.914	MALE INSERT WITH MOUNTING SHIELD ASSEMBLY	MATES WITH 3151 SERIES CONNECTORS
4000-0151-0003	3	.914	MALE INSERT ONLY WITH 4-1/0 AWG AND 2-12 AWG	
4120-0000-0000	—	—	MOUNTING SHIELD ASSEMBLY ORANGE ENAMEL FINISH	ALUMINUM CASTING WITH SPRING LOADED COVER

SPECIAL LENGTHS, WIRE GAGES OR CABLE CONFIGURATIONS ARE AVAILABLE UPON REQUEST.

4122 SERIES

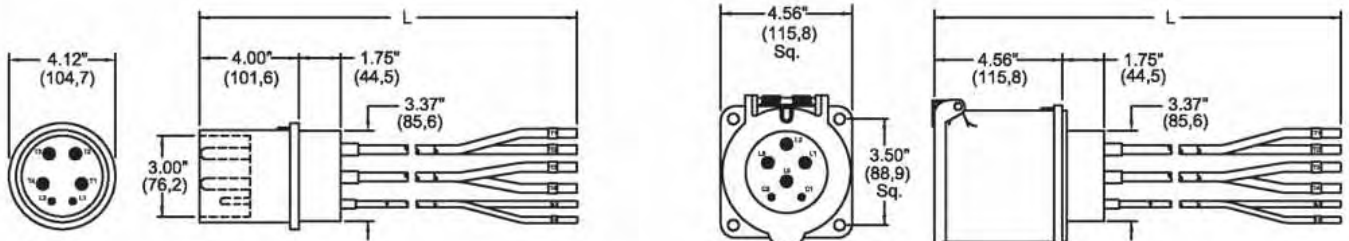


BURTON PART NO.	LENGTH FEET	LENGTH METERS	CABLE DESCRIPTION	REMARKS
4122-0151-0003	3	.914	FEMALE INSERT WITH MOUNTING SHIELD ASSEMBLY	MATES WITH 3150 SERIES CONNECTORS
4100-0151-0003	3	.914	FEMALE INSERT ONLY WITH 4-1/0 AWG AND 2-12 AWG	
4120-0000-0000	—	—	MOUNTING SHIELD ASSEMBLY ORANGE ENAMEL FINISH	ALUMINUM CASTING WITH SPRING LOADED COVER

SPECIAL LENGTHS, WIRE GAGES OR CABLE CONFIGURATIONS ARE AVAILABLE UPON REQUEST.

AC RECEPTACLES
GROUND EQUIPMENT MOUNTED

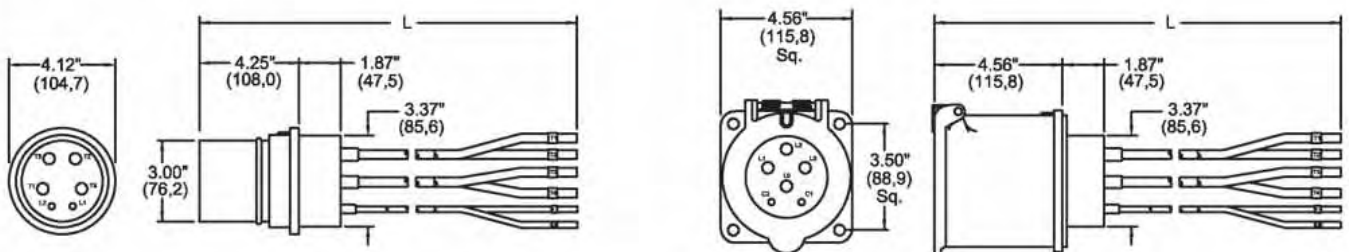
4123 SERIES



BURTON PART NO.	LENGTH FEET	LENGTH METERS	CABLE DESCRIPTION	REMARKS
4123-0151-0003	3	.914	MALE INSERT WITH MOUNTING SHIELD ASSEMBLY	MATES WITH 3801 SERIES CONNECTORS
3810-0151-0003	3	.914	MALE INSERT ONLY WITH 4-1/0 AWG AND 2-12 AWG	
4120-0000-0000	—	—	MOUNTING SHIELD ASSEMBLY ORANGE ENAMEL FINISH	ALUMINUM CASTING WITH SPRING LOADED COVER

SPECIAL LENGTHS, WIRE GAGES OR CABLE CONFIGURATIONS ARE AVAILABLE UPON REQUEST.

4124 SERIES

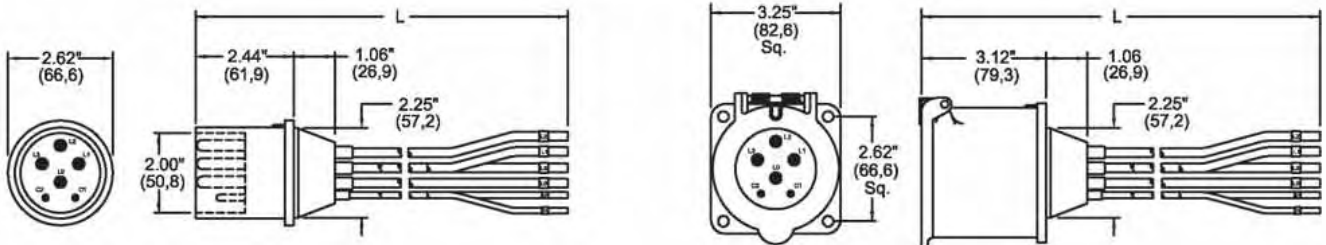


BURTON PART NO.	LENGTH FEET	LENGTH METERS	CABLE DESCRIPTION	REMARKS
4124-0151-0003	3	.914	FEMALE INSERT WITH MOUNTING SHIELD ASSEMBLY	MATES WITH 3800 SERIES CONNECTORS
3811-0151-0003	3	.914	FEMALE INSERT WITH 4-1/0 AWG AND 2-12 AWG	
4120-0000-0000	—	—	MOUNTING SHIELD ASSEMBLY ORANGE ENAMEL FINISH	ALUMINUM CASTING WITH SPRING LOADED COVER

SPECIAL LENGTHS, WIRE GAGES OR CABLE CONFIGURATIONS ARE AVAILABLE UPON REQUEST.

AC RECEPTACLES
GROUND EQUIPMENT MOUNTED LIGHT DUTY

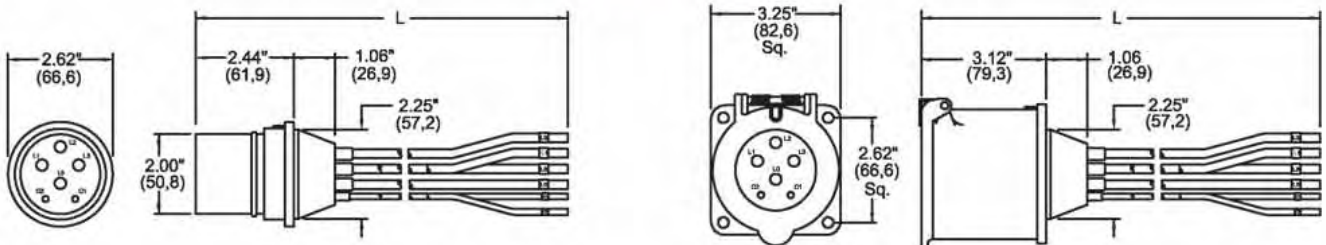
4171 SERIES



BURTON PART NO.	LENGTH FEET	LENGTH METERS	CABLE DESCRIPTION	REMARKS
4171-0451-0003	3	.914	MALE INSERT WITH MOUNTING SHIELD ASSEMBLY	MATES WITH 4300 SERIES CONNECTORS
4250-0451-0003	3	.914	MALE INSERT WITH 6-10 AWG SINGLE CONDUCTORS	
4170-0000-0000	—	—	MOUNTING SHIELD ASSEMBLY ORANGE ENAMEL FINISH	ALUMINUM CASTING WITH SPRING LOADED COVER

SPECIAL LENGTHS, WIRE GAGES OR CABLE CONFIGURATIONS ARE AVAILABLE UPON REQUEST.

4172 SERIES

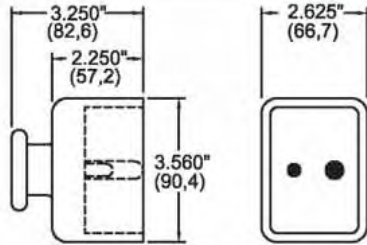


BURTON PART NO.	LENGTH FEET	LENGTH METERS	CABLE DESCRIPTION	REMARKS
4172-0451-0003	3	.914	FEMALE INSERT WITH MOUNTING SHIELD ASSEMBLY	MATES WITH 4200 SERIES CONNECTORS
4350-0451-0003	3	.914	FEMALE INSERT WITH 6-12 AWG SINGLE CONDUCTORS	
4170-0000-0000	—	—	MOUNTING SHIELD ASSEMBLY ORANGE ENAMEL FINISH	ALUMINUM CASTING WITH SPRING LOADED COVER

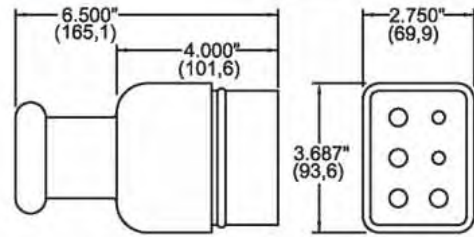
SPECIAL LENGTHS, WIRE GAGES OR CABLE CONFIGURATIONS ARE AVAILABLE UPON REQUEST.

AC SERIES DUST CAPS

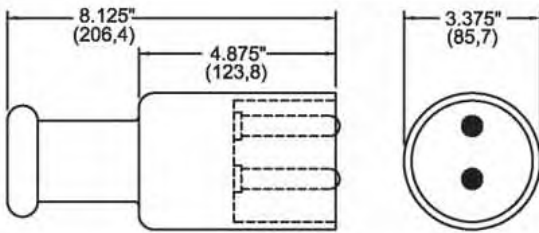
SAFETY CHAIN AVAILABLE UPON REQUEST



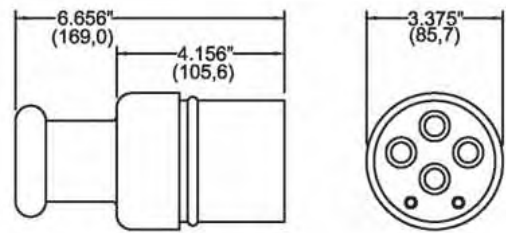
BURTON PART NO.	TYPE	MATING UNIT
508	MALE	SERIES 1680, 1688



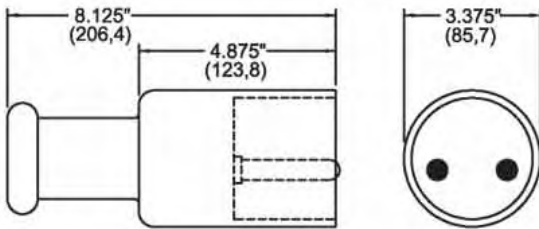
BURTON PART NO.	TYPE	MATING UNIT
513	FEMALE	SERIES 1701, 1711



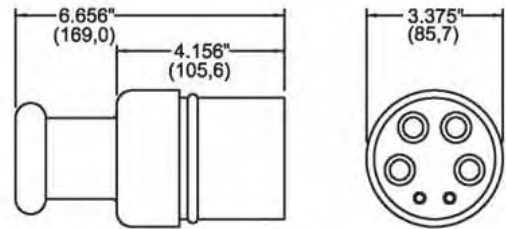
BURTON PART NO.	TYPE	MATING UNIT
315MC	MALE	SERIES 3151



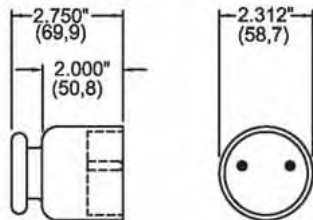
BURTON PART NO.	TYPE	MATING UNIT
315FC	FEMALE	SERIES 3150



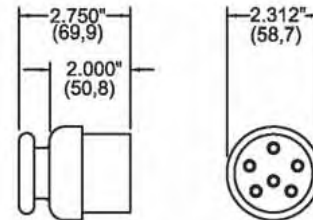
BURTON PART NO.	TYPE	MATING UNIT
380MC	MALE	SERIES 3801



BURTON PART NO.	TYPE	MATING UNIT
380FC	FEMALE	SERIES 3800

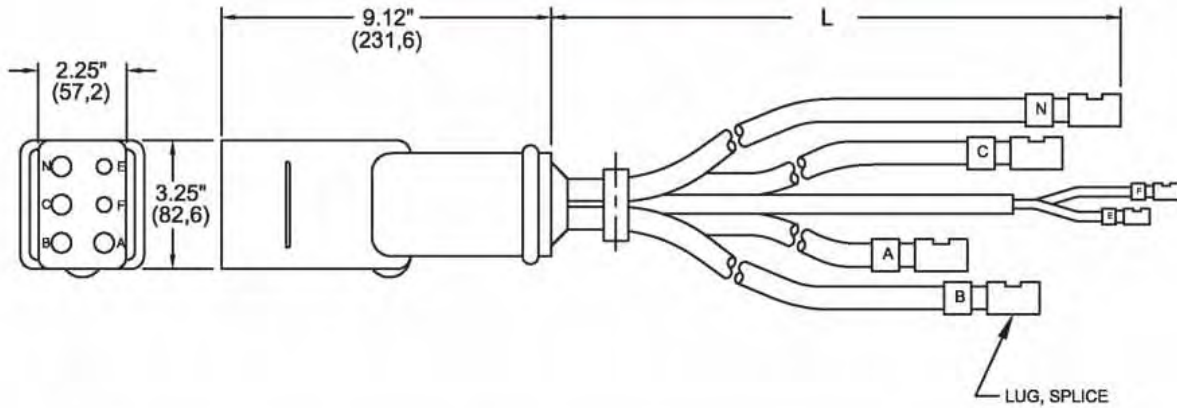


BURTON PART NO.	TYPE	MATING UNIT
512	MALE	SERIES 4300



BURTON PART NO.	TYPE	MATING UNIT
511	FEMALE	SERIES 4200

1680 SERIES
AC CABLE ASSEMBLIES, REPAIR KITS
115/200 VOLTS 400 HZ
THREE PHASE EXTERNAL POWER
MATES WITH MS90382 & AN3114 RECEPTACLES



BURTON PART NO.	LENGTH FT.	LENGTH METERS	CABLE DESCRIPTION	WT./ASSY LBS.	CABLE CONFIGURATION
1680-0176-0003	3	0.91	4-1/0 AWG SINGLE CONDUCTORS, 1-12/2 CONTROL LEAD, SILVER PLATED CONTACTS, AND NON-METALLIC BANDS.	11	
1680-0128-0003	3	0.91	4-2/0 AWG SINGLE CONDUCTORS, 1-12/2 CONTROL LEAD, SILVER PLATED CONTACTS, AND NON- METALLIC BANDS.	12	
1680-0188-0003	3	0.91	4-1/0 AWG SINGLE CONDUCTORS, NO CONTROL LEADS, E AND F SHUNTED IN PLUG, SILVER PLATED CONTACTS, AND NON-METALLIC BANDS.	10.5	
1680-0122-0003	3	0.91	4-2/0 AWG SINGLE CONDUCTORS, NO CONTROL LEADS, E AND F SHUNTED IN PLUG, SILVER PLATED CONTACTS, AND NON- METALLIC BANDS.	10.5	
1680-0198-0003	3	0.91	4-1/0 AWG SINGLE CONDUCTORS, 1-12/2 CONTROL LEADS, E AND F SHUNTED IN PLUG, SILVER PLATED CONTACTS, AND NON-METALLIC BANDS.	11	
1680-0133-0003	3	0.91	4-2/0 AWG SINGLE CONDUCTORS, 1-12/2 CONTROL LEADS, E AND F SHUNTED IN PLUG, SILVER PLATED CONTACTS, AND NON- METALLIC BANDS.	12	

SPECIAL LENGTHS, WIRE GAGES OR CABLE CONFIGURATIONS ARE AVAILABLE UPON REQUEST.

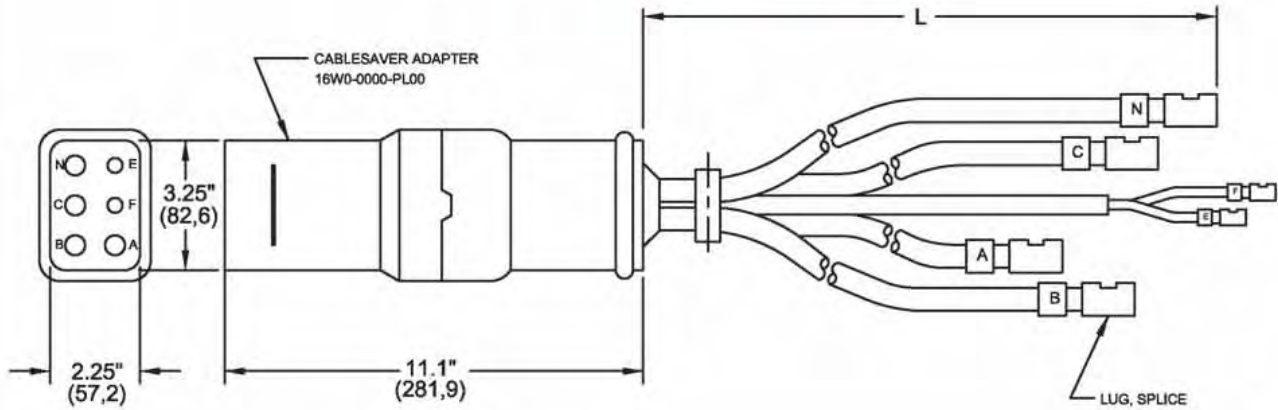
16W1 SERIES

AC CABLESAVER™ ADAPTER, REPAIR KITS

115/200 VOLTS 400 HZ

THREE PHASE EXTERNAL POWER

MATES WITH MS90362 & AN3114 RECEPTACLES



BURTON PART NO.	LENGTH FT.	LENGTH METERS	CABLE DESCRIPTION	WT./ASSY LBS.	CABLE CONFIGURATION
16W1-0176-0003	3	0.91	4-1/0 AWG SINGLE CONDUCTORS, 1-12/2 CONTROL LEAD, SILVER PLATED CONTACTS, AND NON-METALLIC BANDS.	14	
16W1-0128-0003	3	0.91	4-2/0 AWG SINGLE CONDUCTORS, 1-12/2 CONTROL LEAD, SILVER PLATED CONTACTS, AND NON-METALLIC BANDS.	15	
16W1-0188-0003	3	0.91	4-1/0 AWG SINGLE CONDUCTORS, NO CONTROL LEADS, E AND F SHUNTED IN PLUG, SILVER PLATED CONTACTS, AND NON-METALLIC BANDS.	13.5	
16W1-0122-0003	3	0.91	4-2/0 AWG SINGLE CONDUCTORS, NO CONTROL LEADS, E AND F SHUNTED IN PLUG, SILVER PLATED CONTACTS, AND NON-METALLIC BANDS.	13.5	
16W1-0198-0003	3	0.91	4-1/0 AWG SINGLE CONDUCTORS, 1-12/2 CONTROL LEADS, E AND F SHUNTED IN PLUG, SILVER PLATED CONTACTS, AND NON-METALLIC BANDS.	14	
16W1-0133-0003	3	0.91	4-2/0 AWG SINGLE CONDUCTORS, 1-12/2 CONTROL LEADS, E AND F SHUNTED IN PLUG, SILVER PLATED CONTACTS, AND NON-METALLIC BANDS.	15	

SPECIAL LENGTHS, WIRE GAGES OR CABLE CONFIGURATIONS ARE AVAILABLE UPON REQUEST.

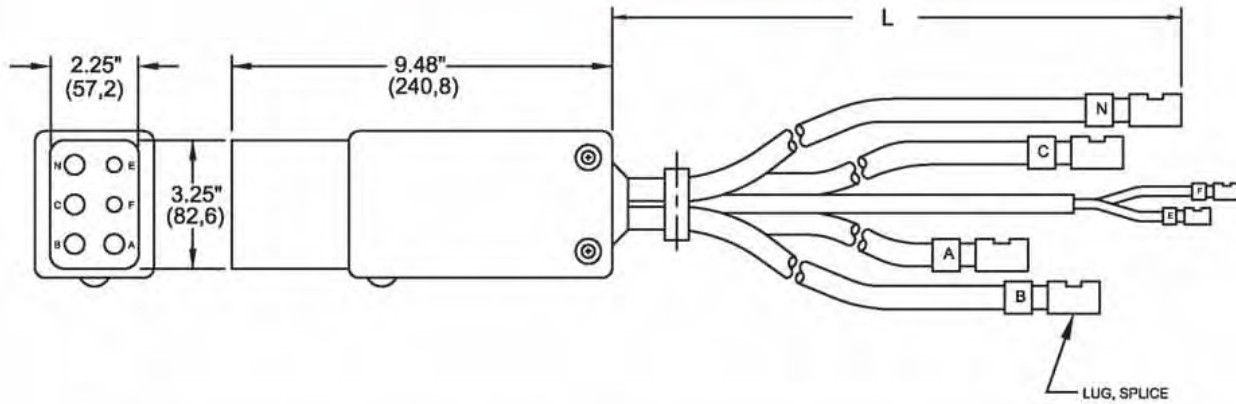
PG11 SERIES

AC PLUG GLOVE™ W/ MULTI-LAM CONTACTS, REPAIR KITS

115/200 VOLTS 400 HZ

THREE PHASE EXTERNAL POWER

MATES WITH MS90362 & AN3114 RECEPTACLES



BURTON PART NO.	LENGTH FT.	LENGTH METERS	CABLE DESCRIPTION	WT./ASSY LBS.	CABLE CONFIGURATION
PG11-0176-0003	3	0.91	4-1/0 AWG SINGLE CONDUCTORS, 1-12/2 CONTROL LEAD, SILVER PLATED CONTACTS, AND NON-METALLIC BANDS.	12	
PG11-0128-0003	3	0.91	4-2/0 AWG SINGLE CONDUCTORS, 1-12/2 CONTROL LEAD, SILVER PLATED CONTACTS, AND NON- METALLIC BANDS.	13	
PG11-0188-0003	3	0.91	4-1/0 AWG SINGLE CONDUCTORS, NO CONTROL LEADS, E AND F SHUNTED IN PLUG, SILVER PLATED CONTACTS, AND NON-METALLIC BANDS.	11.5	
PG11-0122-0003	3	0.91	4-2/0 AWG SINGLE CONDUCTORS, NO CONTROL LEADS, E AND F SHUNTED IN PLUG, SILVER PLATED CONTACTS, AND NON- METALLIC BANDS.	12.5	
PG11-0188-0003	3	0.91	4-1/0 AWG SINGLE CONDUCTORS, 1-12/2 CONTROL LEADS, E AND F SHUNTED IN PLUG, SILVER PLATED CONTACTS, AND NON-METALLIC BANDS.	12	
PG11-0133-0003	3	0.91	4-2/0 AWG SINGLE CONDUCTORS, 1-12/2 CONTROL LEADS, E AND F SHUNTED IN PLUG, SILVER PLATED CONTACTS, AND NON- METALLIC BANDS.	13	

SPECIAL LENGTHS, WIRE GAGES OR CABLE CONFIGURATIONS ARE AVAILABLE UPON REQUEST.

PG12 SERIES

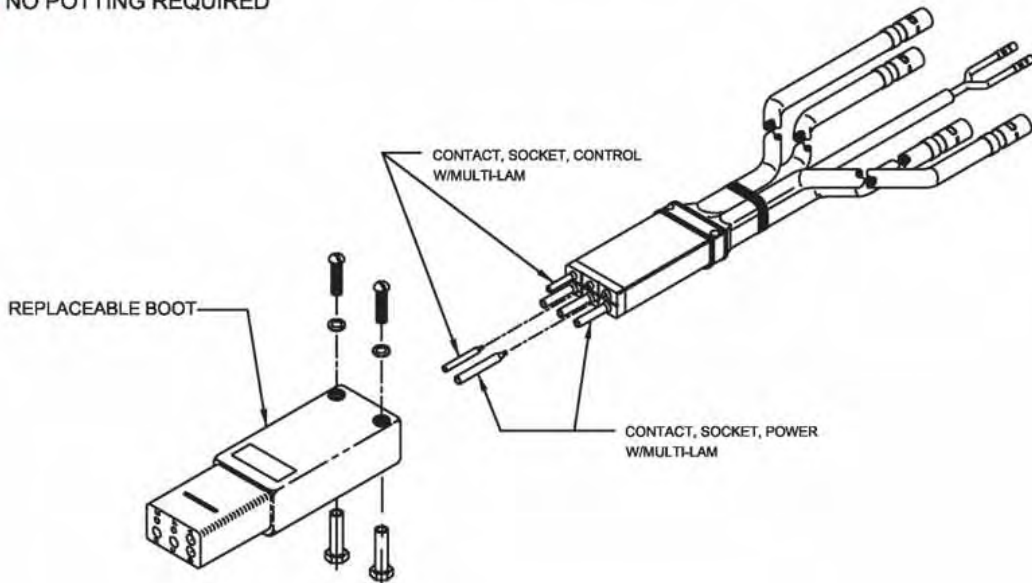
AC PLUG GLOVE™ ASSY W/ REPLACEABLE MULTI-LAM CONTACTS, REPAIR KITS

115/200 VOLTS 400 HZ

THREE PHASE EXTERNAL POWER

MATES WITH MS90362 & AN3114 RECEPTACLES

- ▶ REPLACEMENT OF THE COMPLETE PLUG IS NOT REQUIRED
- ▶ ASSEMBLE IN FREE AIR
- ▶ NO POTTING REQUIRED



REPLACEMENT COMPONENT PARTS:

BURTON PART NO.	DESCRIPTION
6700-0745-0000	REPLACEABLE BOOT
6000-0233-0000	CONTACT, SOCKET, POWER
6000-0199-0001	MULTI-LAM (USE TO REPLACE DAMAGED MULTI-LAM USED IN CONTACT 6000-0233-0000)
6000-0234-0000	CONTACT, SOCKET, CONTROL, #12 W/ MULTI-LAM
6000-0198-0001	MULTI-LAM (USE TO REPLACE DAMAGED MULTI-LAM USED IN CONTACT 6000-0234-0000)

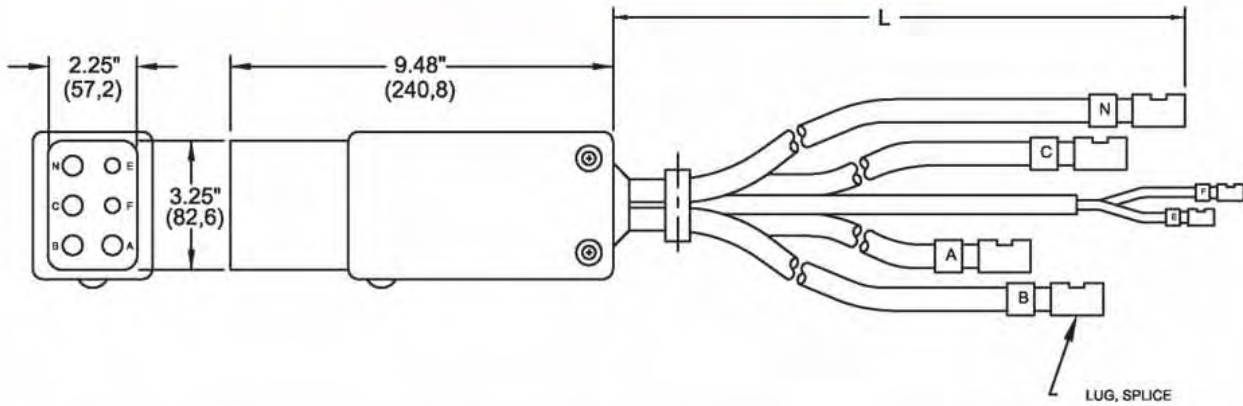
PG12 SERIES

AC PLUG GLOVE™ W/ REPLACEABLE MULTI-LAM CONTACTS, REPAIR KITS

115/200 VOLTS 400 HZ

THREE PHASE EXTERNAL POWER

MATES WITH MS90362 & AN3114 RECEPTACLES



BURTON PART NO.	LENGTH FT.	LENGTH METERS	CABLE DESCRIPTION	WT./ASSY LBS.	CABLE CONFIGURATION
PG12-0176-0003	3	0.91	4-1/0 AWG SINGLE CONDUCTORS, 1-12/2 CONTROL LEAD, SILVER PLATED CONTACTS, AND NON-METALLIC BANDS.	12	
PG12-0128-0003	3	0.91	4-2/0 AWG SINGLE CONDUCTORS, 1-12/2 CONTROL LEAD, SILVER PLATED CONTACTS, AND NON-METALLIC BANDS.	13	
PG12-0188-0003	3	0.91	4-1/0 AWG SINGLE CONDUCTORS, NO CONTROL LEADS, E AND F SHUNTED IN PLUG, SILVER PLATED CONTACTS, AND NON-METALLIC BANDS.	11.5	
PG12-0122-0003	3	0.91	4-2/0 AWG SINGLE CONDUCTORS, NO CONTROL LEADS, E AND F SHUNTED IN PLUG, SILVER PLATED CONTACTS, AND NON-METALLIC BANDS.	12.5	
PG12-0188-0003	3	0.91	4-1/0 AWG SINGLE CONDUCTORS, 1-12/2 CONTROL LEADS, E AND F SHUNTED IN PLUG, SILVER PLATED CONTACTS, AND NON-METALLIC BANDS.	12	
PG12-0133-0003	3	0.91	4-2/0 AWG SINGLE CONDUCTORS, 1-12/2 CONTROL LEADS, E AND F SHUNTED IN PLUG, SILVER PLATED CONTACTS, AND NON-METALLIC BANDS.	13	

SPECIAL LENGTHS, WIRE GAGES OR CABLE CONFIGURATIONS ARE AVAILABLE UPON REQUEST.

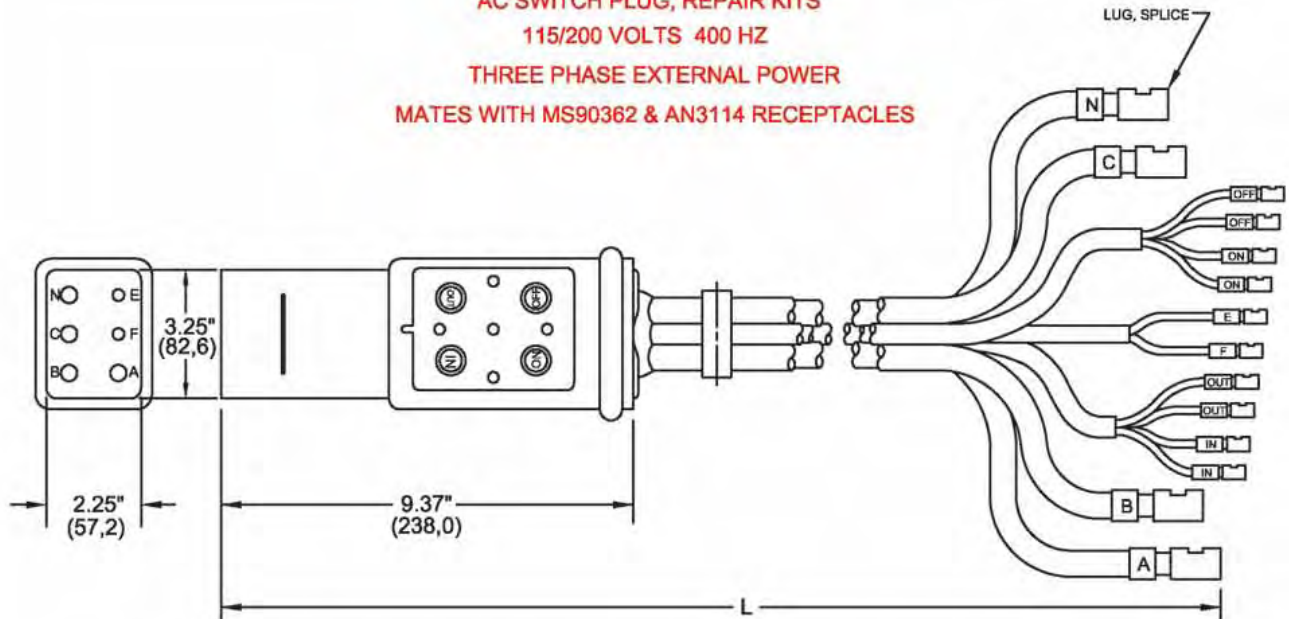
7700 SERIES

AC SWITCH PLUG, REPAIR KITS

115/200 VOLTS 400 HZ

THREE PHASE EXTERNAL POWER

MATES WITH MS90362 & AN3114 RECEPTACLES



BURTON PART NO.	LENGTH FEET	LENGTH METERS	CABLE DESCRIPTION	WT./ASSY LBS.	CABLE CONFIGURATION
7700-0090-0012	12.5	3.81	4-1/0 AWG SINGLE CONDUCTORS, 1-12/2 CONTROL LEAD, 2-12/4 ON-OFF / IN-OUT, AND NON-METALLIC BAND.	26	
7700-0091-0012	12.5	3.81	4-2/0 AWG SINGLE CONDUCTORS, 1-12/2 CONTROL LEAD, 2-12/4 ON-OFF / IN-OUT, AND NON-METALLIC BAND.	29	
7700-0092-0011	11	3.35	4-1/0 AWG SINGLE CONDUCTORS, NO CONTROL LEAD, E AND F SHUNTED IN PLUG, 2-12/4 ON-OFF / IN-OUT AND NON-METALLIC BAND.	23	
7700-0093-0011	11	3.35	4-2/0 AWG SINGLE CONDUCTORS, NO CONTROL LEAD, E AND F SHUNTED IN PLUG, 2-12/4 ON-OFF / IN-OUT AND NON-METALLIC BAND.	26	
7700-0094-0012	12.5	3.81	4-1/0 AWG SINGLE CONDUCTORS, 1-12/2 CONTROL LEAD E AND F SHUNTED IN PLUG, 2-12/4 ON-OFF / IN-OUT AND NON-METALLIC BAND.	26	
7700-0095-0012	12.5	3.81	4-2/0 AWG SINGLE CONDUCTORS, 1-12/2 CONTROL LEAD E AND F SHUNTED IN PLUG, 2-12/4 ON-OFF / IN-OUT AND NON-METALLIC BAND.	29	

SPECIAL LENGTHS, WIRE GAGES, CABLE CONFIGURATIONS, OR 2 BUTTON SWITCH ASSEMBLIES ARE AVAILABLE UPON REQUEST.

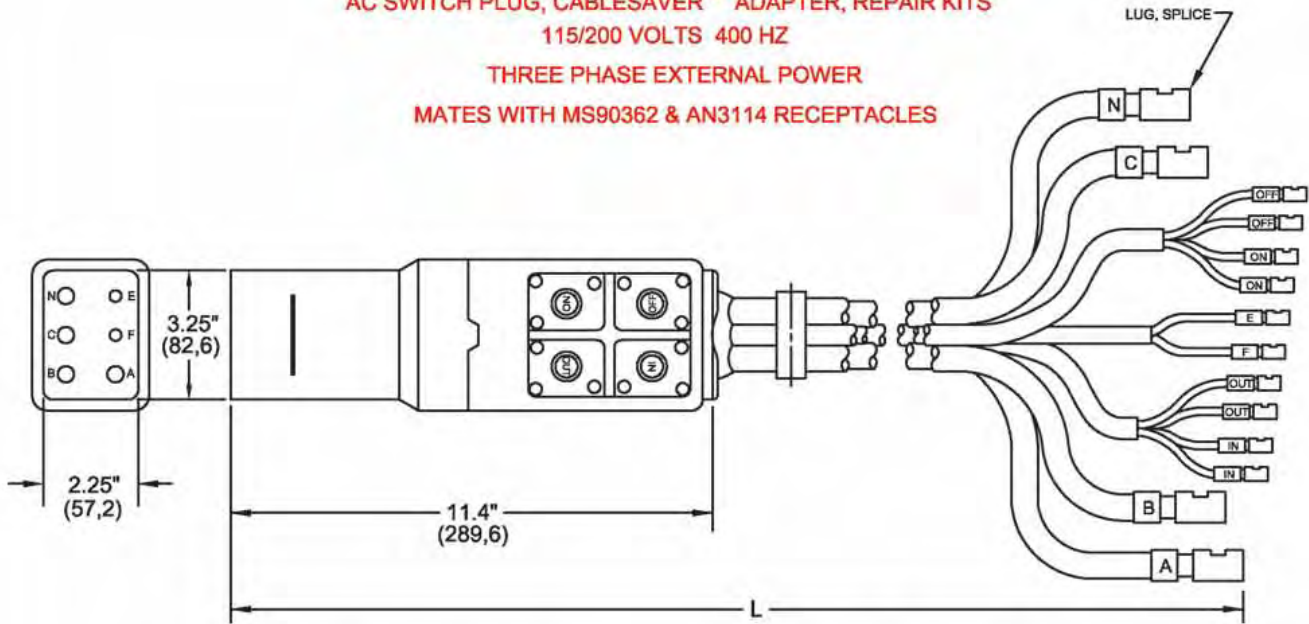
77W0 SERIES

AC SWITCH PLUG, CABLESAVER™ ADAPTER, REPAIR KITS

115/200 VOLTS 400 HZ

THREE PHASE EXTERNAL POWER

MATES WITH MS90362 & AN3114 RECEPTACLES



BURTON PART NO.	LENGTH FEET	LENGTH METERS	CABLE DESCRIPTION	WT./ASSY LBS.	CABLE CONFIGURATION
77W0-0080-0012	12.5	3.81	4-1/0 AWG SINGLE CONDUCTORS, 1-12/2 CONTROL LEAD, 2-12/4 ON-OFF / IN-OUT, AND NON-METALLIC BAND.	29	
77W0-0091-0012	12.5	3.81	4-2/0 AWG SINGLE CONDUCTORS, 1-12/2 CONTROL LEAD, 2-12/4 ON-OFF / IN-OUT, AND NON-METALLIC BAND.	32	
77W0-0092-0011	11	3.35	4-1/0 AWG SINGLE CONDUCTORS, NO CONTROL LEAD, E AND F SHUNTED IN PLUG, 2-12/4 ON-OFF / IN-OUT AND NON-METALLIC BAND.	26	
77W0-0093-0011	11	3.35	4-2/0 AWG SINGLE CONDUCTORS, NO CONTROL LEAD, E AND F SHUNTED IN PLUG, 2-12/4 ON-OFF / IN-OUT AND NON-METALLIC BAND.	29	
77W0-0094-0012	12.5	3.81	4-1/0 AWG SINGLE CONDUCTORS, 1-12/2 CONTROL LEAD E AND F SHUNTED IN PLUG, 2-12/4 ON-OFF / IN-OUT AND NON-METALLIC BAND.	29	
77W0-0095-0012	12.5	3.81	4-2/0 AWG SINGLE CONDUCTORS, 1-12/2 CONTROL LEAD E AND F SHUNTED IN PLUG, 2-12/4 ON-OFF / IN-OUT AND NON-METALLIC BAND.	32	

SPECIAL LENGTHS, WIRE GAGES, CABLE CONFIGURATIONS, OR 2 BUTTON SWITCH ASSEMBLIES ARE AVAILABLE UPON REQUEST.

16A8 SERIES

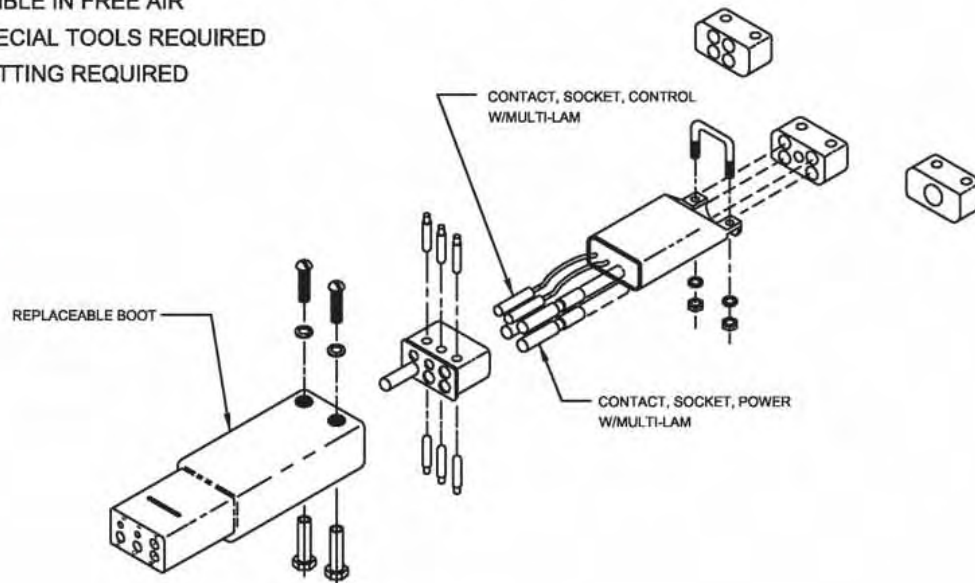
AC FIELD ATTACHABLE PLUG W/ MULTI-LAM CONTACTS

115/200 VOLTS 400 HZ

THREE PHASE EXTERNAL POWER

MATES WITH MS90362 & AN3114 RECEPTACLES

- ▶ REPLACEMENT OF THE COMPLETE PLUG IS NOT REQUIRED
- ▶ ASSEMBLE IN FREE AIR
- ▶ NO SPECIAL TOOLS REQUIRED
- ▶ NO POTTING REQUIRED



REPLACEMENT COMPONENT PARTS:

BURTON PART NO.	DESCRIPTION
6700-0745-0000	REPLACEABLE BOOT
6700-0755-0101	CONTACT, SOCKET, POWER, 1/0 W/ MULTI-LAM
6700-0757-0101	CONTACT, SOCKET, POWER, 2/0 W/ MULTI-LAM
8000-0199-0001	MULTI-LAM (USE TO REPLACE DAMAGED MULTI-LAM USED IN CONTACT 6700-0755-0101 & 6700-0757-0101)
6700-0755-0102	CONTACT, SOCKET, CONTROL, #12 W/ MULTI-LAM
8000-0198-0001	MULTI-LAM (USE TO REPLACE DAMAGED MULTI-LAM USED IN CONTACT 6700-0755-0102)

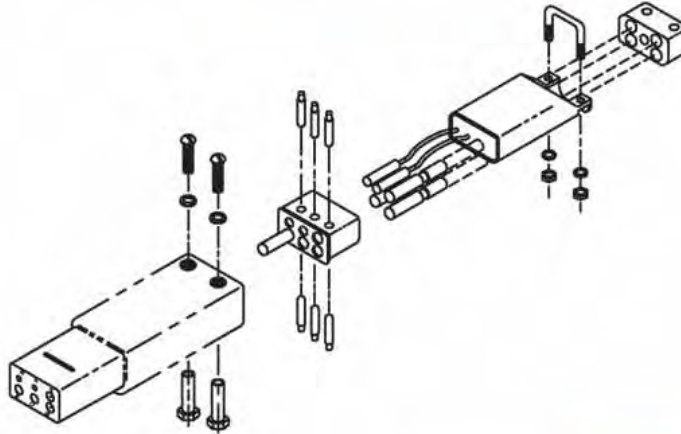
16A8 SERIES

AC FIELD-ATTACHABLE PLUG W/ MULTI-LAM CONTACTS

115/200 VOLTS 400 HZ

THREE PHASE EXTERNAL POWER

MATES WITH MS90362 & AN3114 RECEPTACLES



COMMAND PLUS

BURTON PART NO	CABLE ACCOMMODATION	CABLE CONFIGURATION
16A8-0151-0000	4-1/0 AWG SINGLE CONDUCTORS, 1-12/2 CONTROL LEAD, ALL PER MIL-C-5756	
16A8-0101-0000	4-2/0 AWG SINGLE CONDUCTORS, 1-12/2 CONTROL LEAD, ALL PER MIL-C-5756	
16A8-0152-0000	4-1/0 AWG SINGLE CONDUCTORS PER MIL-C-5756 NO CONTROL LEADS, E AND F SHUNTED IN PLUG,	
16A8-0102-0000	4-2/0 AWG SINGLE CONDUCTORS PER MIL-C-5756 NO CONTROL LEADS, E AND F SHUNTED IN PLUG,	
16A8-0165-0000	4-1/0 AWG SINGLE CONDUCTORS, 1-12/2 CONTROL LEADS, ALL PER MIL-C-5756 E AND F SHUNTED IN PLUG,	
16A8-0111-0000	4-2/0 AWG SINGLE CONDUCTORS, 1-12/2 CONTROL LEADS, ALL PER MIL-C-5756 E AND F SHUNTED IN PLUG,	

BURTON PART NO	CABLE ACCOMMODATION	CABLE CONFIGURATION
16A8-5151-0000 16A8-5151-0000 16A8-5151-0000 16A8-5151-0000 16A8-5151-0100	3-1/0 AWG SINGLE CONDUCTORS, 3-6 AWG SINGLE CONDUCTORS, 2-12 AWG CONTROL LEAD, ALL UNDER NEOPRENE JACKET.	
16A8-5101-0000 16A8-5101-0000 16A8-5101-0000 16A8-5101-0000 16A8-5101-0000	3-2/0 AWG SINGLE CONDUCTORS, 3-4 AWG SINGLE CONDUCTORS, 2-12 AWG CONTROL LEAD, ALL UNDER NEOPRENE JACKET.	
16A8-5152-0000 16A8-5152-0000 16A8-5152-0000 16A8-5152-0000 16A8-5152-0000	3-1/0 AWG SINGLE CONDUCTORS, 3-6 AWG SINGLE CONDUCTORS, ALL UNDER NEOPRENE JACKET.	
16A8-5102-0000 16A8-5102-0000 16A8-5102-0000 16A8-5102-0000 16A8-5102-0000	3-2/0 AWG SINGLE CONDUCTORS, 3-4 AWG SINGLE CONDUCTORS, ALL UNDER NEOPRENE JACKET.	
16A8-5165-0000 16A8-5165-0000 16A8-5165-0000 16A8-5165-0000 16A8-5165-0000	3-1/0 AWG SINGLE CONDUCTORS, 3-6 AWG SINGLE CONDUCTORS, 2-12 AWG CONTROL LEAD, E & F SHUNTED IN PLUG ALL UNDER NEOPRENE JACKET.	
16A8-5111-0000 16A8-5111-0000 16A8-5111-0000 16A8-5111-0000 16A8-5111-0000	3-2/0 AWG SINGLE CONDUCTORS, 3-4 AWG SINGLE CONDUCTORS, 2-12 AWG CONTROL LEAD, E & F SHUNTED IN PLUG ALL UNDER NEOPRENE JACKET.	

SPECIAL WIRE GAGES OR CABLE CONFIGURATIONS ARE AVAILABLE UPON REQUEST.

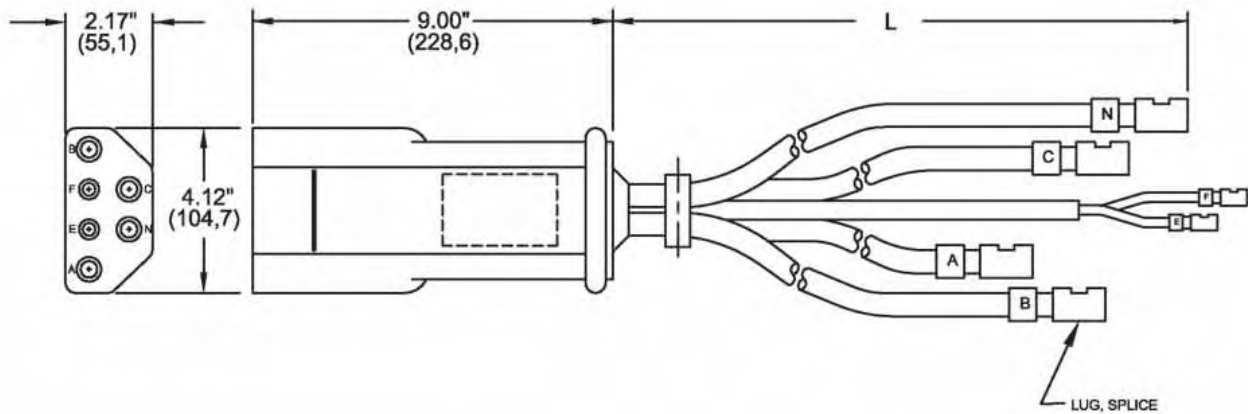
1810 SERIES

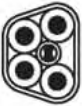

B1-B AC CABLE ASSEMBLIES, REPAIR KITS

230/400 VOLTS 400 HZ

THREE PHASE EXTERNAL POWER

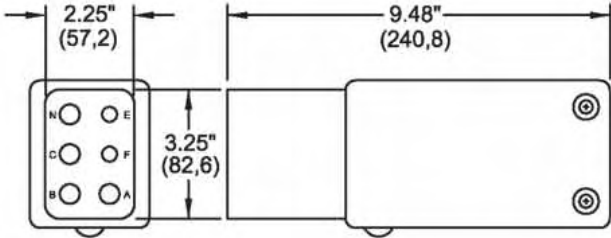
MATES WITH MS21379 RECEPTACLES



BURTON PART NO.	LENGTH FT.	LENGTH METERS	CABLE DESCRIPTION	WT./ASSY LBS.	CABLE CONFIGURATION
1810-0176-0003	3	0.91	4-1/0 AWG SINGLE CONDUCTORS, 1-12/2 CONTROL LEAD, SILVER PLATED CONTACTS, AND NON-METALLIC BANDS.	11	
1810-0128-0003	3	0.91	4-2/0 AWG SINGLE CONDUCTORS, 1-12/2 CONTROL LEAD, SILVER PLATED CONTACTS, AND NON-METALLIC BANDS.	12	

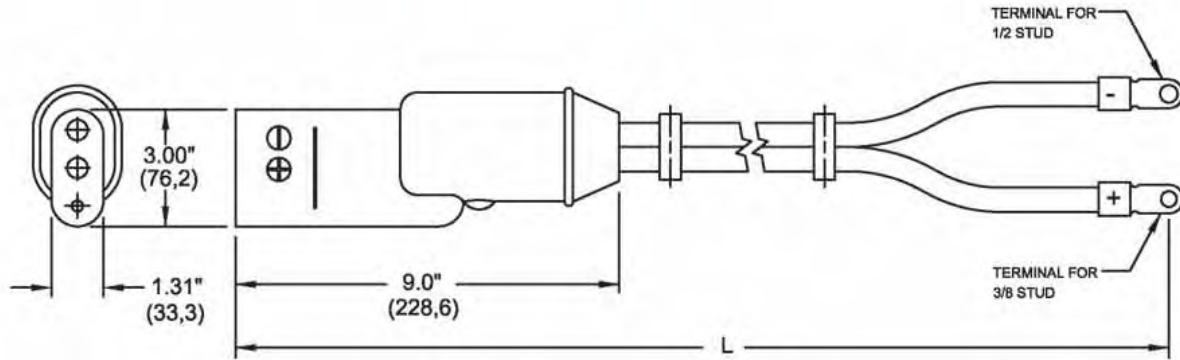
SPECIAL LENGTHS, WIRE GAGES OR CABLE CONFIGURATIONS ARE AVAILABLE UPON REQUEST.


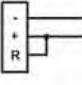
AC PLUG GLOVE™ REPLACEABLE BOOT



BURTON PART NO.	WT. LBS.	REMARKS
6700-0745-0000	2.3	USED TO REPLACE WORN/DAMAGED BOOT. -FOR AC PLUG GLOVE™ W/ MULTI-LAM CONTACTS. PG11 & PG12 SERIES -FOR AC PLUG ATTACHABLES. 16A0 & 16A8 SERIES

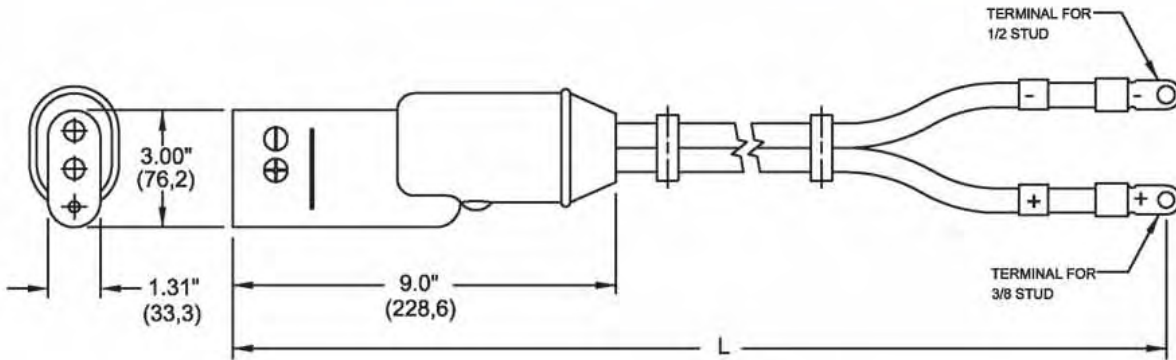
1620 SERIES
DC CABLE ASSEMBLIES
28 VOLTS DC
MATES WITH AN2552 & MS3506 RECPTACLES



BURTON PART NO.	LENGTH FEET	LENGTH METERS	MILITARY PART NO.	CABLE DESCRIPTION	WT./ASSY LBS.	CABLE CONFIGURATION
1620-0303-0010	10	3.05	AN2551-B10	2-4 AWG SINGLE CONDUCTORS, NO CONTROL LEAD, AND STAINLESS STEEL BANDS.	9	 
1620-0303-0020	20	6.10	AN2551-B20		14	
1620-0303-0030	30	9.14	AN2551-B30		20	
1620-0253-0010	10	3.05	AN2551-A10	2-2 AWG SINGLE CONDUCTORS, NO CONTROL LEAD, AND STAINLESS STEEL BANDS.	10	
1620-0253-0020	20	6.10	AN2551-A20		17	
1620-0253-0030	30	9.14	AN2551-A30		24	
1620-0153-0010	10	3.05	AN2551-C10	2-1/0 AWG SINGLE CONDUCTORS, NO CONTROL LEAD, AND STAINLESS STEEL BANDS.	13	
1620-0153-0020	20	6.10	AN2551-C20		23	
1620-0153-0030	30	9.14	AN2551-C30		34	
1620-0153-0040	40	12.19	—		44	
1620-0153-0060	60	18.29	—		65	
1620-0153-0080	80	24.38	—		86	
1620-0153-0100	100	30.48	—		108	
1620-0103-0010	10	3.05	AN2551-D10	2-2/0 AWG SINGLE CONDUCTORS, NO CONTROL LEAD, AND STAINLESS STEEL BANDS.	16	
1620-0103-0020	20	6.10	AN2551-D20		29	
1620-0103-0030	30	9.14	AN2551-D30		42	
1620-0103-0040	40	12.19	—		55	
1620-0103-0060	60	18.29	—		82	
1620-0103-0080	80	24.38	—		109	
1620-0103-0100	100	30.48	—		135	
1620-0003-0020	20	6.10	AN2551-E20	2-4/0 AWG SINGLE CONDUCTORS, NO CONTROL LEAD, AND STAINLESS STEEL BANDS.	42	
1620-0003-0030	30	9.14	AN2551-E30		62	
1620-0003-0040	40	12.19	—		82	
1620-0003-0060	60	18.29	—		122	
1620-0003-0080	80	24.38	—		163	
1620-0003-0100	100	30.48	—		203	

SPECIAL LENGTHS, WIRE GAGES OR CABLE CONFIGURATIONS ARE AVAILABLE UPON REQUEST.

1627 SERIES
DC CABLE ASSEMBLIES
28 VOLTS DC
MATES WITH MS3506 & AN2552

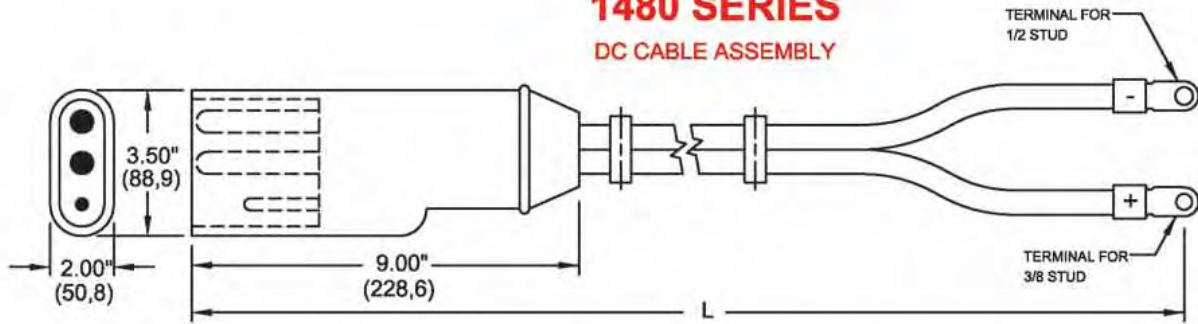


BURTON PART NO.	LENGTH FEET	LENGTH METERS	MILITARY PART NO.	CABLE DESCRIPTION	WT./ASSY LBS.	CABLE CONFIGURATION
1627-0153-0020	20	6.10	MS90347-7M	2-1/0 AWG SINGLE CONDUCTORS, NO CONTROL LEAD, SILVER PLATED CONTACTS, AND NON-METALLIC BANDS.	23	
1627-0153-0030	30	9.14	MS90347-8M		34	
1627-0153-0040	40	12.19	MS90347-9M		44	
1627-0153-0060	60	18.29	MS90347-10M		65	
1627-0153-0080	80	24.38	MS90347-11M		86	
1627-0153-0100	100	30.48	MS90347-12M		108	
1627-0103-0020	20	6.10	MS90347-13M	2-2/0 AWG SINGLE CONDUCTORS, NO CONTROL LEAD, SILVER PLATED CONTACTS, AND NON-METALLIC BANDS.	29	
1627-0103-0030	30	9.14	MS90347-14M		42	
1627-0103-0040	40	12.19	MS90347-15M		55	
1627-0103-0060	60	18.29	MS90347-16M		82	
1627-0103-0080	80	24.38	MS90347-17M		109	
1627-0103-0100	100	30.48	MS90347-18M		135	
1627-0003-0020	20	6.10	MS90347-19M	2-4/0 AWG SINGLE CONDUCTORS, NO CONTROL LEAD, SILVER PLATED CONTACTS, AND NON-METALLIC BANDS.	42	
1627-0003-0030	30	9.14	MS90347-20M		62	
1627-0003-0040	40	12.19	MS90347-21M		82	
1627-0003-0060	60	18.29	MS90347-22M		122	
1627-0003-0080	80	24.38	MS90347-23M		163	
1627-0003-0100	100	30.48	MS90347-24M		203	

SPECIAL LENGTHS, WIRE GAGES OR CABLE CONFIGURATIONS ARE AVAILABLE UPON REQUEST.

1480 SERIES

DC CABLE ASSEMBLY

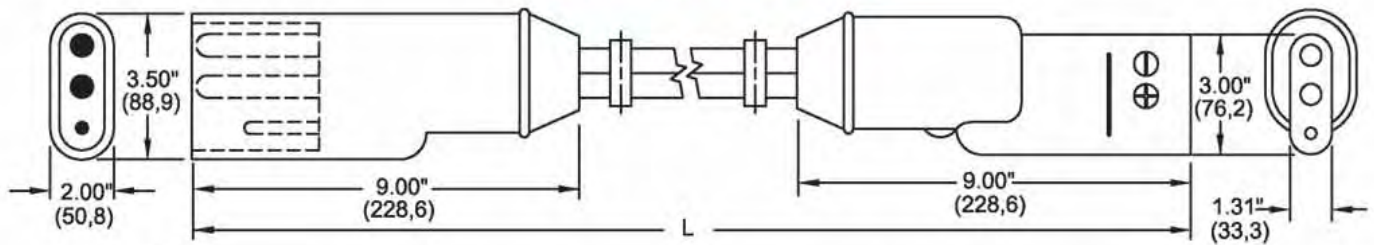


BURTON PART NO.	LENGTH FEET	LENGTH METERS	CABLE DESCRIPTION	WT./ASSY LBS.	CABLE CONFIGURATION
1480-0153-0030	30	9.14	2-1/0 AWG SINGLE CONDUCTORS, NO CONTROL LEAD, AND STAINLESS STEEL BANDS.	35	

SPECIAL LENGTHS, WIRE GAGES OR CABLE CONFIGURATIONS ARE AVAILABLE UPON REQUEST.

1490 SERIES

EXTENSION CABLE ASSEMBLY

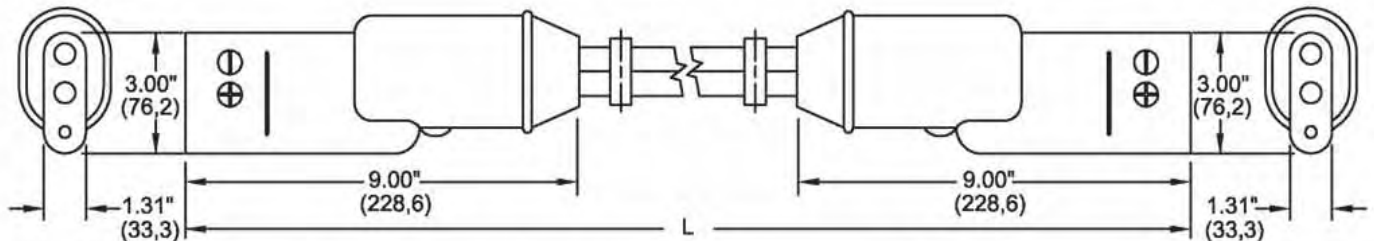


BURTON PART NO.	LENGTH FEET	LENGTH METERS	CABLE DESCRIPTION	WT./ASSY LBS.	CABLE CONFIGURATION
1490-0153-0030	30	9.14	2-1/0 AWG SINGLE CONDUCTORS, NO CONTROL LEAD, AND STAINLESS STEEL BANDS	40	

SPECIAL LENGTHS, WIRE GAGES OR CABLE CONFIGURATIONS ARE AVAILABLE UPON REQUEST.

1730 SERIES

SINGLE POINT REFUELING

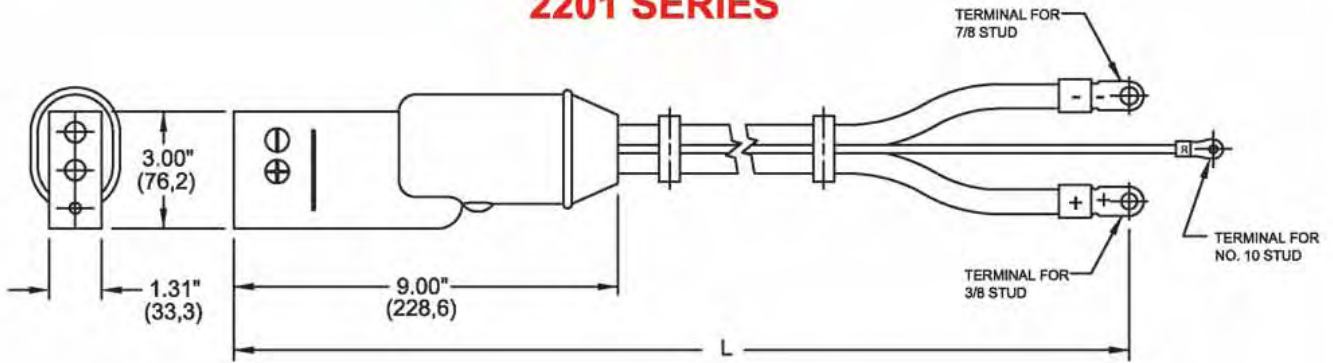


BURTON PART NO.	LENGTH FEET	LENGTH METERS	MILITARY PART NO.	CABLE DESCRIPTION	WT./ASSY LBS.	CABLE CONFIGURATION
1730-0253-0060	60	18.29	MS24121-1	2-2 AWG SINGLE CONDUCTORS, NO CONTROL LEAD, AND NON-METALLIC BANDS	48	

SPECIAL LENGTHS, WIRE GAGES OR CABLE CONFIGURATIONS ARE AVAILABLE UPON REQUEST.

JET STARTING
DC CABLE ASSEMBLIES
EXTERNAL POWER - INTERCONNECTING

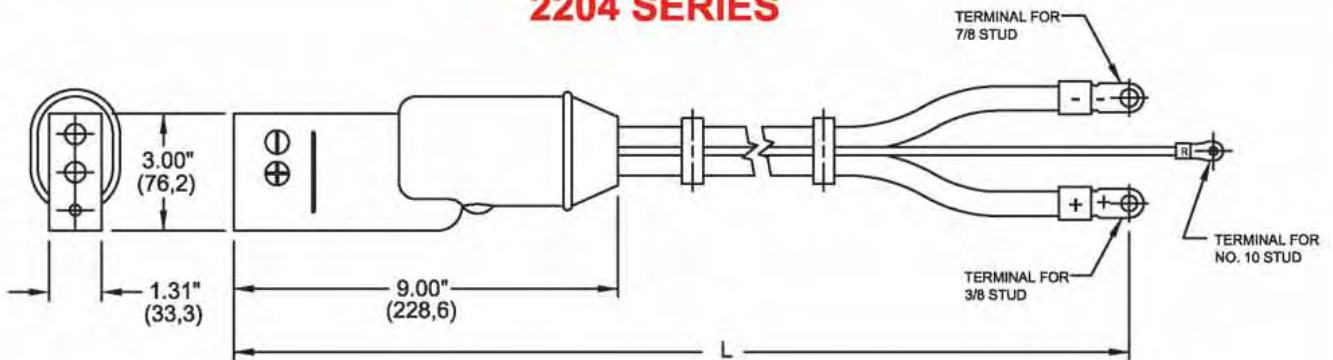
2201 SERIES



BURTON PART NO.	LENGTH FEET	LENGTH METERS	MILITARY PART NO.	CABLE DESCRIPTION	WT./ASSY LBS.	CABLE CONFIGURATION
2201-0007-0020	20	6.10	-	2-4/0 AWG SINGLE CONDUCTORS, 1-8 AWG CONTROL LEAD, AND STAINLESS STEEL BANDS.	44	
2201-0007-0030	30	9.14	-		65	
2201-0007-0040	40	12.19	-		85	
2201-0007-0060	60	18.29	-		126	
2201-0007-0080	80	24.38	-		167	
2201-0007-0100	100	30.48	-		207	

SPECIAL LENGTHS, WIRE GAGES OR CABLE CONFIGURATIONS ARE AVAILABLE UPON REQUEST.

2204 SERIES



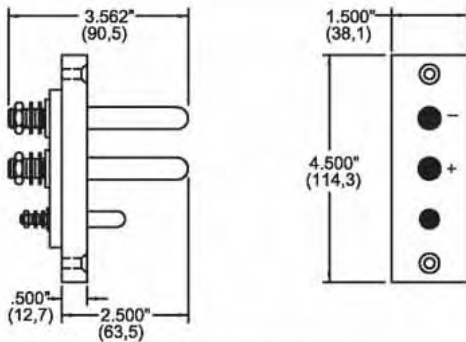
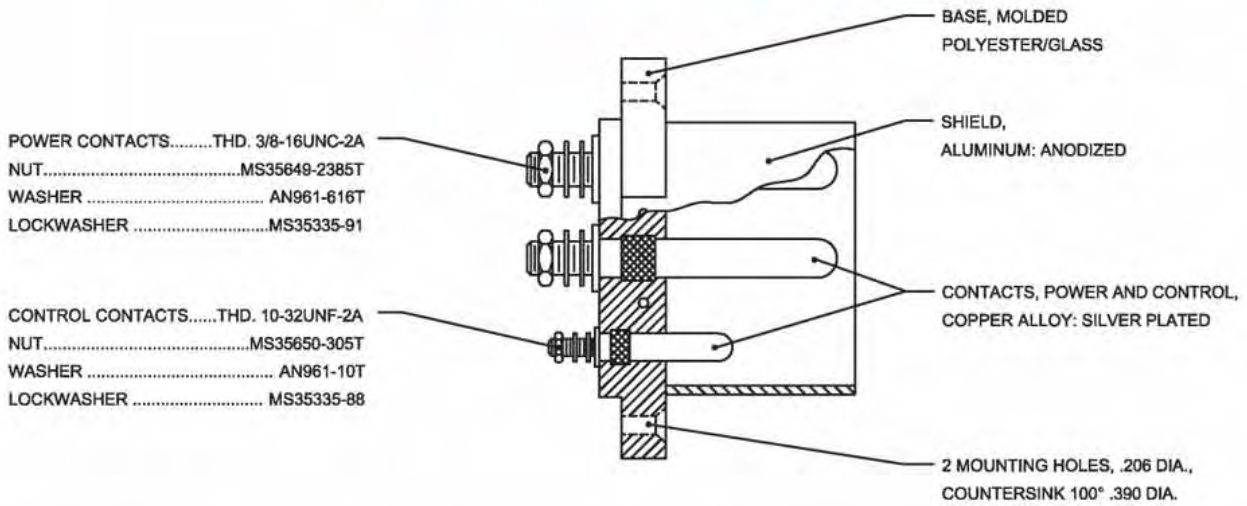
BURTON PART NO.	LENGTH FEET	LENGTH METERS	MILITARY PART NO.	CABLE DESCRIPTION	WT./ASSY LBS.	CABLE CONFIGURATION
2204-0007-0020	20	6.10	MS25019-20M	2-4/0 AWG SINGLE CONDUCTORS, 1-8 AWG CONTROL LEAD, SILVER PLATED CONTACTS, AND NON-METALLIC BANDS.	46	
2204-0007-0030	30	9.14	MS25019-30M		67	
2204-0007-0040	40	12.19	MS25019-40M		89	
2204-0007-0060	60	18.29	MS25019-60M		131	
2204-0007-0080	80	24.38	MS25019-80M		172	
2204-0007-0100	100	30.48	MS25019-100M		210	

SPECIAL LENGTHS, WIRE GAGES OR CABLE CONFIGURATIONS ARE AVAILABLE UPON REQUEST.

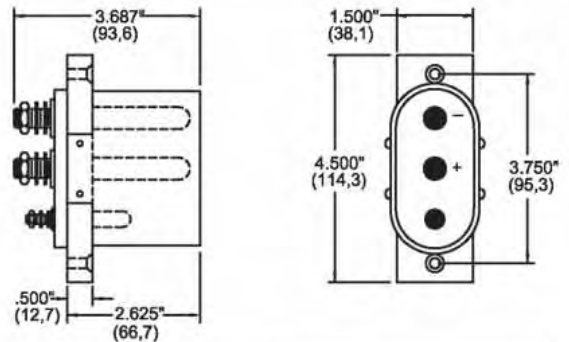
AN2552

DC RECEPTACLE

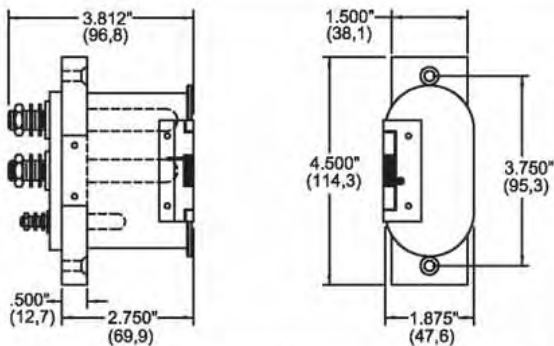
AIRCRAFT & GROUND EQUIPMENT MOUNTED



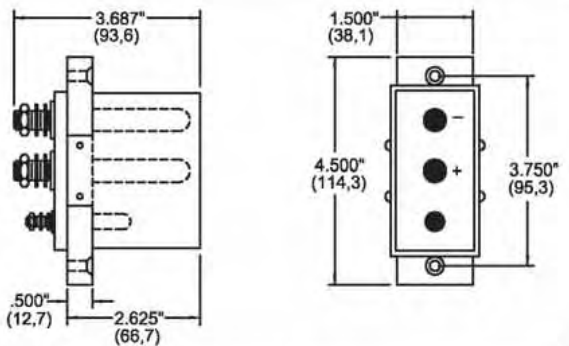
BURTON PART NO.	MILITARY PART NO.	DESCRIPTION
1990-0001-0000	AN2552-A3A	RECEPTACLE



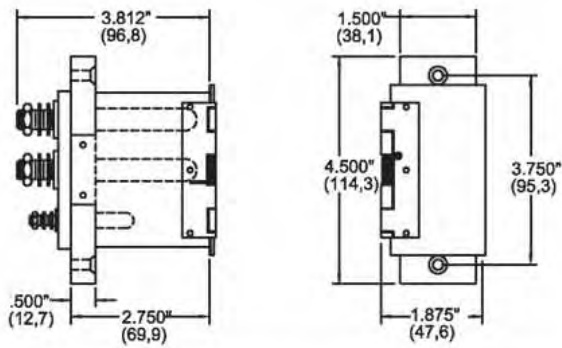
BURTON PART NO.	MILITARY PART NO.	DESCRIPTION
1990-0051-0000	AN2552-3A	RECEPTACLE WITH SHIELD



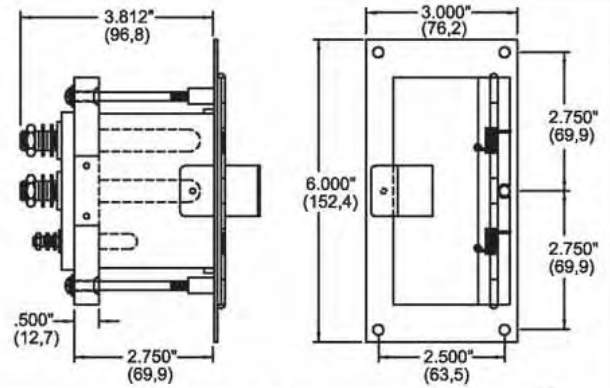
BURTON PART NO.	MILITARY PART NO.	DESCRIPTION
1990-0101-0000	—	RECEPTACLE AND SHIELD WITH SPRING-LOADED DOOR



BURTON PART NO.	MILITARY PART NO.	DESCRIPTION
1990-0151-0000	MS25018-1	RECEPTACLE WITH SHIELD



BURTON PART NO.	MILITARY PART NO.	DESCRIPTION
1990-0201-0000	—	RECEPTACLE WITH SPRING-LOADED COVER

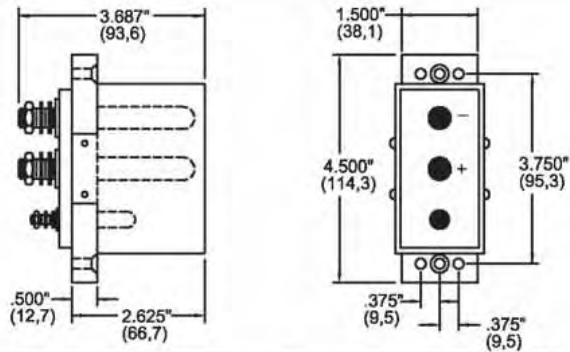
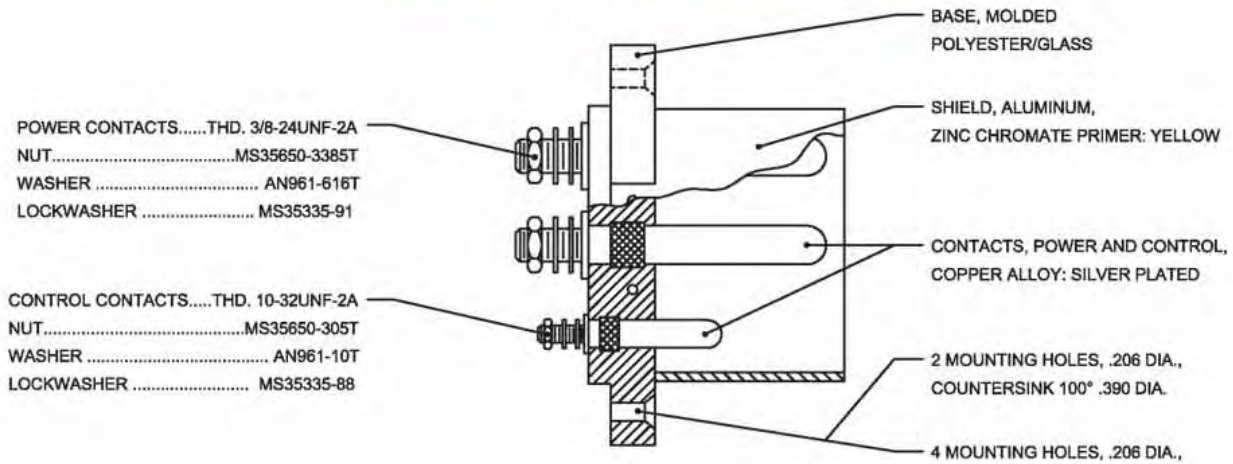


BURTON PART NO.	MILITARY PART NO.	DESCRIPTION
1990-0326-0000	AF26727-852-1043	RECEPTACLE WITH SPRING LOADED COVER: PANEL MOUNTED

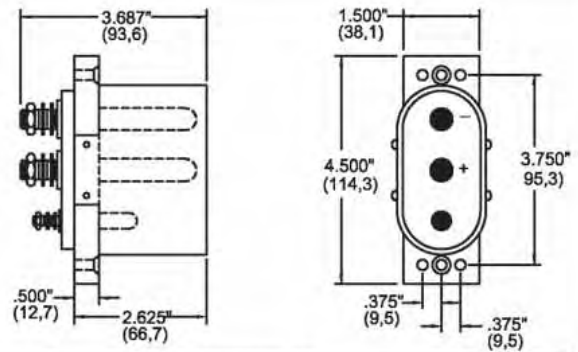
MS25018

DC RECEPTACLE

AIRCRAFT & GROUND EQUIPMENT MOUNTED



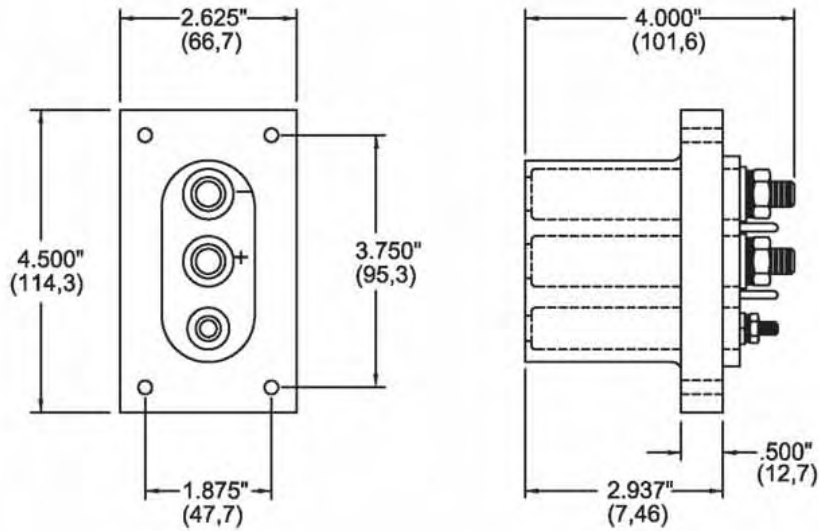
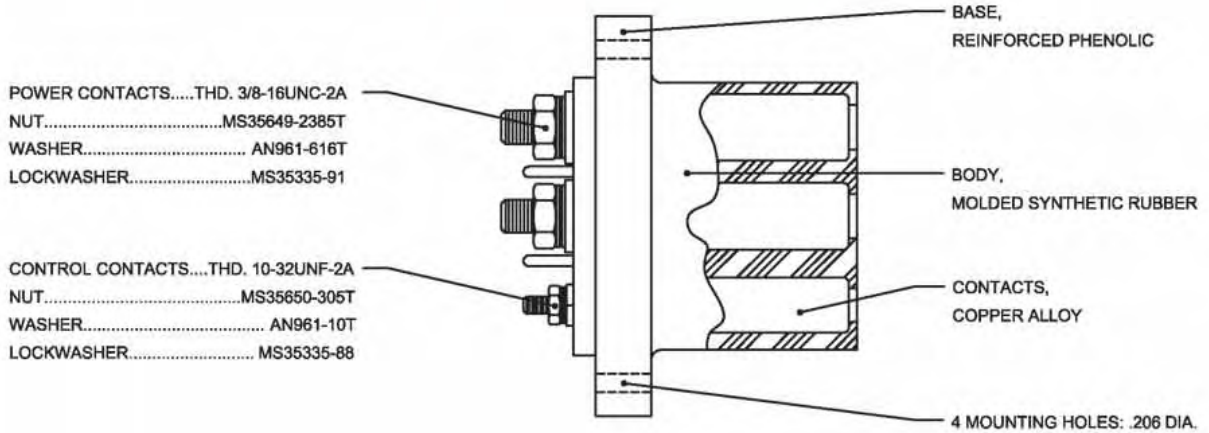
BURTON PART NO.	MILITARY PART NO.	DESCRIPTION
1990-0153-0000	MS25018-2	RECEPTACLE WITH RECTANGULAR SHIELD



BURTON PART NO.	MILITARY PART NO.	DESCRIPTION
1990-0056-0000	MS3506-1	RECEPTACLE WITH OVAL SHIELD

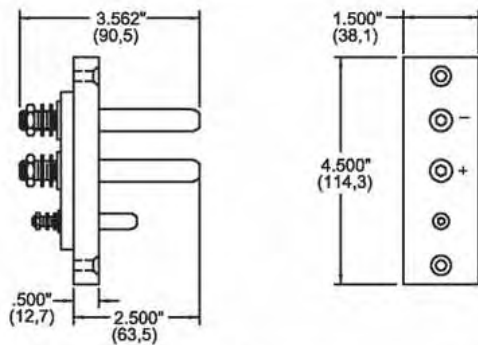
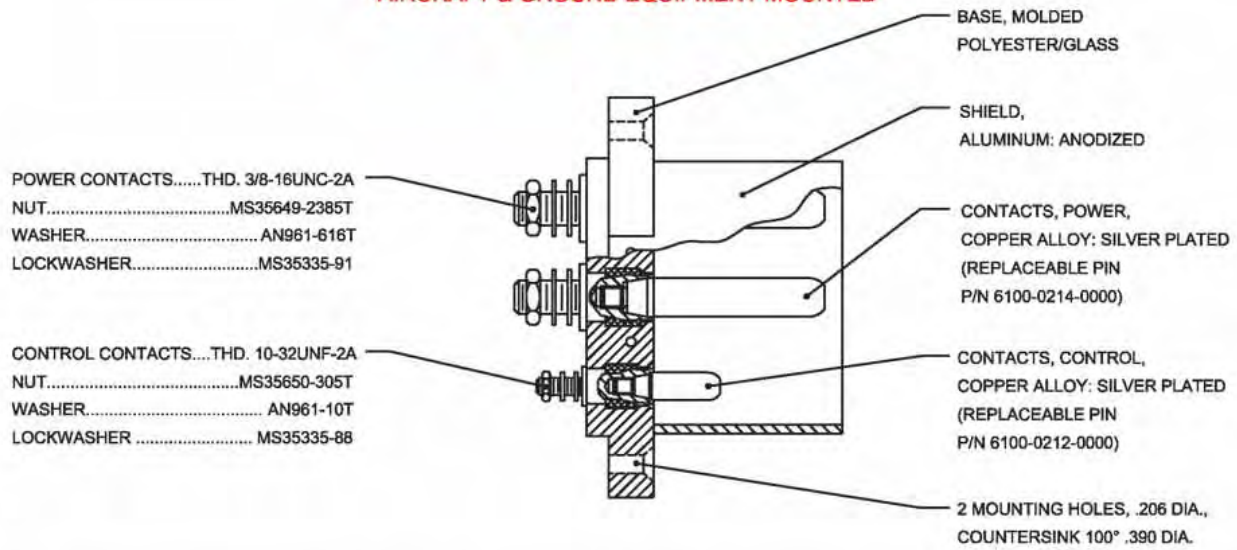
1991 SERIES

DC RECEPTACLE
FEMALE - PANEL MOUNTED

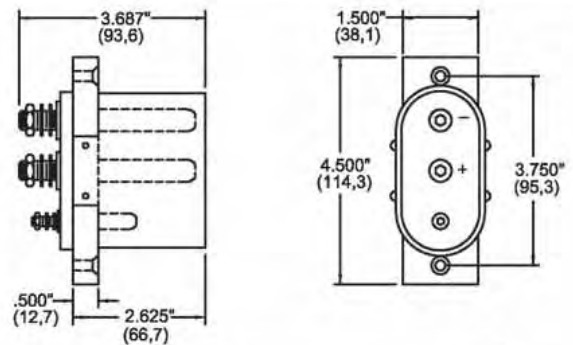


BURTON PART NO.	MATING UNIT	DESCRIPTION
1991-0001-0000	SERIES 1480	RECEPTACLE

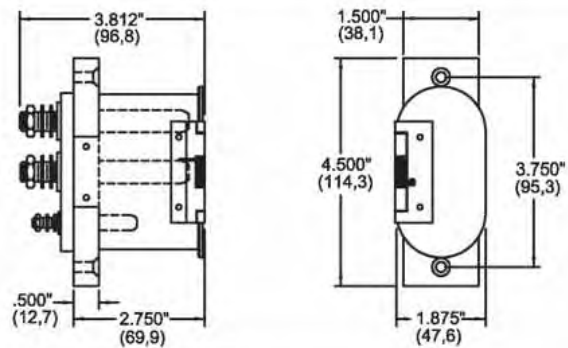
**DC RECEPTACLE
WITH REPLACEABLE CONTACTS
AIRCRAFT & GROUND EQUIPMENT MOUNTED**



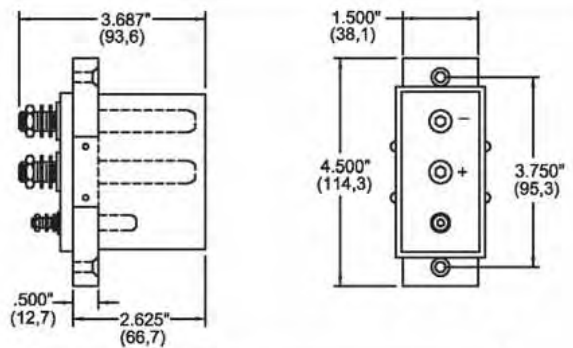
BURTON PART NO.	DESCRIPTION
1990-0001-R000	RECEPTACLE (SIMILAR AN2552-A3A)



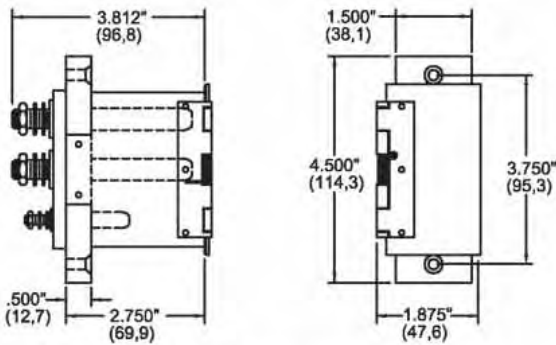
BURTON PART NO.	DESCRIPTION
1990-0051-R000	RECEPTACLE WITH SHIELD (SIMILAR AN2552-3A)



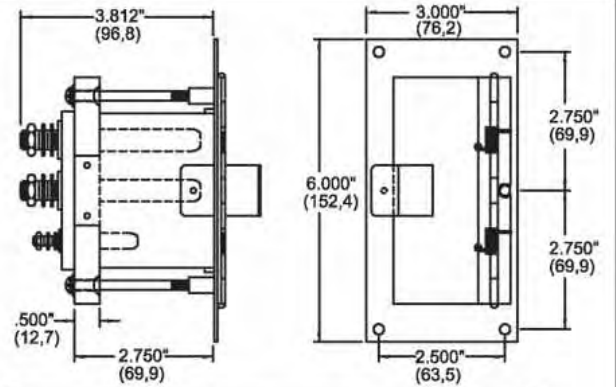
BURTON PART NO.	DESCRIPTION
1990-0101-R000	RECEPTACLE AND SHIELD WITH TERMINAL COVER



BURTON PART NO.	DESCRIPTION
1990-0151-R000	RECEPTACLE WITH SHIELD (SIMILAR MS25018-1)

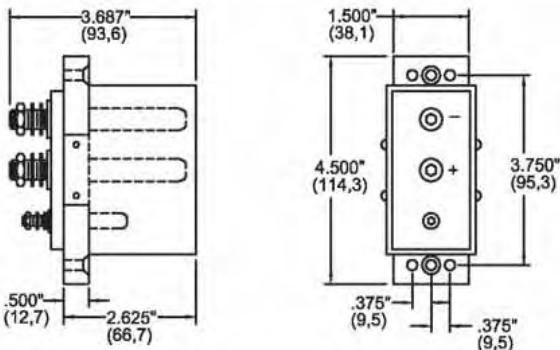
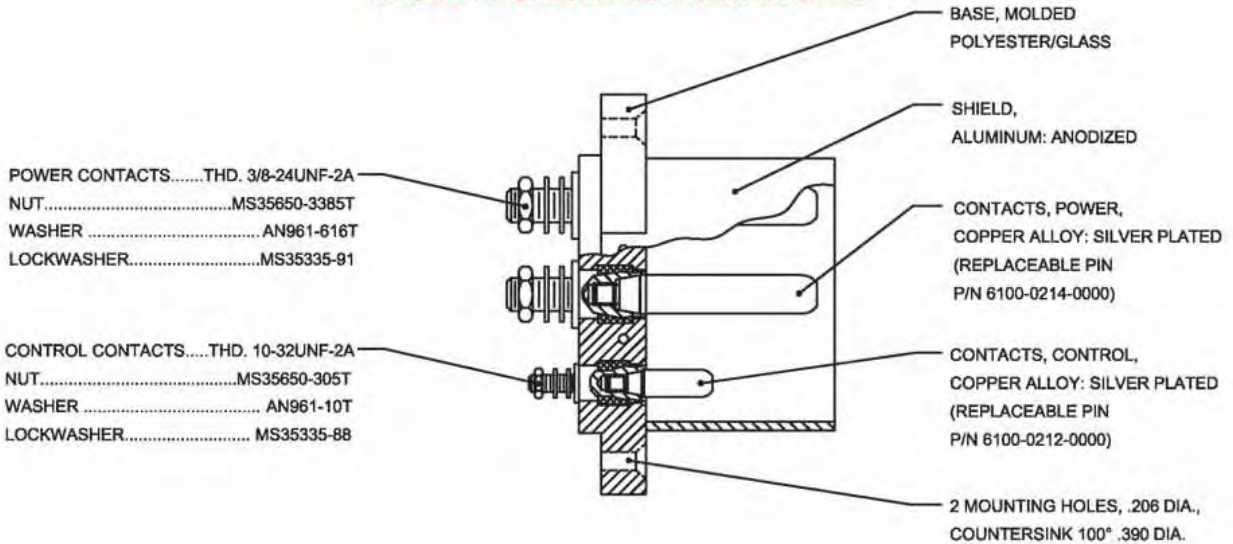


BURTON PART NO.	DESCRIPTION
1990-0201-R000	RECEPTACLE WITH SPRING-LOADED COVER

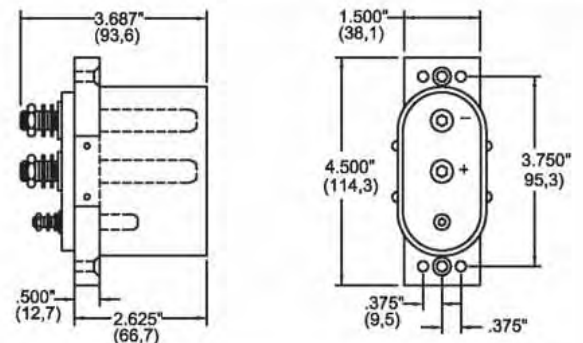


BURTON PART NO.	DESCRIPTION
1990-0326-R000	RECEPTACLE WITH SPRING LOADED COVER: PANEL MOUNTED (SIMILAR TO AF26727-852-1043)

**DC RECEPTACLE
WITH REPLACEABLE CONTACTS
AIRCRAFT & GROUND EQUIPMENT MOUNTED**



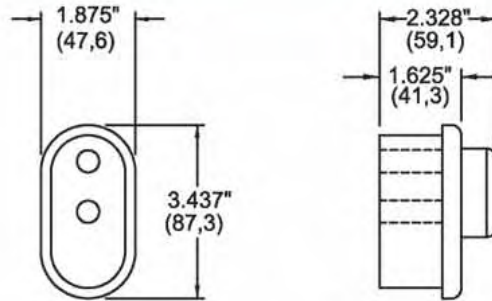
BURTON PART NO.	DESCRIPTION
1990-0153-R000	RECEPTACLE WITH RECTANGULAR SHIELD (SIMILAR TO MS25018-2)



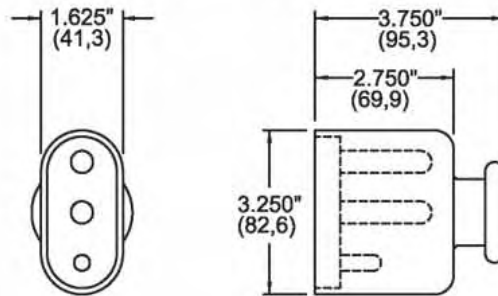
BURTON PART NO.	DESCRIPTION
1990-0056-R000	RECEPTACLE WITH OVAL SHIELD (SIMILAR TO MS3506-1)

DC SERIES
DUST CAPS

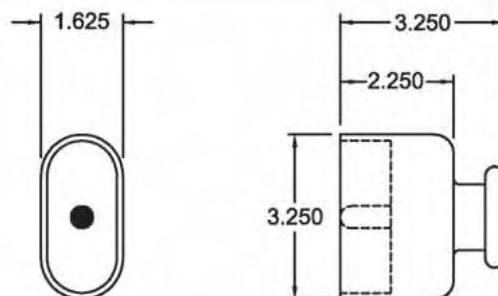
SAFETY CHAIN AVAILABLE UPON REQUEST



BURTON PART NO.	TYPE	MATING UNIT
271	FEMALE	SERIES 1480, 1990



BURTON PART NO.	TYPE	MATING UNIT
509	FEMALE	SERIES 1900 W/O SHIELD



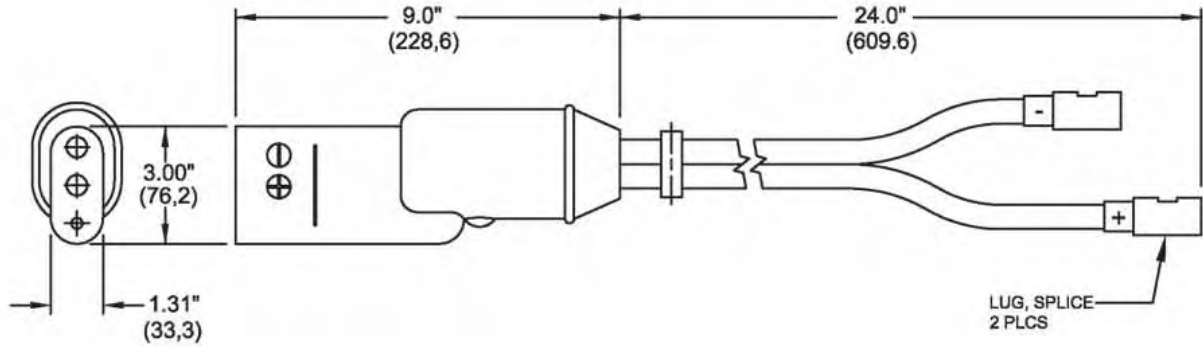
BURTON PART NO.	TYPE	MATING UNIT
510	MALE	SERIES 1620, 1627, 1730

1620 SERIES

DC CABLE ASSEMBLIES, REPAIR KITS

28 VOLTS DC

MATES WITH AN2552 & MS3506



BURTON PART NO.	LENGTH FEET	LENGTH METERS	CABLE DESCRIPTION	WT./ASSY LBS.	CABLE CONFIGURATION
1620-0176-0002	2	0.61	2-1/0 AWG SINGLE CONDUCTORS, NO CONTROL LEADS, NON-METALLIC BANDS	4.7	
1620-0109-0002	2	0.61	2-2/0 AWG SINGLE CONDUCTORS, NO CONTROL LEADS, NON-METALLIC BANDS	5.1	
1620-0020-0002	2	0.61	2-4/0 AWG SINGLE CONDUCTORS, NO CONTROL LEADS, NON-METALLIC BANDS	6.3	

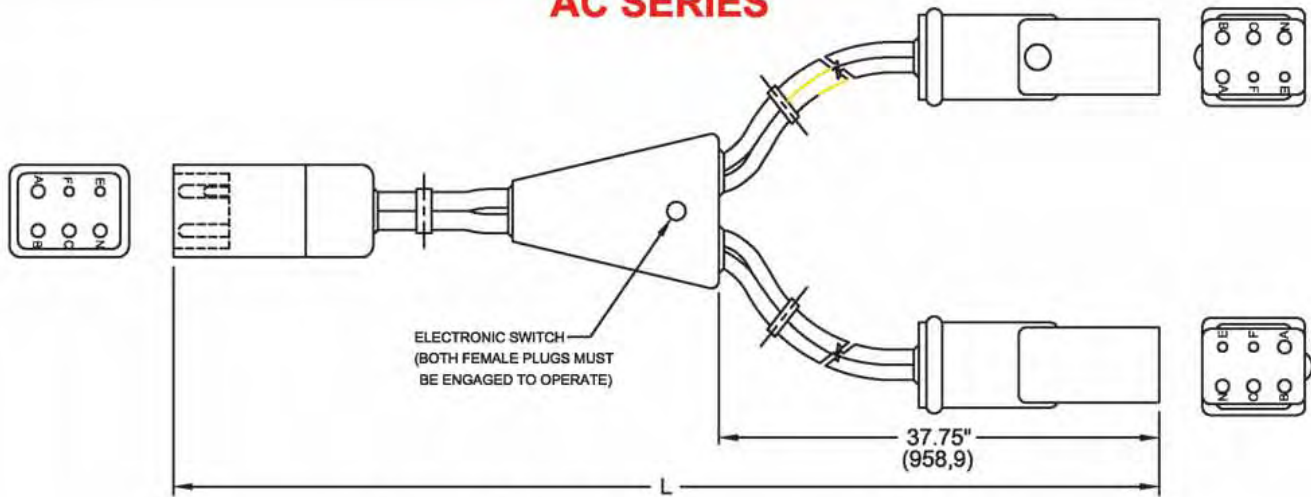
SPECIAL LENGTHS, WIRE GAGES OR CABLE CONFIGURATIONS ARE AVAILABLE UPON REQUEST.

Y ADAPTER

CABLE ASSEMBLIES

EXTERNAL POWER - INTERCONNECTING

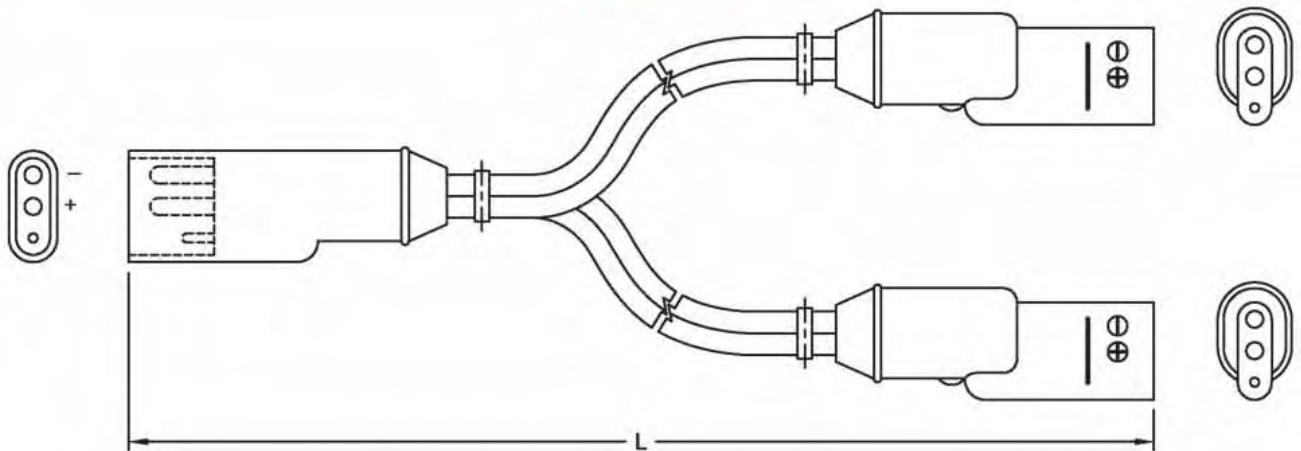
AC SERIES



BURTON PART NO.	LENGTH FEET	LENGTH METERS	CABLE DESCRIPTION	CABLE CONFIGURATION
7350-0540-0007	7	2.13	4-1/0 AWG SINGLE CONDUCTORS, 1-12/2 AWG CONTROL LEAD, SILVER PLATED CONTACTS, AND NON-METALLIC BANDS.	

SPECIAL LENGTHS, WIRE GAGES OR CABLE CONFIGURATIONS ARE AVAILABLE UPON REQUEST.

DC SERIES

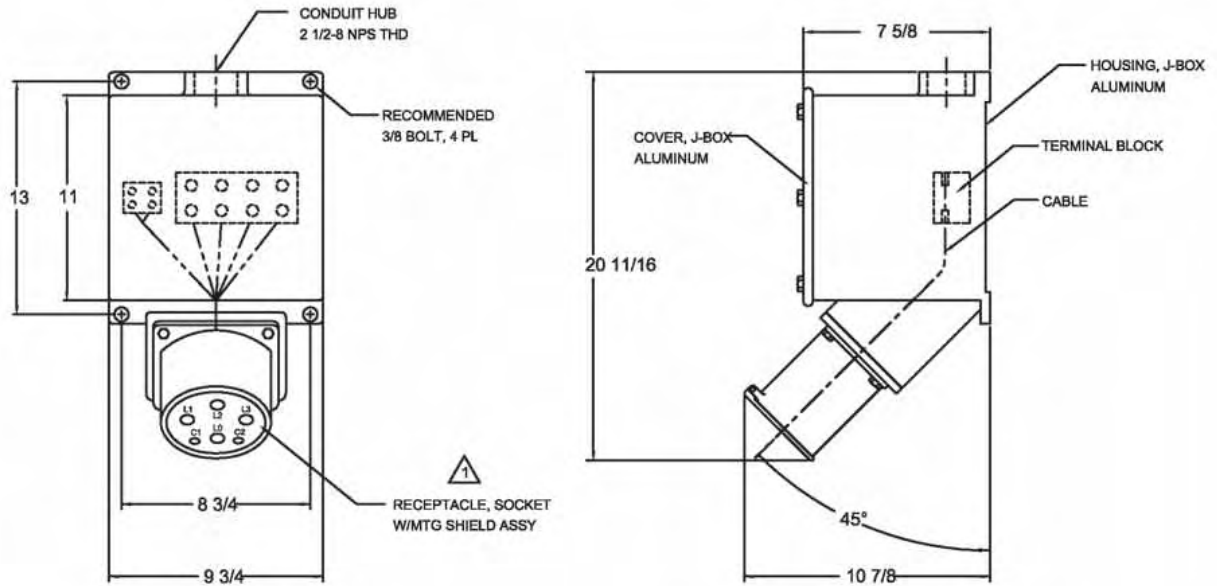


BURTON PART NO.	LENGTH FEET	LENGTH METERS	CABLE DESCRIPTION	CABLE CONFIGURATION
1510-0103-0003	3	0.91	2-2/0 AWG SINGLE CONDUCTORS, NO CONTROL LEAD, AND STAINLESS STEEL BANDS.	

SPECIAL LENGTHS, WIRE GAGES OR CABLE CONFIGURATIONS ARE AVAILABLE UPON REQUEST.

**A.C. OUTLET ASSEMBLY O & M
WALL MOUNTED**

4180 J-BOX



A.C. OUTLET ASSY PART NO.	RECEPTACLE, SOCKET W/MTG SHIELD ASSY PART NO.	WIRE SIZE
4180-0151-0000	4122-0151-0001	1/0 AWG
4180-0101-0000	4122-0101-0001	2/0 AWG

SAFETY SERVICE SYSTEM

- MONITORS AND CONTROLS DELIVERY OF 400 HZ 3 PHASE AC POWER
- CONTROL CIRCUITRY UTILIZES MODERN SURFACE MOUNT TECHNOLOGY
- STOPS FLOW OF POWER TO CONNECTED EQUIPMENT IN THE EVENT OF UNDERCURRENT AND OVERCURRENT CONDITIONS IN ANY OF THE THREE PHASES
- BUILT IN DELAY TIMER ALLOWS FOR "ONE MAN OPERATION"
- STATUS INDICATORS VISIBLE FROM A DISTANCE
- E & F ELECTRICAL INTERLOCK AVAILABLE
- AVAILABLE FOR 120/208 OR 240/480 VOLT SYTEMS
- AVAILABLE FOR 60 HZ SYSTEMS ALSO
- CUSTOM DESIGNS UPON REQUEST



CABLE RETRIEVER

- NOT A CABLE REEL
- IN - OUT SWITCHES MOLDED IN PLUG
- INCREASES CABLE ASSEMBLY LIFE
- FOUR VERSIONS AVAILABLE:
 - RAMP MOUNTED
 - ROTUNDA MOUNTED (SHOWN)
 - WALL MOUNTED
 - PORTABLE
- TWO STORAGE CAPACITIES AVAILABLE
 - UP TO 60 FEET OF 2/0 POWER CABLE ASSEMBLIES
 - UP TO 120 FEET OF 2/0 POWER CABLE ASSEMBLIES
- AVAILABLE WITH SAFETY SERVICE SYSTEM



400HZ SINGLE JACKET CABLE

Cooper Interconnect Family of 400 Hz Command Plus Cables

The Command Plus cable series was developed by Cooper Interconnect in the mid 1980s. The most unique quality of our single-jacketed 400 Hz. cable is the elimination of a center conductor. The Command Plus uses one conductor per phase, and the neutral returns the unbalanced load from the aircraft to the power supply.

Cooper Interconnect research discovered that center components are prone to elongation failures. In cables with center neutral, the length of the cable is the length of neutral. It must stretch when the cable is coiled, eventually leading to elongation failure. This failure, or loss of neutral, results in an unbalanced load, which can conduct an extremely dangerous charge to the skin of the aircraft.

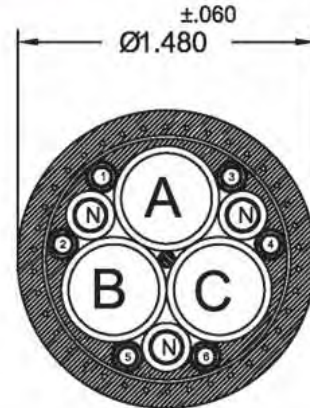
All Command Plus cable conductors are wrapped around a non-critical center filler and are all cabled in the same direction. The conductors, including the neutral, can flex without stretching any one component, resulting in a safe work environment.

Command Plus features:

- Full size “E” and “F” conductors (12 AWG)
- One conductor per phase
- Larger 1/0 and 2/0 cables
- Has extra #16 AWG conductors for other functions
- 30% more copper provides cool operating temperatures
- Operator-safe – load placed on aircraft is always balanced
- No center neutrals = No danger of loss of neutral
- Built per MIL-C-5756/5

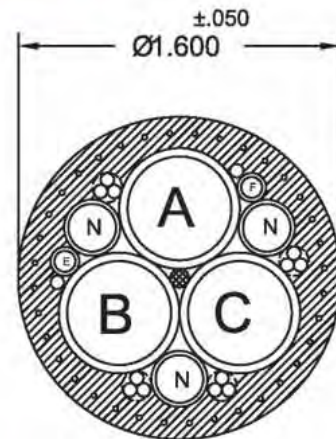
400HZ #2 AWG COMMAND PLUS CABLE

POWER CONDUCTOR: 3 EACH, #2 AWG
NEUTRAL CONDUCTOR: 3 EACH, #8 AWG
CONTROL CONDUCTOR: 6 EACH, #12 AWG
STRANDING: CLASS M, EXTRA FLEXIBLE
CABLE WEIGHT: 1,750 POUNDS PER 1,000 FEET



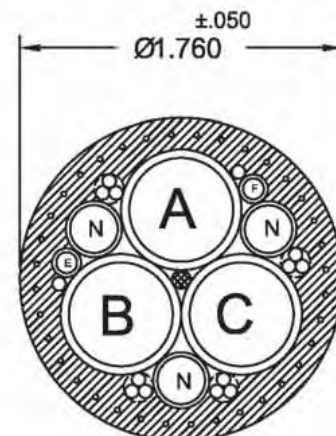
400HZ 1/0 AWG COMMAND PLUS CABLE

POWER CONDUCTOR: 3 EACH, #1/0 AWG
NEUTRAL CONDUCTOR: 3 EACH, #6 AWG
CONTROL CONDUCTOR: 2 EACH, #12 AWG
14 EACH, #16 AWG
STRANDING: CLASS M, EXTRA FLEXIBLE
CABLE WEIGHT: 2,285 POUNDS PER 1,000 FEET



400HZ 2/0 AWG COMMAND PLUS CABLE

POWER CONDUCTOR: 3 EACH, #2/0 AWG
NEUTRAL CONDUCTOR: 3 EACH, #4 AWG
CONTROL CONDUCTOR: 2 EACH, #12 AWG
14 EACH, #16 AWG
STRANDING: CLASS M, EXTRA FLEXIBLE
CABLE WEIGHT: 2,740 POUNDS PER 1,000 FEET



270 VDC RECEPTACLE AND PLUG

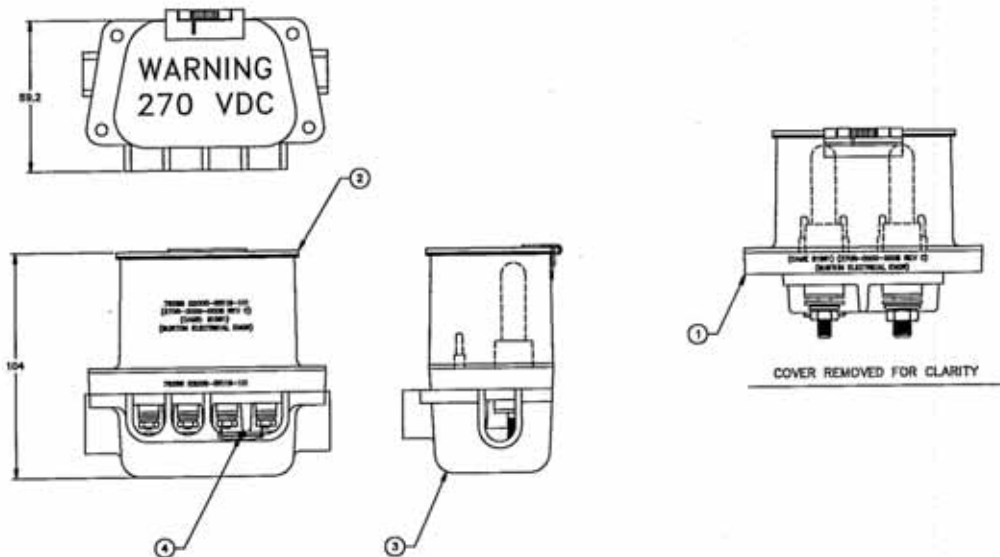
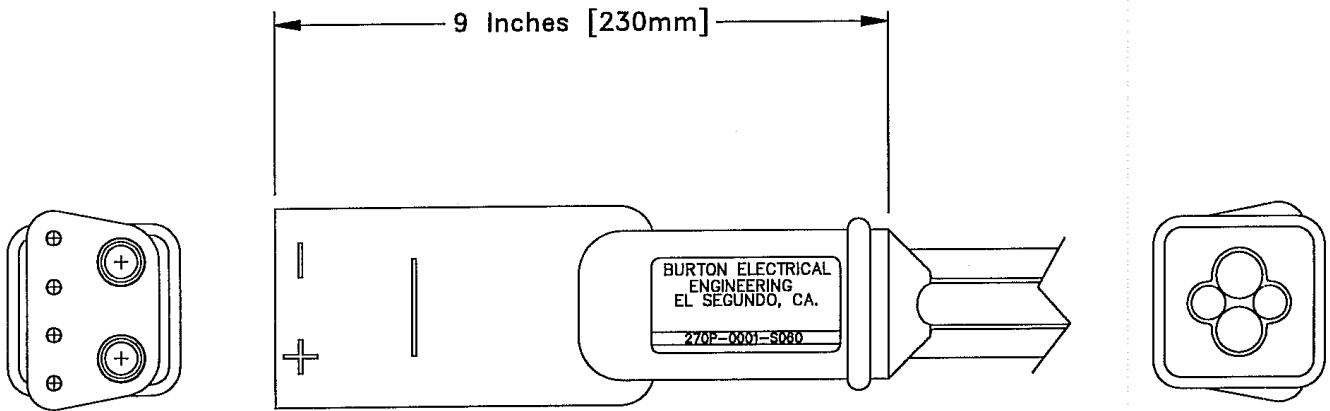
The 270 VDC receptacle was developed by Cooper Interconnect under a contract from Boeing Sikorsky and is shown by permission of Sikorsky. It is used on the RAH-66 Comanche helicopter. The 270 VDC plug was developed and manufactured by Cooper Interconnect to be used by Trilectron.

The 270 VDC receptacle is designed, built and tested to meet the requirements of MIL-C-81790 where applicable.

The 270 VDC plug with molded-on cable was designed to meet the interface requirements of the receptacle and transfer the rated power within MIL-C-7974 requirements.

POWER REQUIREMENTS

PIN	VOLTAGE VDC	CURRENT AMPS	PIN DIA (mm)
POSITIVE	270	120	11
NEGATIVE	270	120	11
PIN #1	28	10	3
PIN #2	28	10	3
PIN #3	28	10	3
PIN #4	28	10	3



SUPERSEDED MILITARY CROSS REFERENCE INDEX

GOVERNMENT DESIGNATIONS	CI DESIGNATIONS	GOVERNMENT DESIGNATIONS	CI DESIGNATIONS
MS24122-1 MS24122-2 MS24122-3 MS24122-4 MS24122-5 MS24122-6 MS24122-7 MS24122-8	1680-0255-0020 1680-0255-0030 1680-0255-0040 1680-0255-0060 1680-0155-0020 1680-0155-0030 1680-0155-0040 1680-0155-0060	MS25487-20 MS25487-30 MS25487-40 MS25487-60 MS25487-80 MS25487-100	2201-0007-0020 2201-0007-0030 2201-0007-0040 2201-0007-0060 2201-0007-0080 2201-0007-0100
MS24217-1	1620-1452-0030	MS25488-6 MS25488-7 MS25488-8 MS25488-9 MS25488-10 MS25488-11	1629-0153-0020 1629-0153-0030 1629-0153-0040 1629-0153-0060 1629-0153-0080 1629-0153-0100
MS25019-2B MS25019-3B	2201-0001-0020 2201-0001-0030	MS25488-12 MS25488-13 MS25488-14 MS25488-15 MS25488-16 MS25488-17	1629-0103-0020 1629-0103-0030 1629-0103-0040 1629-0103-0060 1629-0103-0080 1629-0103-0100
MS25486-4 MS25486-5 MS25486-6 MS25486-7 MS25486-8 MS25486-9 MS25486-10 MS25486-11 MS25486-12 MS25486-13 MS25486-14 MS25486-15 MS25486-18 MS25486-19 MS25486-20 MS25486-21 MS25486-22 MS25486-23 MS25486-24 MS25486-25 MS25486-26 MS25486-27 MS25486-28 MS25486-29	1689-0152-0020 1689-0152-0030 1689-0152-0040 1689-0152-0060 1689-0152-0080 1689-0152-0100 1689-0102-0020 1689-0102-0030 1689-0102-0040 1689-0102-0060 1689-0102-0080 1689-0102-0100 1689-0151-0020 1689-0151-0030 1689-0151-0040 1689-0151-0060 1689-0151-0080 1689-0151-0100 1689-0101-0020 1689-0101-0030 1689-0101-0040 1689-0101-0060 1689-0101-0080 1689-0101-0100	MS25488-18 MS25488-19 MS25488-20 MS25488-21 MS25488-22 MS25488-23	1629-0003-0020 1629-0003-0030 1629-0003-0040 1629-0003-0060 1629-0003-0080 1629-0003-0100
		MS90328-1 MS90328-2 MS90328-3 MS90328-4 MS90328-5 MS90328-6 MS90328-7 MS90328-8 MS90328-9 MS90328-10 MS90328-11 MS90328-12	1689-0152-0020 1689-0152-0030 1689-0152-0040 1689-0152-0060 1689-0102-0020 1689-0102-0030 1689-0102-0040 1689-0102-0060 1689-0152-0080 1689-0152-0100

Cooper Interconnect

750 West Ventura Boulevard
Camarillo, CA 93010
P: 805-484-0543
F: 805-987-5062

Cooper Interconnect

222 Williams Street
Chelsea, MA 02150
P: 617-889-3700
F: 617-889-6980

Cooper Interconnect

23 Front Street
Salem, NJ 08079
P: 856-935-7560
F: 856-935-0102

Cooper Interconnect

5455 Endeavour Court
Moorpark, CA 93021-8009
P: 805-553-9633
F: 805-553-9655

Cooper Interconnect

4758 Washington Street
LaGrange, NC 28551
P: 252-566-3014
F: 252-566-9337

**Cooper Interconnect
Headquarters**

Wolf & 7th North Streets
PO Box 4999
Syracuse, NY 13221-4999
P: 315-477-7000
F: 315-477-5717

www.cooperinterconnect.com
email info@cooperinterconnect.com

Cooper Interconnect is a trademark of Cooper Industries, Inc.
©2009 Cooper Industries, Inc.

Cooper Industries, Ltd.
600 Travis, Ste. 5800
Houston, TX 77002-1001
P: 713-209-8400
www.cooperindustries.com