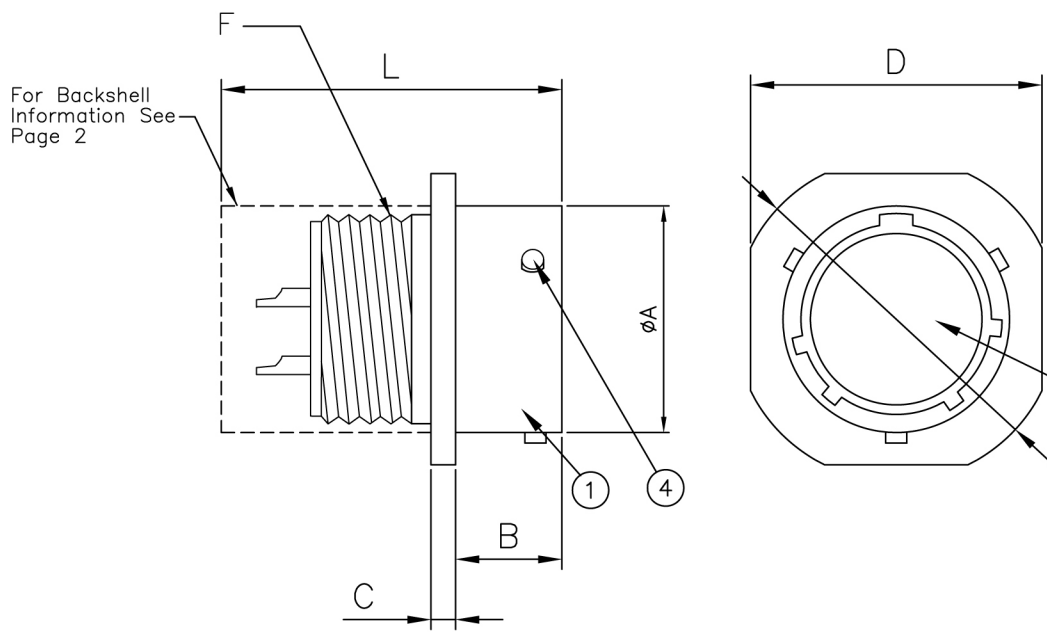


REVISIONS LIST				
REV	ECO #	DESCRIPTION	DATE	APV'D
A		Initial Release		



SPECIFICATIONS

- Mechanical**
- Engagement Force-Torque (Max) .902-4.97 N-m
 - Disengagement Force-Torque (Min) .113-.791 N-m
 - Durability 500 Cycles
 - Insert Retention 5.3 Kg/cm²
 - Contact Retention (Min)
 - 20 Gauge 67 N
 - 16 Gauge 113 N
 - Contact Engagement Force (Max)
 - 20 Gauge 5.0 N
 - 16 Gauge 8.34 N
 - Contact Separation Force (Min)
 - 20 Gauge .195 N
 - 16 Gauge .556 N
- Electrical**
- Current Rating (Max)
 - 20 Gauge 7.5A
 - 16 Gauge 22.0A
 - Contact Resistance As specified in Table VII MIL-DTL-26482
 - Insulation Resistance (@500 VDC)
 - (25°C) 5000 MΩ
 - Short Time (125°C) 3 MΩ
 - Long Time (105°C) 12 MΩ
 - Dielectric Withstanding Voltage (Working)
 - SL (Service Rating I) 600 VAC (rms)
 - (Service Rating II) 1000 VAC (rms)
 - 70,000 Ft (Service Rating I) 300 VAC (rms)
 - (Service Rating II) 450 VAC (rms)
- Environmental**
- Operating Temperature -55°C - +125°C
 - Air Leakage (@2.11 Kg/cm²) <4.55X10⁻³ cm³/s
 - Salt Spray (@35°C) 48 Hrs
 - Vibration (10-2000Hz) 12 Hrs
 - Shock (Peak Acceleration) 490 m/s² (50g's)

NOTE: Service Rating is identified on each insert arrangement

Shell Size	A MAX	B +0.79 -0.00	C ±0.41	D MAX	E ±0.51	F THREAD (UNE2A)
8	12.04	10.16	2.39	21.03	23.83	.4375-28
10	15.01	10.16	2.39	24.23	26.97	.5625-24
12	19.08	10.16	2.39	26.59	29.36	.6875-24
14	22.25	10.16	2.39	28.98	31.75	.8125-20
16	25.43	10.16	2.39	31.34	34.14	.9375-20
18	28.60	10.16	2.39	33.73	36.53	1.0625-18
20	31.78	13.59	2.92	36.91	39.67	1.1875-18
22	34.95	13.59	2.92	40.08	42.88	1.3125-18
24	38.12	14.17	2.92	43.18	46.02	1.4375-18

No.	Name	Material/Finish	Remarks
1	Shell	Aluminum	
2	Insert	Neoprene	
3	Contact	Copper Alloy	Ni 100μ" - Au 50μ"
4	Locking Post	304 Stainless Steel	

UNLESS NOTED TOLERANCES ARE: .X ± 0.38 .XX ± 0.25 ANGLES ± 1°	THIRD ANGLE PROJECTION 	 1170 S. PATTON ST. XENIA, OHIO 45385 PH: (937) 374-2700 FX: (937) 374-2717
--	----------------------------	---

UNIT: mm	DRWN: RLM	THESE DRAWINGS AND SPECIFICATIONS ARE THE PROPERTY OF SPI AND SHALL NOT BE COPIED, USED OR RE-PRODUCED WITHOUT PERMISSION.	TITLE MIL-DTL-26482 Cable Mount Receptacle	
SCALE: NTS	DATE: 01/29/14		S P I P / N : MS3111XXX-XXXX	
	CHK'D: RLM		R E V : A	
SHEET: 1 OF 2	APV'D: RLM		C U S T O M E R P / N :	