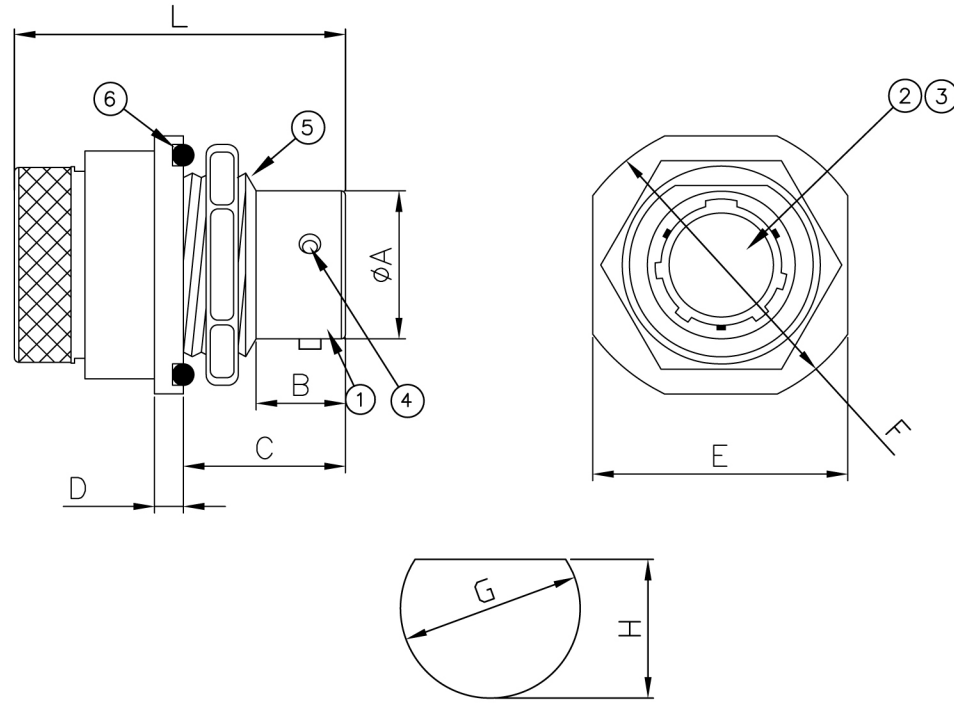


REVISIONS LIST

REV	ECO #	DESCRIPTION	DATE	APV'D
A		Initial Release		



Panel Cut Out

SPECIFICATIONS

Mechanical

Engagement Force-Torque (Max)	.902-4.97 N-m
Disengagement Force-Torque (Min)	.113-.791 N-m
Durability	500 Cycles
Insert Retention	5.3 Kg/cm ²
Contact Retention (Min)	
20 Gauge	67 N
16 Gauge	113 N
Contact Engagement Force (Max)	
20 Gauge	5.0 N
16 Gauge	8.34 N
Contact Separation Force (Min)	
20 Gauge	.195 N
16 Gauge	.556 N

Electrical

Current Rating (Max)	
20 Gauge	7.5A
16 Gauge	22.0A
Contact Resistance	As specified in Table VII MIL-DTL-26482
Insulation Resistance (@500 VDC)	
(25°C)	5000 MΩ
Short Time (125°C)	3 MΩ
Long Time (105°C)	12 MΩ
Dielectric Withstanding Voltage (Working)	
SL (Service Rating I)	600 VAC (rms)
(Service Rating II)	1000 VAC (rms)
70,000 Ft (Service Rating I)	300 VAC (rms)
(Service Rating II)	450 VAC (rms)

Environmental

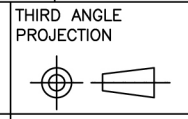
Operating Temperature	-55°C - +125°C
Air Leakage (@2.11 Kg/cm ²)	<4.55X10 cm/s
Salt Spray (@35°C)	48 Hrs -3 3
Vibration (10-2000Hz)	12 Hrs
Shock (Peak Acceleration)	490 m/s ² (50g's)

NOTE: Service Rating is identified on each insert arrangement

Shell Size	A	B	C	D	E	F	G	H	Panel Thickness (REF)	
	MAX	MIN	+0.79 -0.0	±0.51	MAX	+0.00 -0.81	+0.254 -0.127	+0.254 -0.127	Min	Max
8	12.04	9.75	17.55	2.97	24.23	27.38	14.53	13.72	1.57	3.18
10	15.01	9.75	17.55	2.97	27.38	30.56	17.70	16.89	1.57	3.18
12	19.08	9.75	17.55	2.97	32.16	35.33	22.48	21.20	1.57	3.18
14	22.25	9.75	17.55	2.97	35.33	38.51	25.65	24.18	1.57	3.18
16	25.43	9.75	17.55	2.97	38.51	41.68	28.83	27.33	1.57	3.18
18	28.60	9.75	17.55	2.97	41.68	44.86	32.00	30.51	1.57	3.18
20	31.78	11.33	22.33	3.76	46.43	49.63	35.18	33.69	1.57	6.35
22	34.95	11.33	22.33	3.76	49.63	52.78	38.35	36.86	1.57	6.35
24	38.12	12.17	23.16	3.76	52.78	55.96	41.53	40.03	1.57	6.35

No.	Name	Material/Finish	Remarks
1	Shell	Aluminum	
2	Insert	Neoprene	
3	Contact	Copper Alloy	Ni 100μ" - Au 50μ"
4	Locking Post	304 Stainless Steel	
5	Jam Nut	Aluminum	
6	Gasket Ring	Neoprene	

UNLESS NOTED TOLERANCES ARE:
.X ± 0.38
.XX ± 0.25
ANGLES ± 1°



1170 S. PATTON ST.
XENIA, OHIO 45385
PH: (937) 374-2700
FX: (937) 374-2717

UNIT: mm	DRWN: RLM	THESE DRAWINGS AND SPECIFICATIONS ARE THE PROPERTY OF SPI AND SHALL NOT BE COPIED, USED OR RE-PRODUCED WITHOUT PERMISSION.	TITLE	
SCALE: NTS	DATE: 01/29/14		MIL-DTL-26482 Jam Nut Receptacle	
	CHK'D: RLM		SPI P/N: MS3114EXX-XXXX	REV: A
SHEET: 1 OF 1	APV'D: RLM		CUSTOMER P/N:	