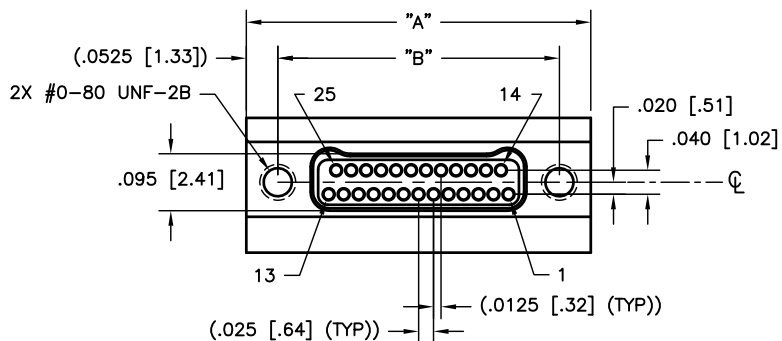
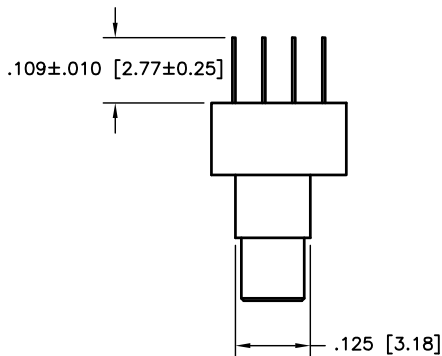
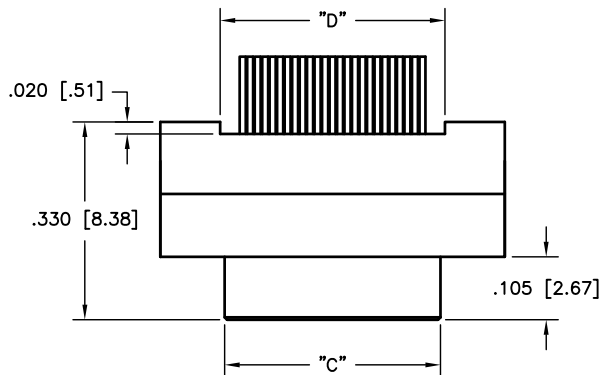
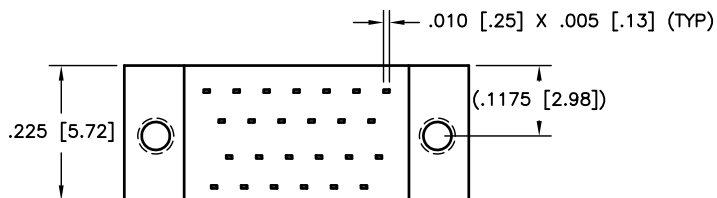


10 9 8 7 6 5 4 3 2

PART REV	DWG ISSUE	DATE	ECN NO.	APPVD BY	REL BY
-	-	02/17/11			



PART NO.	SIZE	"A"	"B"	"C"	"D"
832311617	9	.375 [9.52]	.270 [6.86]	.160 [4.06]	.175 [4.44]
832321617	15	.450 [11.43]	.345 [8.76]	.235 [5.97]	.250 [6.35]
832331617	21	.525 [13.33]	.420 [10.67]	.310 [7.87]	.325 [8.25]
832341617	25	.575 [14.60]	.470 [11.94]	.360 [9.14]	.375 [9.52]
832351617	31	.650 [16.51]	.545 [13.84]	.435 [11.05]	.450 [11.43]
832361617	37	.725 [18.41]	.620 [15.75]	.510 [12.95]	.525 [13.33]
832371617	51	.900 [22.86]	.795 [20.19]	.685 [17.40]	.700 [17.78]
832381617	65	1.075 [27.30]	.970 [24.64]	.860 [21.84]	.875 [22.22]

3. PERFORMANCE: MEETS OR EXCEEDS M32139 PERFORMANCE SPECIFICATIONS
 CONTACT RATING: 1 AMPERE MAXIMUM
 INSULATION RESISTANCE: 5000 MEGOHMS MINIMUM @ 100 VDC
 CONTACT RESISTANCE: 0.021 VOLT MAXIMUM DROP @ 1.0 AMPS (.021 OHMS)

2. MATERIALS: SHELL: ALUMINUM 6061-T6, ELECTROLESS NICKEL PLATED PER AMS-C-26074
 INSULATOR: LCP (LIQUID CRYSTAL POLYMER) GLCP-30F
 CONTACT: BERYLLIUM COPPER PER ASTM B194, GOLD PLATED PER ASTM B488
 LEADS: Sn/Pb PLATED

1. MARKINGS: UMI, DATE CODE, UMI P/N AS SPACE PERMITS
 NOTES: UNLESS OTHERWISE SPECIFIED

QUALITY SYMBOLS MAJOR = CRITICAL = SPC =	UNLESS SPECIFIED: ALL DIMENSIONS IN INCHES GENERAL TOLERANCES: 3 PLACE ±.005 2 PLACE ±.010 ANGULAR ±2°	SCALE: 5:1 DWG SIZE: B DRAWN BY & DATE: UMI 03-09-10 CHECKED BY & DATE: APPROVED BY & DATE:	THIRD ANGLE PROJECTION REVISE ON CAD ONLY TITLE: NANO-D DUAL ROW CONNECTOR MALE, SIZE XX, CNM6LXX2P071-S01
	UMI-Mate CAGE CODE 58967	CAD FILENAME: SD-832361617.DWG PART NO.: SEE "TAB BLOCK" DRAWING NO.: SD-832361617	MATERIAL: Ulti-Mate Connector Inc. SHEET NO.: 1 OF 1
	THIS DRAWING CONTAINS INFORMATION THAT IS PROPRIETARY TO ULTI-MATE INCORPORATED AND SHOULD NOT BE USED WITHOUT WRITTEN PERMISSION.		
	REV: -		