

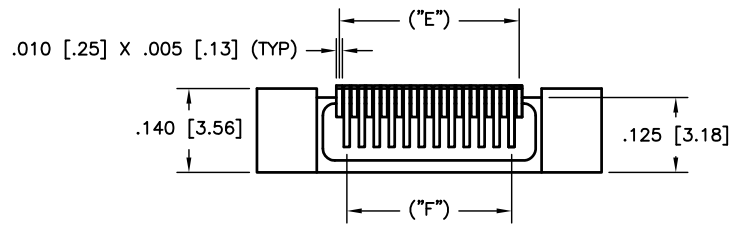
5

4

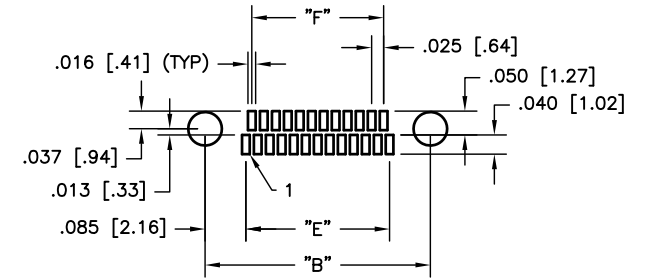
3

2

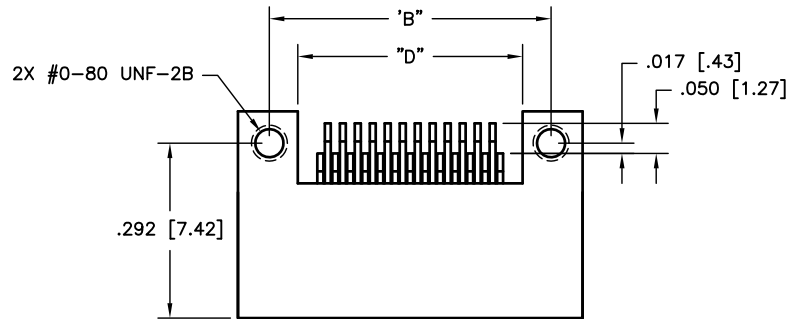
PART REV	DWG ISSUE	DATE	ECN NO.	APPVD BY	REL BY
-	-	02/17/11	UMI4306		



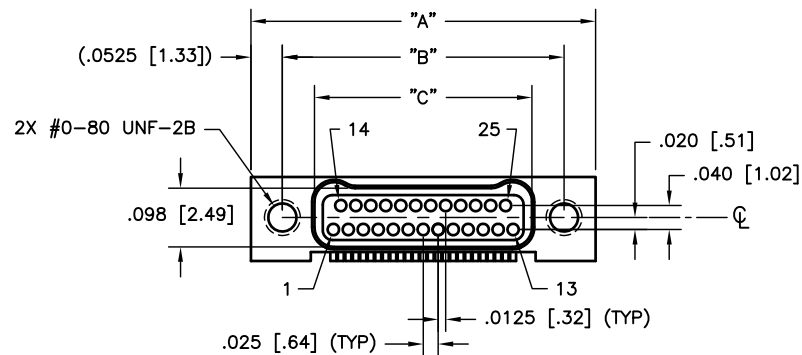
.140 [3.56] .125 [3.18]



RECOMMENDED PC BOARD LAYOUT
(COMPONENT SIDE)
SCALE 4:1



.345 [8.76]



PART NO.	SIZE	"A"	"B"	"C"	"D"	"E"	"F"
832411117	9	.375 [9.52]	.270 [6.86]	.163 [4.06]	.175 [4.44]	.100 [2.54]	.075 [1.90]
832421117	15	.450 [11.43]	.345 [8.76]	.238 [5.97]	.250 [6.35]	.175 [4.44]	.150 [3.81]
832431117	21	.525 [13.33]	.420 [10.67]	.313 [7.87]	.325 [8.25]	.250 [6.35]	.225 [5.71]
832441117	25	.575 [14.60]	.470 [11.94]	.363 [9.14]	.375 [9.52]	.300 [7.62]	.275 [6.98]
832451117	31	.650 [16.51]	.545 [13.84]	.438 [11.05]	.450 [11.43]	.375 [9.52]	.350 [8.89]
832461117	37	.725 [18.41]	.620 [15.75]	.513 [12.95]	.525 [13.33]	.450 [11.43]	.425 [10.79]
832471117	51	.900 [22.86]	.795 [20.19]	.688 [17.40]	.700 [17.78]	.625 [15.87]	.600 [15.24]
832481117	65	1.075 [27.30]	.970 [24.64]	.863 [21.84]	.875 [22.22]	.800 [20.32]	.775 [19.68]

3. PERFORMANCE: MEETS OR EXCEEDS M32139 PERFORMANCE SPECIFICATIONS
CONTACT RATING: 1 AMPERE MAXIMUM
INSULATION RESISTANCE: 5000 MEGOHMS MINIMUM @ 100 VDC
CONTACT RESISTANCE: 0.021 VOLT MAXIMUM DROP @ 1.0 AMPS (.021 OHMS)

2. MATERIALS: SHELL: ALUMINUM 6061-T6, ELECTROLESS NICKEL PLATED PER AMS-C-26074
INSULATOR: LCP (LIQUID CRYSTAL POLYMER) GLCP-30F
CONTACT: BERYLLIUM COPPER PER ASTM B194, GOLD PLATED PER ASTM B488
LEADS: Sn/Pb PLATED

1. MARKINGS: UMI, DATE CODE, UMI P/N AS SPACE PERMITS

NOTES: UNLESS OTHERWISE SPECIFIED

QUALITY SYMBOLS MAJOR = CRITICAL = SPC =	UNLESS SPECIFIED: ALL DIMENSIONS IN INCHES GENERAL TOLERANCES: 3 PLACE ±.005 2 PLACE ±.010 ANGULAR ±2°	SCALE 5:1 DWG SIZE B	THIRD ANGLE PROJECTION	REVISE ON CAD ONLY	
	DRAWN BY & DATE UMI 03-09-10	CHECKED BY & DATE	TITLE: NANO-D DUAL ROW CONNECTOR FEMALE, SIZE XX, CNM38LXX-2S071-S01		
	APPROVED BY & DATE	MATERIAL: 			
	CAD FILENAME SD-832441117.DWG	PART NO. SEE "TAB BLOCK"	DRAWING NO. SD-832441117	SHEET NO. 1 OF 1	REV -

THIS DRAWING CONTAINS INFORMATION THAT IS PROPRIETARY TO ULTI-MATE INCORPORATED AND SHOULD NOT BE USED WITHOUT WRITTEN PERMISSION.

Ulti-Mate CAGE CODE
58967