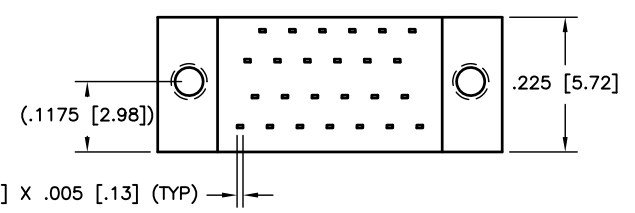
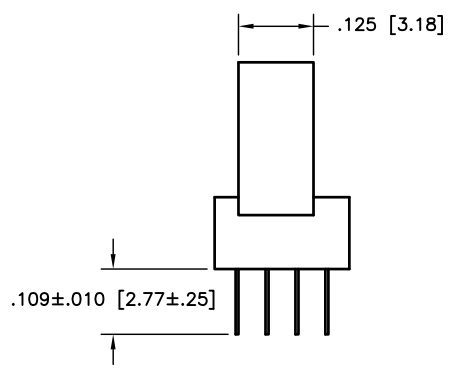
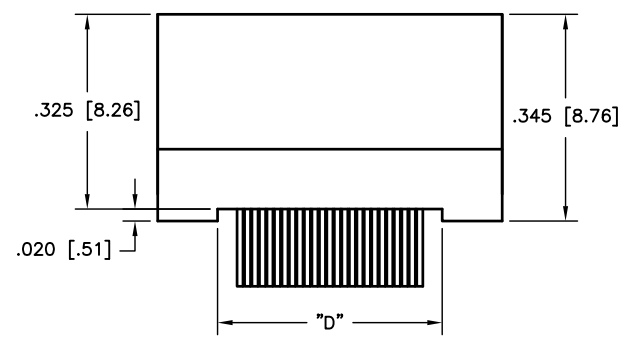
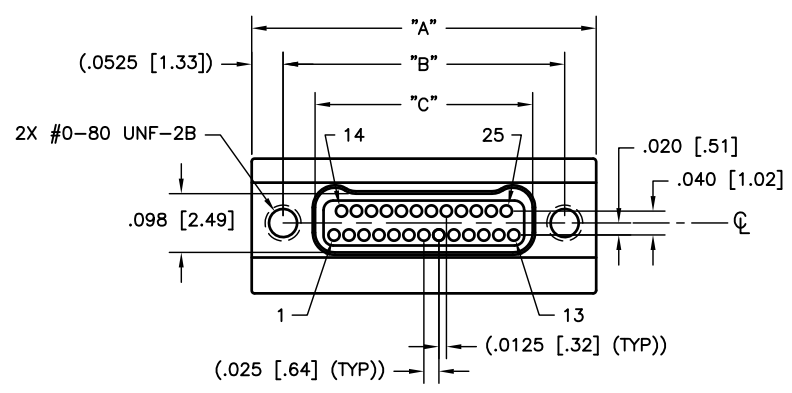


PART REV		DWG ISSUE	DATE	ECN NO.		APPVD BY	REL BY
-	-	-	02/17/11				



PART NO.	SIZE	"A"	"B"	"C"	"D"
832411617	9	.375 [9.52]	.270 [6.86]	.163 [4.06]	.175 [4.44]
832421617	15	.450 [11.43]	.345 [8.76]	.238 [5.97]	.250 [6.35]
832431617	21	.525 [13.33]	.420 [10.67]	.313 [7.87]	.325 [8.25]
832441617	25	.575 [14.60]	.470 [11.94]	.363 [9.14]	.375 [9.52]
832451617	31	.650 [16.51]	.545 [13.84]	.438 [11.05]	.450 [11.43]
832461617	37	.725 [18.41]	.620 [15.75]	.513 [12.95]	.525 [13.33]
832471617	51	.900 [22.86]	.795 [20.19]	.688 [17.40]	.700 [17.78]
832481617	65	1.075 [27.30]	.970 [24.64]	.863 [21.84]	.875 [22.22]

- PERFORMANCE: MEETS OR EXCEEDS M32139 PERFORMANCE SPECIFICATIONS  
 CONTACT RATING: 1 AMPERE MAXIMUM  
 INSULATION RESISTANCE: 5000 MEGOHMS MINIMUM @ 100 VDC  
 CONTACT RESISTANCE: 0.021 VOLT MAXIMUM DROP @ 1.0 AMPS (.021 OHMS)
- MATERIALS: SHELL: ALUMINUM 6061-T6, ELECTROLESS NICKEL PLATED PER AMS-C-26074  
 INSULATOR: LCP (LIQUID CRYSTAL POLYMER) GLCP-30F  
 CONTACT: BERYLLIUM COPPER PER ASTM B194, GOLD PLATED PER ASTM B488  
 LEADS: Sn/Pb PLATED
- MARKINGS: UMI, DATE CODE, UMI P/N

NOTES: UNLESS OTHERWISE SPECIFIED

<b>QUALITY SYMBOLS</b> MAJOR = CRITICAL = SPC =	<b>UNLESS SPECIFIED:</b> ALL DIMENSIONS IN INCHES <b>GENERAL TOLERANCES:</b> 3 PLACE ±.005 2 PLACE ±.010 ANGULAR ±2°	<b>SCALE</b> 5:1 <b>DWG SIZE</b> B	<b>THIRD ANGLE PROJECTION</b> 	<b>REVISE ON CAD ONLY</b>
	<b>DRAWN BY &amp; DATE</b> UMI 03-09-10 <b>CHECKED BY &amp; DATE</b>	<b>TITLE:</b> NANO-D DUAL ROW CONNECTOR FEMALE, SIZE XX, CNM6LXX-2S071-S01		
	<b>APPROVED BY &amp; DATE</b>	<b>MATERIAL:</b> 		
	<b>CAGE CODE</b> Ulti-Mate 58967	<b>CAD FILENAME</b> SD-832461317.DWG <b>PART NO.</b> SEE "TAB BLOCK" <b>DRAWING NO.</b> SD-832461317 <b>SHEET NO.</b> 1 OF 1	<b>THIS DRAWING CONTAINS INFORMATION THAT IS PROPRIETARY TO ULTI-MATE INCORPORATED AND SHOULD NOT BE USED WITHOUT WRITTEN PERMISSION.</b>	