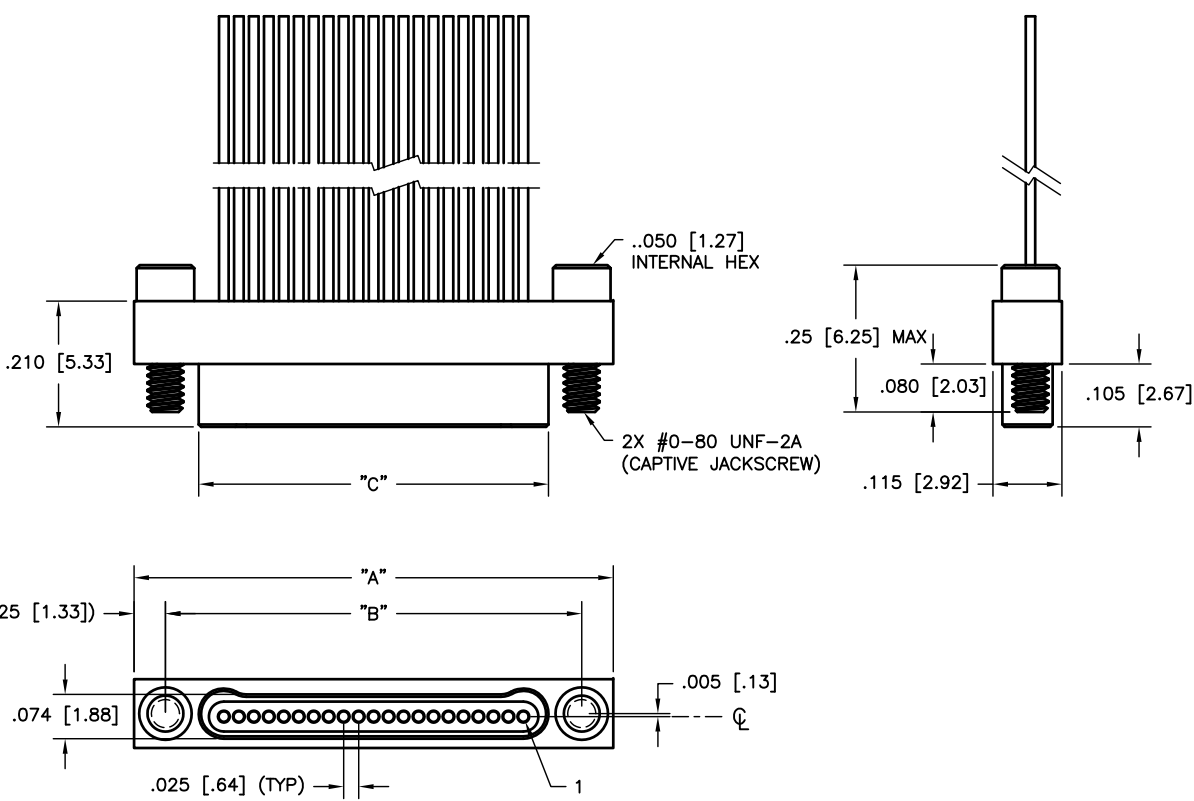


10 9 8 7 6 5 4 3 2

PART REV	DWG ISSUE	DATE	ECN NO.	APPVD BY	REL BY
-	-				

WIRING COLOR CODE

1, 11, 21	—	BLACK
2, 12	—	BROWN
3, 13	—	RED
4, 14	—	ORANGE
5, 15	—	YELLOW
6, 16	—	GREEN
7, 17	—	BLUE
8, 18	—	VIOLET
9, 19	—	GRAY
10, 20	—	WHITE



PART NO.	SIZE	"A"	"B"	"C"
833111622	9	.500 [12.70]	.395 [10.03]	.284 [7.21]
833121622	15	.650 [16.51]	.545 [13.84]	.434 [11.02]
833131622	21	.800 [20.32]	.695 [17.65]	.584 [14.83]
833141622	25	.900 [22.86]	.795 [20.19]	.684 [17.37]
833151622	31	1.050 [26.67]	.945 [24.00]	.834 [21.18]
833161622	37	1.200 [30.48]	1.095 [27.81]	.984 [24.99]
833171622	51	1.550 [39.37]	1.445 [36.70]	1.334 [33.88]

3. PERFORMANCE: MEETS OR EXCEEDS M32139 PERFORMANCE SPECIFICATIONS
 CONTACT RATING: 1 AMPERE MAXIMUM
 INSULATION RESISTANCE: 5000 MEGOHMS MINIMUM @ 100 VDC
 CONTACT RESISTANCE: 0.071 VOLT MAXIMUM DROP @ 1.0 AMPS (.071 OHMS) W/6.00" OF WIRE LISTED BELOW, PER MIL-DTL-32139
2. MATERIALS: SHELL: ALUMINUM 6061-T6, ELECTROLESS NICKEL PLATED PER AMS-C-26074
 INSULATOR: LCP (LIQUID CRYSTAL POLYMER) GLCP-30F
 CONTACT: BERYLLIUM COPPER PER ASTM B194, GOLD PLATED PER ASTM B488
 LEADS: 30 AWG, NEMA HP3, TYPE ET, COLOR CODED PER MIL-DTL-681, SYSTEM 1, EXCEPT USING 10 SOLID REPEATING COLORS, 18.0" +0.5/-0 LONG
 HARDWARE: 303 STAINLESS PER ASTM 582
1. MARKINGS: UMI, DATE CODE, UMI P/N AS SPACE PERMITS

NOTES: UNLESS OTHERWISE SPECIFIED

QUALITY SYMBOLS MAJOR = CRITICAL = SPC =	UNLESS SPECIFIED: ALL DIMENSIONS IN INCHES GENERAL TOLERANCES: 3 PLACE ±.005 2 PLACE ±.010 ANGULAR ±2°	SCALE 5:1 DWG SIZE B DRAWN BY & DATE UMI 03-09-10 CHECKED BY & DATE APPROVED BY & DATE	THIRD ANGLE PROJECTION REVISE ON CAD ONLY	
	UMI-Mate CAGE CODE 58967	TITLE: NANO-D SINGLE ROW CONNECTOR MALE, SIZE XX, NMLXX-1P02-30F6-18.0 S01 MATERIAL:	UMI-Mate Connector Inc. PART NO. SEE "TAB BLOCK" DRAWING NO. SD-833131622 SHEET NO. 1 OF 1	
	THIS DRAWING CONTAINS INFORMATION THAT IS PROPRIETARY TO ULTI-MATE INCORPORATED AND SHOULD NOT BE USED WITHOUT WRITTEN PERMISSION.	REV -		