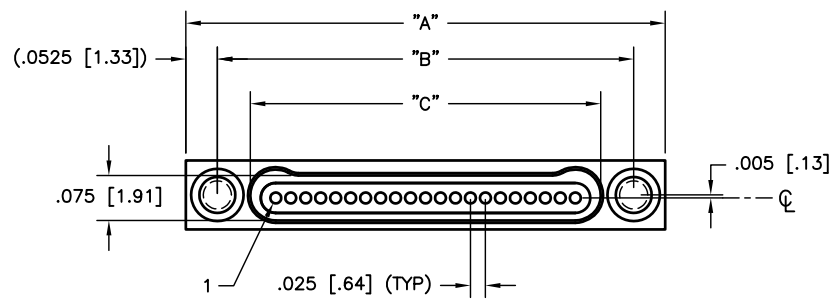
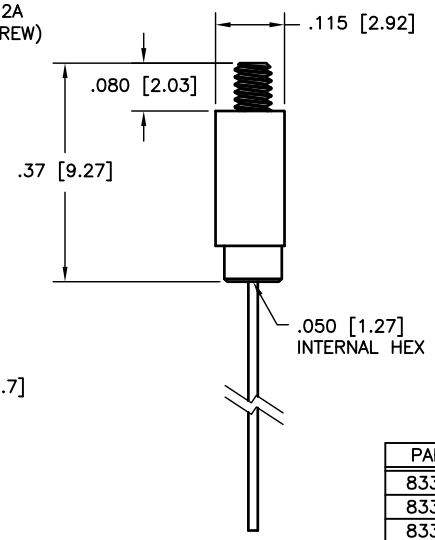
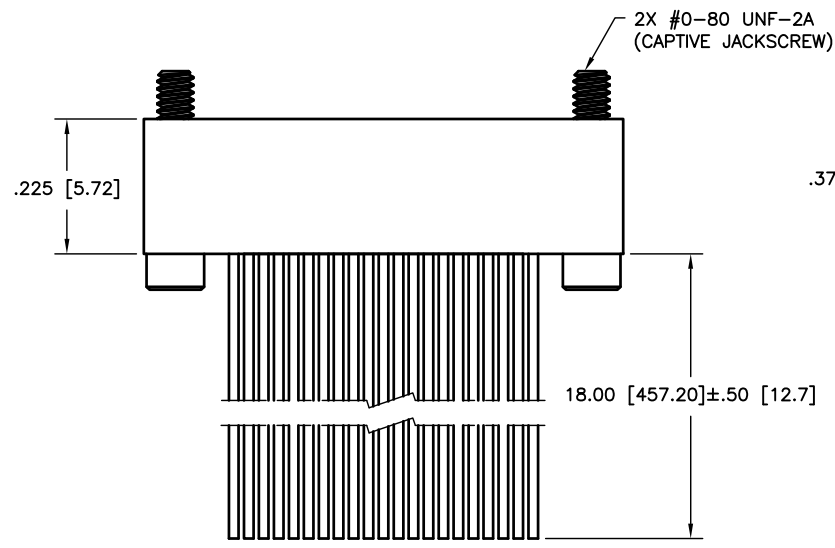


3		2			
PART REV	DWG ISSUE	DATE	ECN NO.	APPVD BY	REL BY
-	-				



WIRING COLOR CODE

1, 11, 21	—	BLACK
2, 12	—	BROWN
3, 13	—	RED
4, 14	—	ORANGE
5, 15	—	YELLOW
6, 16	—	GREEN
7, 17	—	BLUE
8, 18	—	VIOLET
9, 19	—	GRAY
10, 20	—	WHITE



PART NO.	SIZE	"A"	"B"	"C"
833211622	9	.500 [12.70]	.395 [10.03]	.285 [7.24]
833221622	15	.650 [16.51]	.545 [13.84]	.435 [11.05]
833231622	21	.800 [20.32]	.695 [17.65]	.585 [14.86]
833241622	25	.900 [22.86]	.795 [20.19]	.685 [17.40]
833251622	31	1.050 [26.67]	.945 [24.00]	.835 [21.21]
833261622	37	1.200 [30.48]	1.095 [27.81]	.985 [25.02]
833271622	51	1.550 [39.37]	1.445 [36.70]	1.335 [33.91]

3. PERFORMANCE: MEETS OR EXCEEDS M32139 PERFORMANCE SPECIFICATIONS  
 CONTACT RATING: 1 AMPERE MAXIMUM  
 INSULATION RESISTANCE: 5000 MEGOHMS MINIMUM @ 100 VDC  
 CONTACT RESISTANCE: 0.071 VOLT MAXIMUM DROP @ 1.0 AMPS (.071 OHMS)  
 W/6.00" OF WIRE LISTED BELOW, PER MIL-DTL-32139
2. MATERIALS: SHELL: ALUMINUM 6061-T6, ELECTROLESS NICKEL PLATED PER AMS-C-26074  
 INSULATOR: LCP (LIQUID CRYSTAL POLYMER) GLCP-30F  
 CONTACT: BRASS ALLOY 735, GOLD PLATED PER ASTM B488  
 LEADS: 30 AWG, NEMA HP3, TYPE ET, COLOR CODED PER MIL-DTL-681, SYSTEM 1,  
 EXCEPT USING 10 SOLID REPEATING COLORS, 18.0" +0.5/-0 LONG  
 HARDWARE: 303 STAINLESS PER ASTM 582

1. MARKINGS: UMI, DATE CODE, UMI P/N AS SPACE PERMITS

NOTES: UNLESS OTHERWISE SPECIFIED

<b>QUALITY SYMBOLS</b> MAJOR = CRITICAL = SPC =	UNLESS SPECIFIED: ALL DIMENSIONS IN INCHES	SCALE 5:1	DWG SIZE B	THIRD ANGLE PROJECTION	REVISE ON CAD ONLY	
	GENERAL TOLERANCES: 3 PLACE ±.005 2 PLACE ±.010 ANGULAR ±2'	DRAWN BY & DATE UMI 03-09-10	TITLE: NANO-D SINGLE ROW CONNECTOR			
		CHECKED BY & DATE	FEMALE, SIZE XX, NMLXX-1S02-30F6-18.0 S01			
		APPROVED BY & DATE	MATERIAL: Ulti-Mate Connector Inc.			
	Ulti-Mate CAGE CODE 58967	CAD FILENAME SD-833231622.DWG	PART NO. SEE "TAB BLOCK"	DRAWING NO. SD-833231622	SHEET NO. 1 OF 1	
THIS DRAWING CONTAINS INFORMATION THAT IS PROPRIETARY TO ULTI-MATE INCORPORATED AND SHOULD NOT BE USED WITHOUT WRITTEN PERMISSION.					REV -	