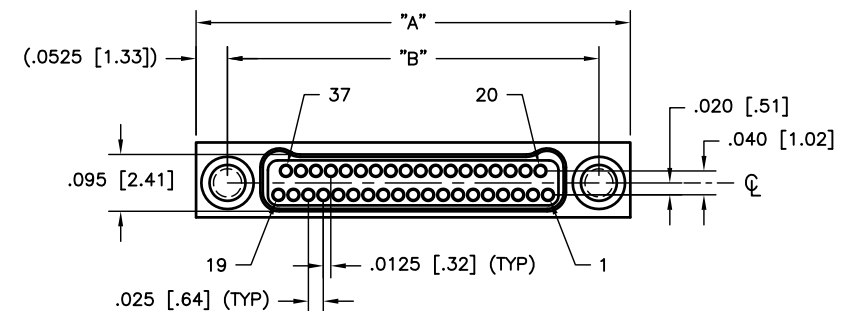
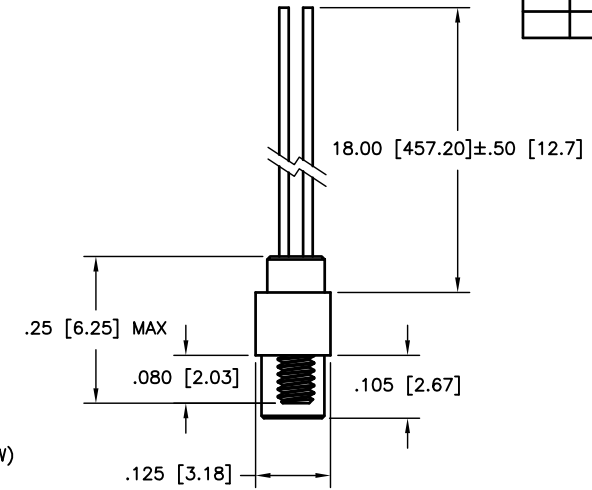
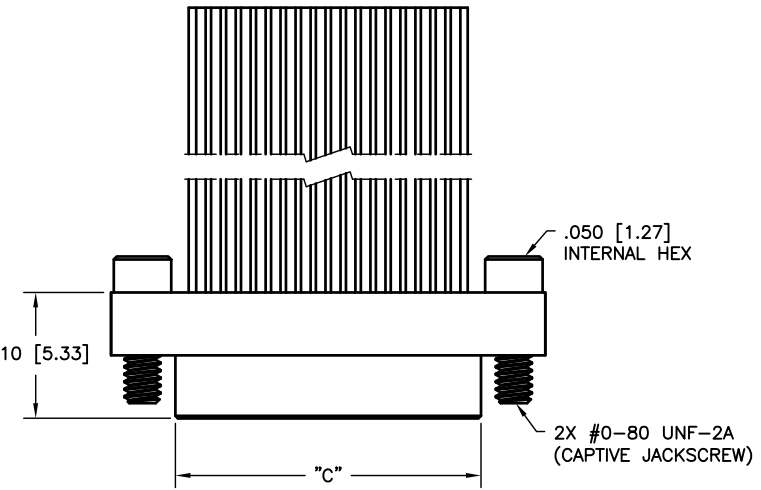


PART REV		DWG ISSUE	DATE	ECN NO.	APPVD BY	REL BY
-	-	-	02/17/11	UMI4304		

WIRING COLOR CODE

1, 11, 21, 31	—	BLACK
2, 12, 22, 32	—	BROWN
3, 13, 23, 33	—	RED
4, 14, 24, 34	—	ORANGE
5, 15, 25, 35	—	YELLOW
6, 16, 26, 36	—	GREEN
7, 17, 27, 37	—	BLUE
8, 18, 28	—	VIOLET
9, 19, 29	—	GRAY
10, 20, 30	—	WHITE



PART NO.	SIZE	"A"	"B"	"C"
833311622	9	.375 [9.52]	.270 [6.86]	.160 [4.06]
833321622	15	.450 [11.43]	.345 [8.76]	.235 [5.97]
833331622	21	.525 [13.33]	.420 [10.67]	.310 [7.87]
833341622	25	.575 [14.60]	.470 [11.94]	.360 [9.14]
833351622	31	.650 [16.51]	.545 [13.84]	.435 [11.05]
833361622	37	.725 [18.41]	.620 [15.75]	.510 [12.95]
833371622	51	.900 [22.86]	.795 [20.19]	.685 [17.40]
833381622	65	1.075 [27.30]	.970 [24.64]	.860 [21.84]

3. PERFORMANCE: MEETS OR EXCEEDS M32139 PERFORMANCE SPECIFICATIONS
 CONTACT RATING: 1 AMPERE MAXIMUM
 INSULATION RESISTANCE: 5000 MEGOHMS MINIMUM @ 100 VDC
 CONTACT RESISTANCE: 0.071 VOLT MAXIMUM DROP @ 1.0 AMPS (.071 OHMS)
 W/6.00" OF WIRE LISTED BELOW, PER MIL-DTL-32139
2. MATERIALS: SHELL: ALUMINUM 6061-T6, ELECTROLESS NICKEL PLATED PER AMS-C-26074
 INSULATOR: LCP (LIQUID CRYSTAL POLYMER) GLCP-30F
 CONTACT: BERYLLIUM COPPER PER ASTM B194, GOLD PLATED PER ASTM B488
 LEADS: 30 AWG, NEMA HP3, TYPE ET, COLOR CODED PER MIL-DTL-681, SYSTEM 1,
 EXCEPT USING 10 SOLID REPEATING COLORS, 18.0" +0.5/-0 LONG
 HARDWARE: 303 STAINLESS PER ASTM 582
1. MARKINGS: UMI, DATE CODE, UMI P/N AS SPACE PERMITS

NOTES: UNLESS OTHERWISE SPECIFIED

QUALITY SYMBOLS MAJOR = CRITICAL = SPC =	UNLESS SPECIFIED: ALL DIMENSIONS IN INCHES GENERAL TOLERANCES: 3 PLACE ±.005 2 PLACE ±.010 ANGULAR ±2°	SCALE 5:1 DWG SIZE B	THIRD ANGLE PROJECTION 	REVISE ON CAD ONLY	
	DRAWN BY & DATE UMI 03-09-10	CHECKED BY & DATE	TITLE: NANO-D DUAL ROW CONNECTOR MALE, SIZE XX, NMLXX-2P02-30F6-18.0 S01	MATERIAL: 	
	APPROVED BY & DATE	CAD FILENAME SD-833361622.DWG	PART NO. SEE "TAB BLOCK"	DRAWING NO. SD-833361622	SHEET NO. 1 OF 1
	Ulti-Mate CAGE CODE 58967	THIS DRAWING CONTAINS INFORMATION THAT IS PROPRIETARY TO ULTI-MATE INCORPORATED AND SHOULD NOT BE USED WITHOUT WRITTEN PERMISSION.			REV -