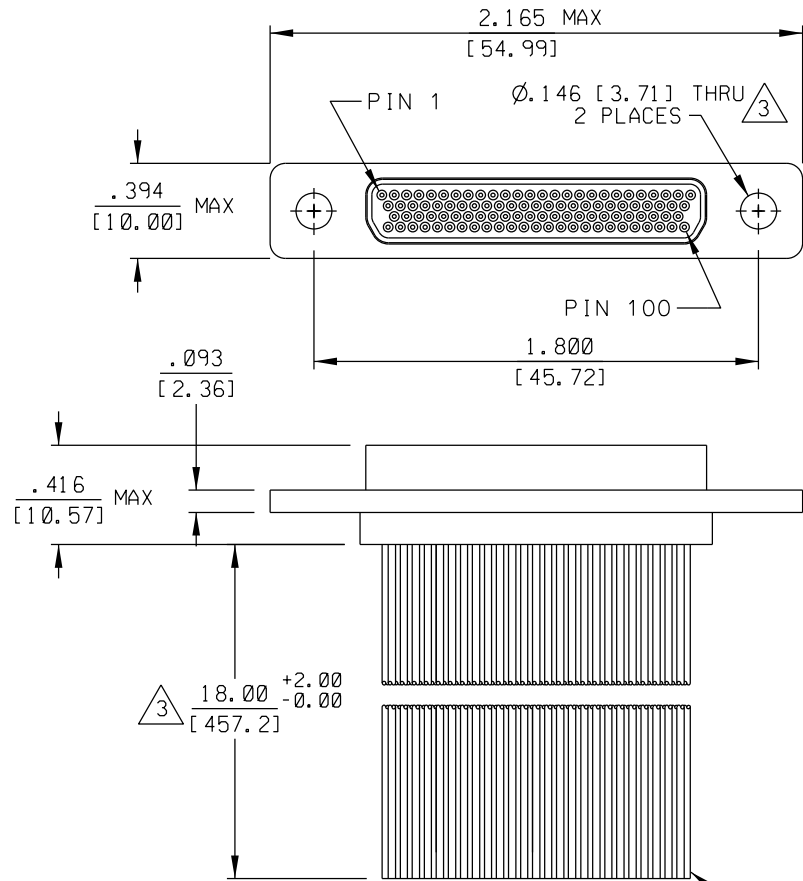


PART REV	DWG ISSUE	DATE	ECN NO.	APPVD BY	REL BY



1	BLK
2	BRN
3	RED
4	ORG
5	YEL
6	GRN
7	BLU
8	VIO
9	GRY
10	WHT
11	W/BLK
12	W/BRN
13	W/RED
14	W/ORG
15	W/YEL
16	W/GRN
17	W/BLU
18	W/VIO
19	W/GRY
20	W/BLK/BRN
21	W/BLK/RED
22	W/BLK/ORG
23	W/BLK/YEL
24	W/BLK/GRN
25	W/BLK/BLU

3 COLOR CODE (PER MIL-STD-681)

26	W/BLK/VIO	51	W/GRN/VIO	76	W/BLK/YEL/VIO
27	W/BLK/GRY	52	W/GRN/GRY	77	W/BLK/YEL/GRY
28	W/BRN/RED	53	W/BLU/VIO	78	W/BLK/GRN/BLU
29	W/BRN/ORG	54	W/BLU/GRY	79	W/BLK/GRN/VIO
30	W/BRN/YEL	55	W/VIO/GRY	80	W/BLK/GRN/GRY
31	W/BRN/GRN	56	W/BLK/BRN/RED	81	W/BLK/BLU/VIO
32	W/BRN/BLU	57	W/BLK/BRN/ORG	82	W/BLK/BLU/GRY
33	W/BRN/VIO	58	W/BLK/BRN/YEL	83	W/BLK/VIO/GRY
34	W/BRN/GRY	59	W/BLK/BRN/GRN	84	W/BRN/RED/ORG
35	W/RED/ORG	60	W/BLK/BRN/BLU	85	W/BRN/RED/YEL
36	W/RED/YEL	61	W/BLK/BRN/VIO	86	W/BRN/RED/GRN
37	W/RED/GRN	62	W/BLK/BRN/GRY	87	W/BRN/RED/BLU
38	W/RED/BLU	63	W/BLK/RED/ORG	88	W/BRN/RED/VIO
39	W/RED/VIO	64	W/BLK/RED/YEL	89	W/BRN/RED/GRY
40	W/RED/GRY	65	W/BLK/RED/GRN	90	W/BRN/ORG/YEL
41	W/ORG/YEL	66	W/BLK/RED/BLU	91	W/BRN/ORG/GRN
42	W/ORG/GRN	67	W/BLK/RED/VIO	92	W/BRN/ORG/BLU
43	W/ORG/BLU	68	W/BLK/RED/GRY	93	W/BRN/ORG/VIO
44	W/ORG/VIO	69	W/BLK/ORG/YEL	94	W/BRN/ORG/GRY
45	W/ORG/GRY	70	W/BLK/ORG/GRN	95	W/BRN/YEL/GRN
46	W/YEL/GRN	71	W/BLK/ORG/BLU	96	W/BRN/YEL/BLU
47	W/YEL/BLU	72	W/BLK/ORG/VIO	97	W/BRN/YEL/VIO
48	W/YEL/VIO	73	W/BLK/ORG/GRY	98	W/BRN/YEL/GRY
49	W/YEL/GRY	74	W/BLK/YEL/GRN	99	W/BRN/GRN/BLU
50	W/GRN/BLU	75	W/BLK/YEL/BLU	100	W/BRN/GRN/VIO

26 AWG TYPE 'E' WIRE PER NEMA HP3-EXBDB 3

4. PERFORMANCE: MEETS OR EXCEEDS REQUIREMENTS OF MIL-DTL-83513.

3 CONSULT FACTORY FOR AVAILABLE OPTIONS.

2 MATERIALS:
 SHELL: 6061-T6 ALUMINUM PER AMS-QQ-A200/8, NICKEL PLATED PER AMS 2404
 INSULATOR: PPS PER MIL-M-24519 GST-40F, COLOR: BLACK
 PIN CONTACTS: C172000 BERYLLIUM COPPER PER ASTM B194, GOLD PLATED PER ASTM B488

1. MARKING: 'UMI', UMI DATE CODE, UMI P/N.

NOTES: UNLESS OTHERWISE SPECIFIED.

QUALITY SYMBOLS MAJOR - 0 CRITICAL C - 0 SPC S - 0	UNLESS SPECIFIED: ALL DIMENSIONS IN INCHES/MM	SCALE 2:1	DWG SIZE B	THIRD ANGLE PROJECTION	REVISE ON CAD ONLY
	GENERAL TOLERANCES: 3 PLACE ±.005/.13 2 PLACE ±.01/.25 ANGULAR ±2°	DRAWN BY & DATE DW 10-11-11	CHECKED BY & DATE	TITLE: MICRO-D PLUG (PINS), SIZE 100, WIRED, MR100P0-26E5-18.0-S01	
	Uti-Mate CAGE CODE 58967	APPROVED BY & DATE	MATERIAL: 2 3 Uti-Mate Connector Inc.		SHEET NO. 1 OF 1
		CAD FILENAME SD-834181070.DGN	PART NO. 834181070	DRAWING NO. SD-834181070	REV

THIS DRAWING CONTAINS INFORMATION THAT IS PROPRIETARY TO ULTI-MATE INCORPORATED AND SHOULD NOT BE USED WITHOUT WRITTEN PERMISSION.