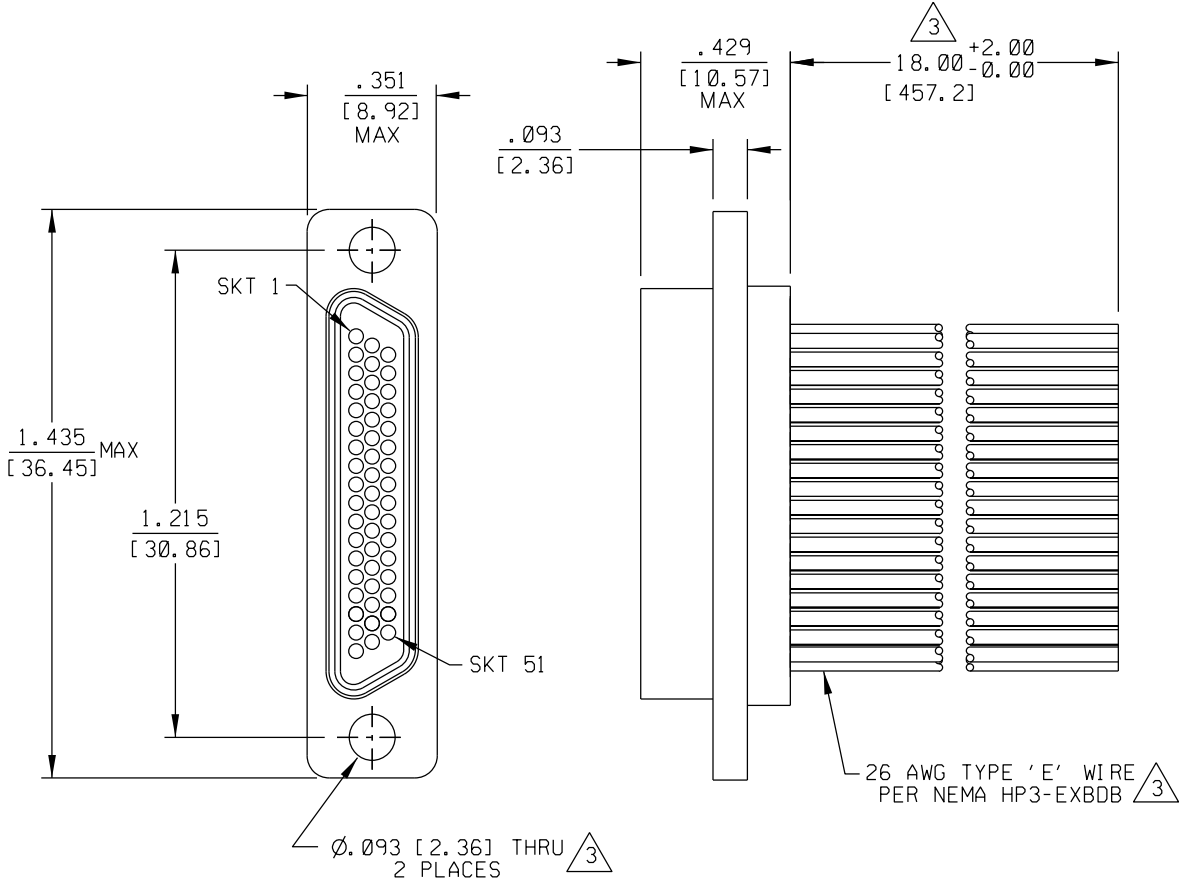


PART REV	DWG ISSUE	DATE	ECN NO.	APPVD BY	REL BY

COLOR CODE (PER MIL-STD-681)  $\triangle 3$

1	BLK	26	W/BLK/VIO
2	BRN	27	W/BLK/GRY
3	RED	28	W/BRN/RED
4	ORG	29	W/BRN/ORG
5	YEL	30	W/BRN/YEL
6	GRN	31	W/BRN/GRN
7	BLU	32	W/BRN/BLU
8	VIO	33	W/BRN/VIO
9	GRY	34	W/BRN/GRY
10	WHT	35	W/RED/ORG
11	W/BLK	36	W/RED/YEL
12	W/BRN	37	W/RED/GRN
13	W/RED	38	W/RED/BLU
14	W/ORG	39	W/RED/VIO
15	W/YEL	40	W/RED/GRY
16	W/GRN	41	W/ORG/YEL
17	W/BLU	42	W/ORG/GRN
18	W/VIO	43	W/ORG/BLU
19	W/GRY	44	W/ORG/VIO
20	W/BLK/BRN	45	W/ORG/GRY
21	W/BLK/RED	46	W/YEL/GRN
22	W/BLK/ORG	47	W/YEL/BLU
23	W/BLK/YEL	48	W/YEL/VIO
24	W/BLK/GRN	49	W/YEL/GRY
25	W/BLK/BLU	50	W/GRN/BLU
		51	W/GRN/VIO



4. PERFORMANCE: MEETS OR EXCEEDS REQUIREMENTS OF MIL-DTL-83513.

$\triangle 3$  CONSULT FACTORY FOR AVAILABLE OPTIONS.

$\triangle 2$  MATERIALS:  
 SHELL: 6061-T6 ALUMINUM PER AMS-QQ-A200/8, NICKEL PLATED PER AMS 2404  
 INSULATOR: PPS PER MIL-M-24519 GST-40F, COLOR: BLACK  
 SOCKET CONTACTS: C21000 COPPER ALLOY PER ASTM B36, GOLD PLATED PER ASTM B488  
 INTERFACIAL SEAL: FLUOROSILICONE PER MIL-R-25988

1. MARKING: "UMI", UMI DATE CODE, UMI P/N.

NOTES: UNLESS OTHERWISE SPECIFIED.

QUALITY SYMBOLS MAJOR $\blacktriangledown$ = CRITICAL $\triangle C$ = SPC $\triangle S$ =	UNLESS SPECIFIED: ALL DIMENSIONS IN INCHES/MM	SCALE 3:1	DWG SIZE B	THIRD ANGLE PROJECTION	REVISE ON CAD ONLY
	GENERAL TOLERANCES: 3 PLACE $\pm .005 / .13$ 2 PLACE $\pm .01 / .25$ ANGULAR $\pm 2^\circ$	DRAWN BY & DATE DW 10-7-11		TITLE: MICRO-D RECEPTACLE (SKTS), SIZE 51, WIRED, MR51-350-26E5-18.0-S01	
	Ulti-Mate CAGE CODE <b>58967</b>	APPROVED BY & DATE		MATERIAL: $\triangle 2$ $\triangle 3$ Ulti-Mate Connector Inc.	
		CAD FILENAME SD-834271070.DGN	PART NO. 834271070	DRAWING NO. SD-834271070	SHEET NO. 1 OF 1

THIS DRAWING CONTAINS INFORMATION THAT IS PROPRIETARY TO ULTI-MATE INCORPORATED AND SHOULD NOT BE USED WITHOUT WRITTEN PERMISSION.