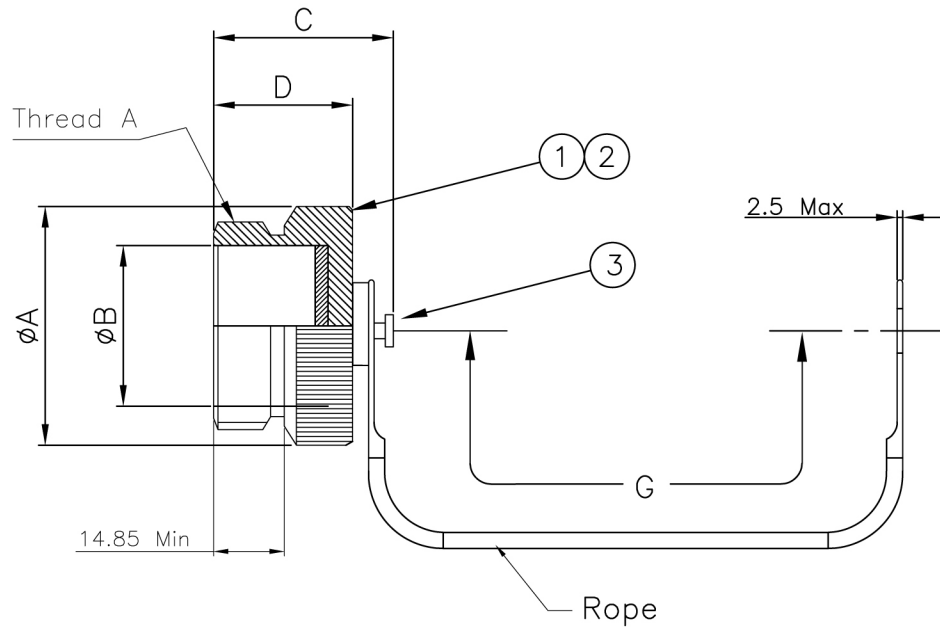
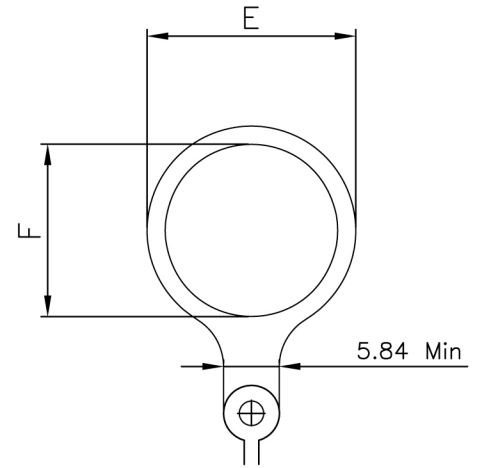


REVISIONS LIST				
REV	ECO #	DESCRIPTION	DATE	APV'D
A		Initial Release		



Style "R"

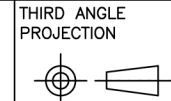


Style "N"

Shell Size	ØA MAX	ØB +0.0/-0.15	C Max	D ±2.00	E Max	F Min	G +13.0/-7.0	Thread "A" -2A (In Inches)
9	23.0	12.50	30.00	19.06	24.0	13.0	127.00	.6250-0.1P-0.3L-TS
11	26.0	15.75	30.00	19.06	27.0	18.0	127.00	.7500-0.1P-0.3L-TS
13	31.0	19.53	30.00	19.06	30.0	20.0	127.00	.8750-0.1P-0.3L-TS
15	33.0	22.71	30.00	19.06	31.0	23.0	127.00	1.0000-0.1P-0.3L-TS
17	37.0	25.88	30.00	19.06	37.0	26.0	127.00	1.1875-0.1P-0.3L-TS
19	40.0	28.55	30.00	19.06	40.0	29.0	127.00	1.2500-0.1P-0.3L-TS
21	44.0	31.72	30.00	19.06	44.0	32.0	127.00	1.3750-0.1P-0.3L-TS
23	46.0	34.90	30.00	19.06	46.0	34.0	127.00	1.5000-0.1P-0.3L-TS
25	50.0	38.07	30.00	19.06	49.0	39.0	127.00	1.6250-0.1P-0.3L-TS

No.	Name	Material/Finish	Remarks
1	Shell	Aluminum	
2	Seal	Silicone Rubber	
3	Fatener	Stainless Steel	
	Rope	7 Strand Stainless Steel	
	Ring	Stainless Steel	

UNLESS NOTED TOLERANCES ARE:
.X ± 0.38
.XX ± 0.25
ANGLES ± 1°



1170 S. PATTON ST.
XENIA, OHIO 45385
PH: (937) 374-2700
FX: (937) 374-2717

UNIT: mm	DRWN: RLM
SCALE: NTS	DATE: 03/19/13
	CHK'D: TRH
SHEET: 1 OF 1	APV'D: TRH

THESE DRAWINGS AND SPECIFICATIONS ARE THE PROPERTY OF SPT AND SHALL NOT BE COPIED, USED OR RE-PRODUCED WITHOUT PERMISSION.

TITLE 38999 Series III Plug Protective Cover	
SPI P / N : D38999/32XXXX	REV : A
CUSTOMER P / N : D38999/32XXXX	